

### Specifications:

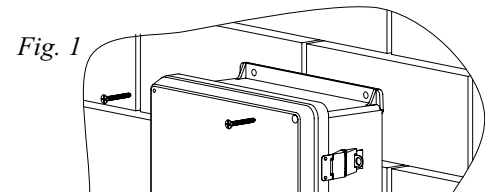
- NEMA 4/4X, IP66-11 Rated enclosure for outdoor use.
- Hot compression molded, halogen free, self extinguishing fiberglass reinforced polyester.
- Stainless steel continuous hinge and stainless steel padlockable latches.
- Product weight: 9 lb. (4.08 kg).
- Shipping weight: 10.5 lbs. (11.57 kg).

### Installation Instructions:

1. Remove backplane inside enclosure by removing the four (4) mounting screws.
2. Mark and drill desired knockouts on the enclosure to facilitate wiring.
3. Enclosure can be wall or pole mounted. See the detailed instructions below.
4. Mount circuit boards to backplane.
5. Secure backplane inside the enclosure with the four (4) mounting screws.
6. Mount unit in desired location with the appropriate fasteners utilizing the holes provided on the flanges (*Enclosure Dimensions, pg. 4*).

### Wall Mount Installation

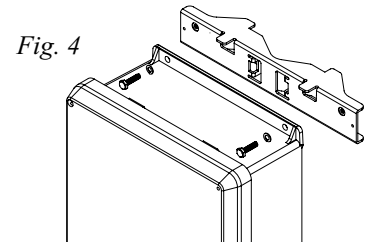
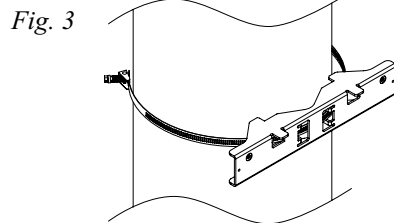
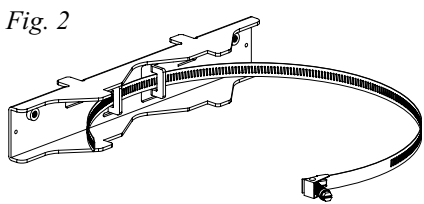
1. Place unit at the desired location and secure with mounting screws (*not included*) (*Fig. 1, pg. 1*).



### Pole Mounting Using Optional Pole Mount Kit PMK2 (*not included*):

This installation should be made by qualified service personnel. This product contains no serviceable parts. PMK2 is intended for use with Altronix outdoor rated power supplies or accessories housed in WP2 enclosures. Brackets are designed for use with the Wormgear Quick Release Straps (two included).

1. Thread one (1) wormgear quick release strap through the slots on the back of a mounting bracket (*Fig. 2*).
2. Once the desired height of the top Pole Mount bracket is achieved, tighten the straps down by sliding open end of the strap through the locking mechanism on the strap, then tighten the screw with flat head screwdriver or 5/16" hex socket driver (*Fig. 3*).
3. Attach the bottom bracket to the enclosure by inserting bolts through the flange of the enclosure and into the bracket, tightening bolts with a 7/16" hex socket (*Fig. 4*).



4. Thread the second wormgear quick release strap through the slots on the back of the bottom mounting bracket (*Fig. 5*).
5. Mount enclosure onto the top bracket by inserting bolts through flange of the enclosure and into the bracket, tightening bolts with a 7/16" hex socket (*Fig. 6*).
6. Tighten the straps of the bottom bracket down by sliding the open end of the strap through the locking mechanism on the strap, then tighten screw with flat head screwdriver or 5/16" hex socket driver (*Fig. 6/6a*).
7. Clip excess straps.

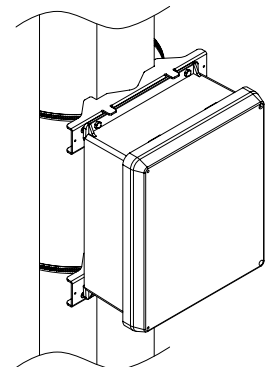
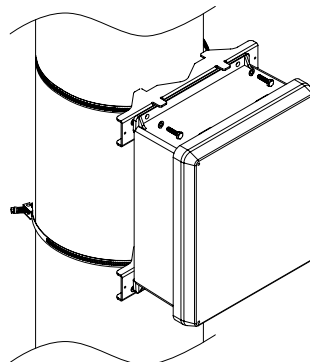
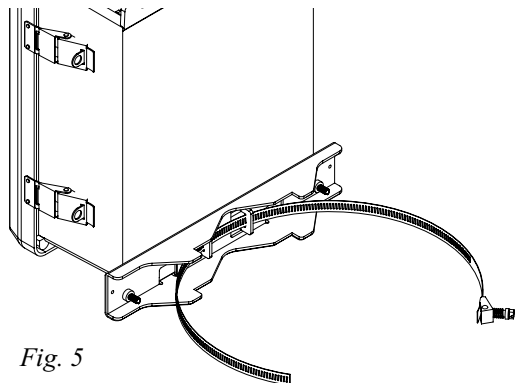
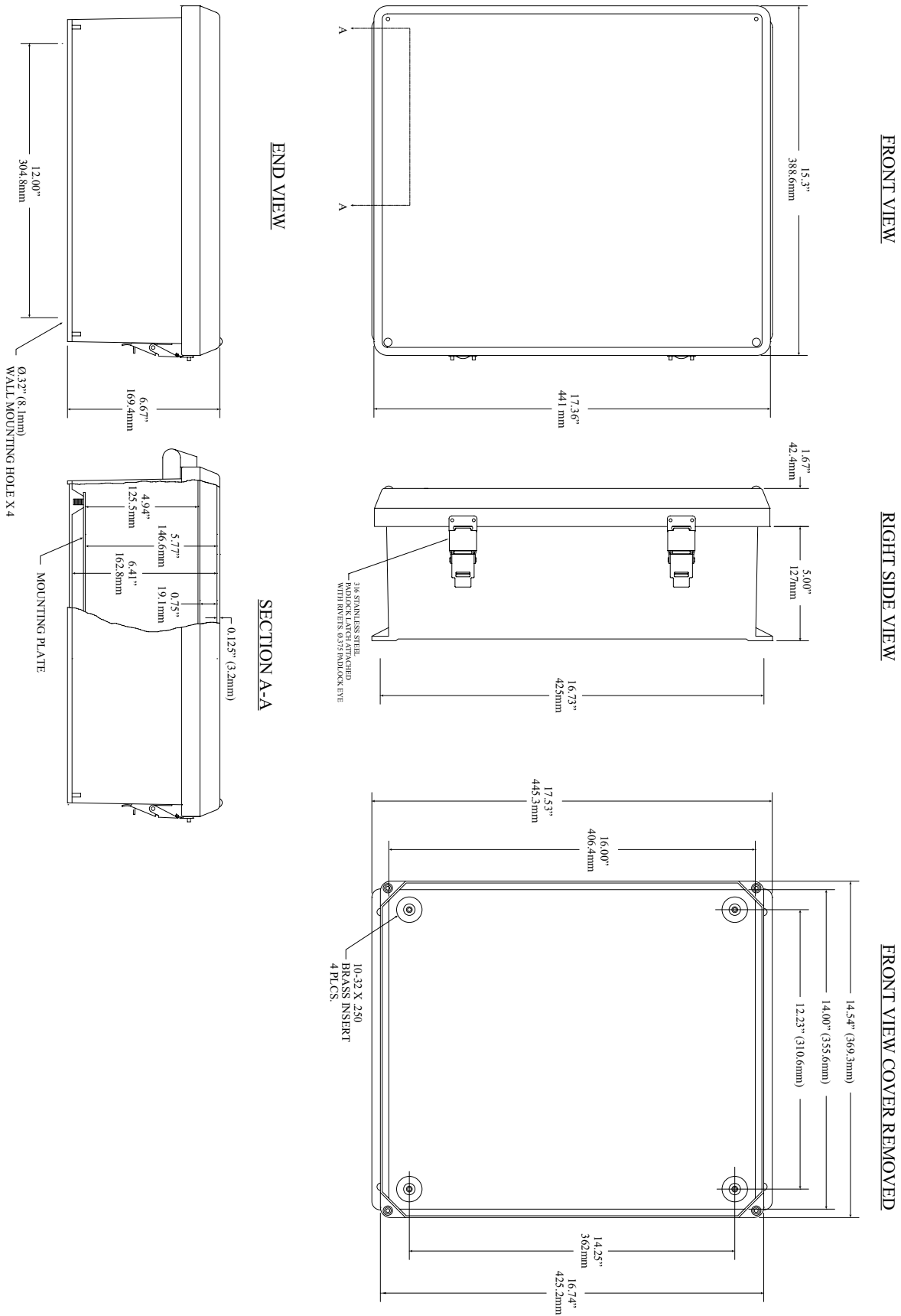


Fig. 5

Fig. 6  
2" to 8" (50.8mm to 203.2mm)  
diameter round pole

Fig. 6a  
5" (127mm) square pole

**Enclosure Dimensions (H x W x D approximate):**  
 17.53" x 15.3" x 6.67" (445.3mm x 388.6mm x 169.4mm)



Altronix is not responsible for any typographical errors. Product specifications are subject to change without notice.

140 58th Street, Brooklyn, New York 11220 USA | phone: 718-567-8181 | fax: 718-567-9056  
 website: www.altronix.com | e-mail: info@altronix.com | Made in U.S.A.  
 IIWP2 - Rev. 070918

G09R

