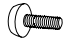




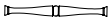
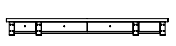

ASSEMBLY INSTRUCTION

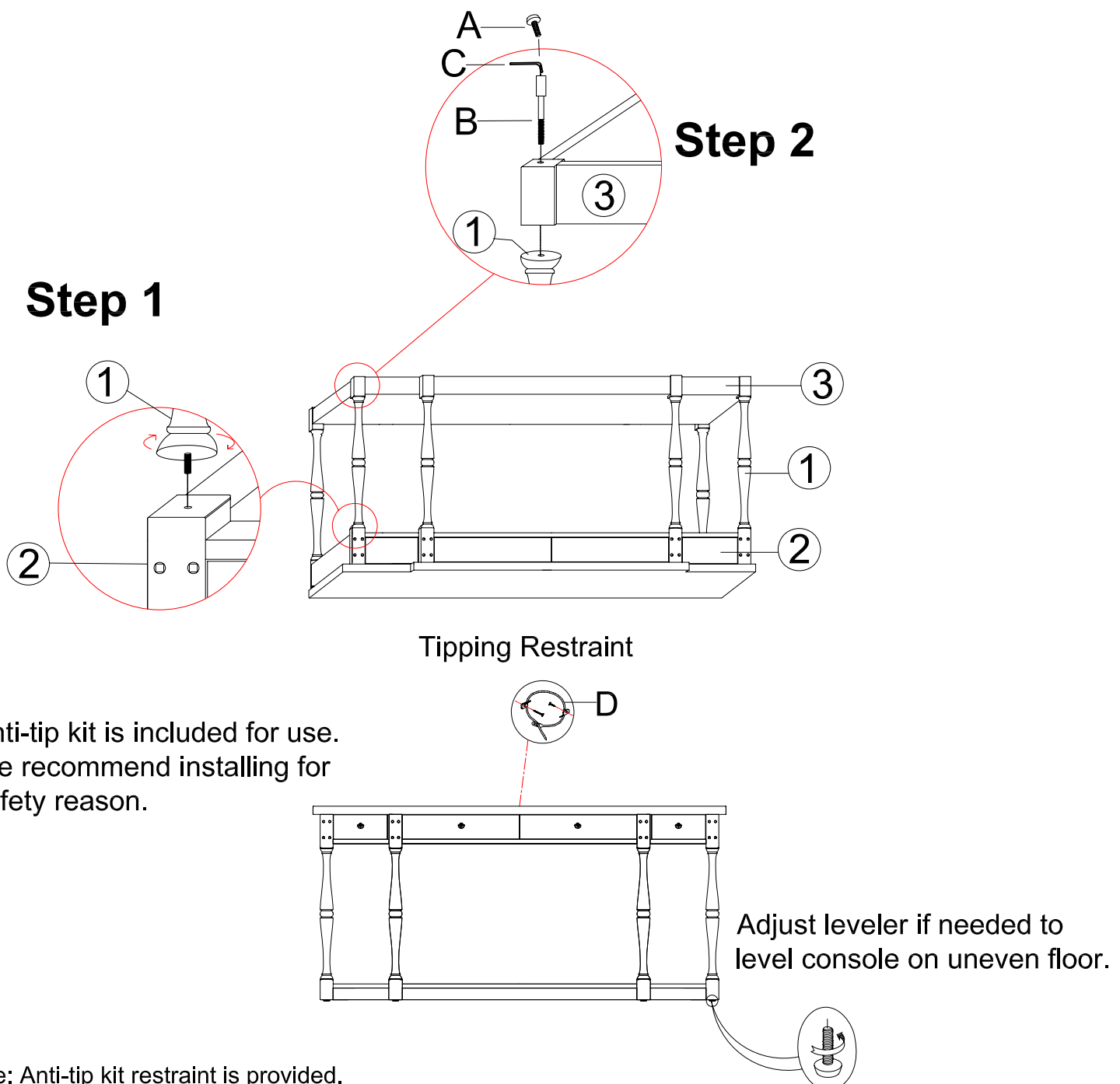
ITEM: 5405-85003 Four-Drawer Thin Console

Thank you for purchasing this quality product. Be sure to unpack carefully looking for small parts which may have come loose during shipment.

Read all instruction and study the drawing carefully before starting the assembly process.

HARDWARE PACK				
NO.	DRAWING	DESCRIPTION	SIZE	Q'TY
A		Leveler		6 PCS
B		Bolt	108mm*Ø14mm	6 PCS
C		Allen Wrench	100*40*10mm	1 PC
D		Anti - Tip Kit		1 PC

PARTS LIST			
NO.	DRAWING	DESCRIPTION	Q'TY
①		Post	6 PCS
②		Console Top With Drawers	1 PC
③		Bottom Panel	1 PC



Note: Anti-tip kit restraint is provided. Please follow the instructions enclosed with the pack.