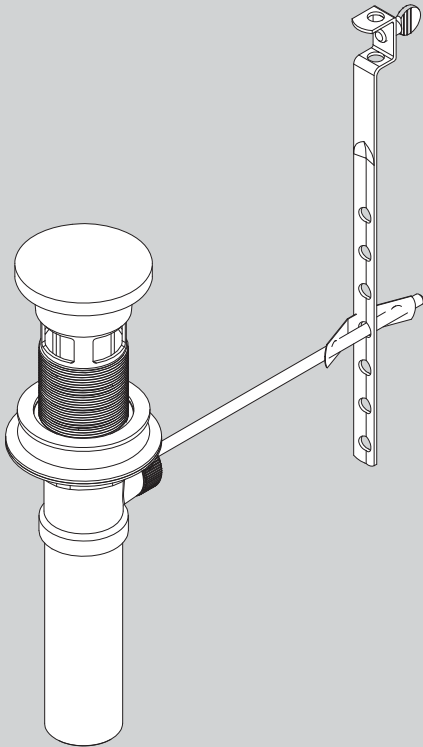


INSTRUCTIONS FOR MODELS


S-3357
POP UP DRAIN



NEED HELP?

For additional assistance or service please contact:

SPEAKMAN® Company
400 Anchor Mill Road
New Castle, DE 19720

 800-537-2107

 customerservice@speakmancompany.com

 www.speakmancompany.com

92-S-3357-01

TOOLS AND SUPPLIES

Slip Joint
Wrench



Plumber's
Putty



IMPORTANT



SAFETY TIPS



Be sure to wear eye protection.

MAINTENANCE



Your new Faucet Drain is designed for years of trouble-free performance. Keep it looking new by cleaning it periodically with a soft cloth. Avoid abrasive cleaners, steel wool, and harsh chemicals as these will dull the finish and void your warranty.

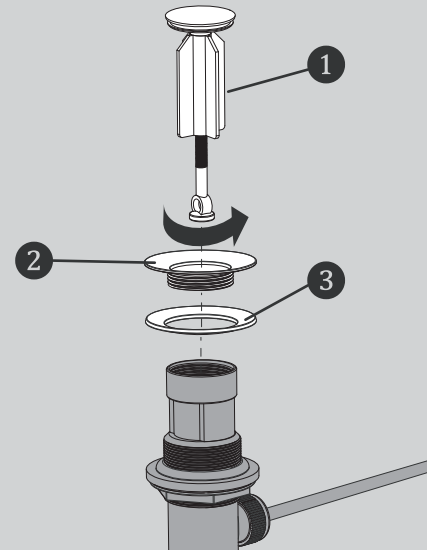
WARRANTY



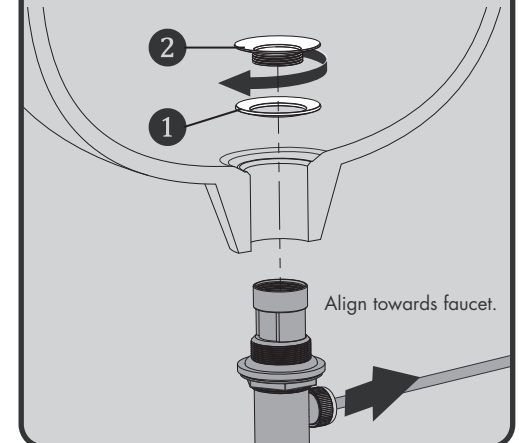
1 Year Limited Warranty

Additional warranty information can be found at:
www.speakmancompany.com

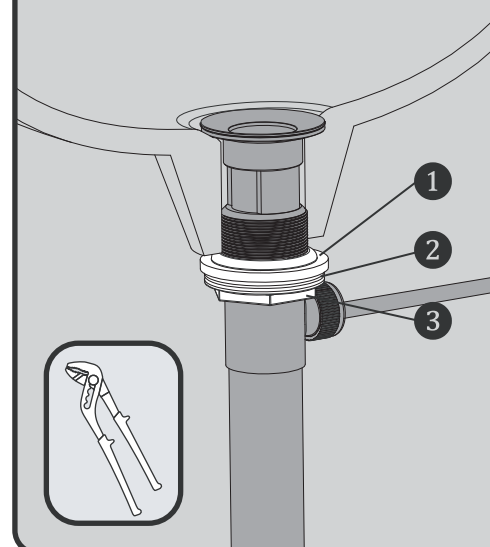
1 Remove Stopper **1**, Flange Nut **2**, and Flange Washer **3** from Drain Assembly.



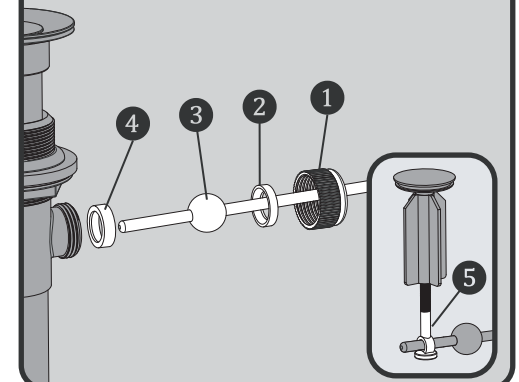
2 From beneath, insert Drain Assembly through drain hole in sink. Attach supplied Flange Washer **1** or plumber's putty to the underside of the Flange **2**. Secure Flange **2** to the Drain Assembly. Align the Drain Assembly as shown below.



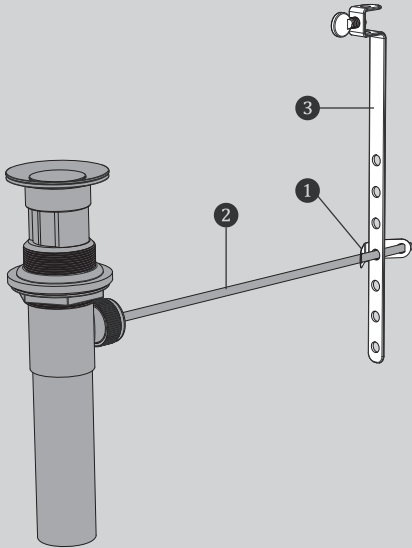
3 From beneath, secure Rubber Washer **1**, Plastic Washer **2**, and Mounting Nut **3**. Wrench tighten.



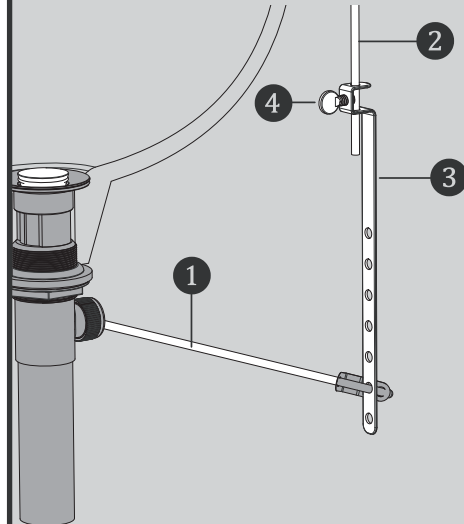
4 Remove Pivot Nut **1**, from Drain Assembly. Install Outer Pivot Washer **2**, and Pivot Rod **3**. Ensure that Inner Pivot Washer **4** is retained in Drain Assembly. Insert Pivot Rod into Drain Assembly and install Stopper **5** as non-removable. Secure Pivot Rod to Drain Assembly by tightening Pivot Nut **1**.



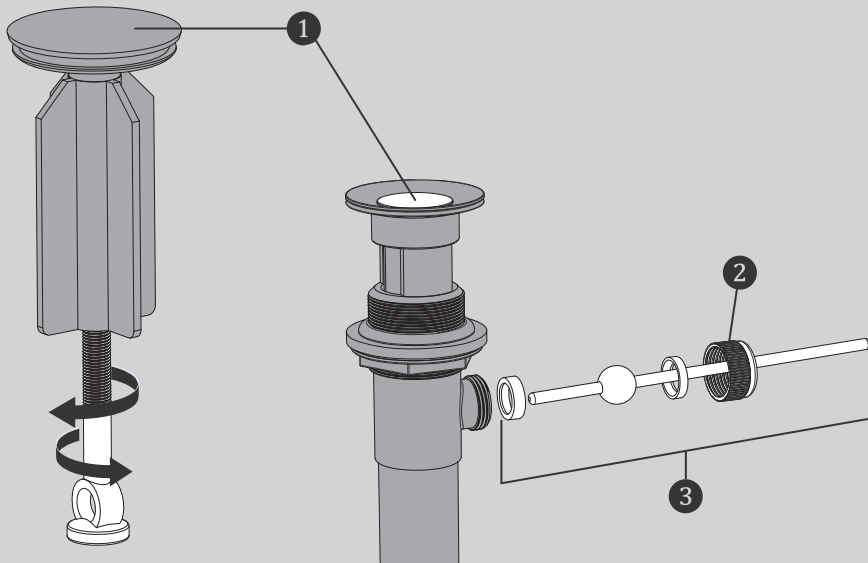
5 Place one end of Spring Clip **1**, on Pivot Rod **2**. Insert Pivot Rod **2** through a hole in the Lift Rod Strap **3**. Secure with Spring Clip **1**.



6 Place Drain into the open position by pressing downward on the Pivot Rod **1**. Insert Lift Rod **2** into Strap **3**. Adjust height of Lift Rod **2**, and tighten Thumb Screw **4**.



7 Additional adjustments can be made to ensure a proper seal between the Drain Stopper **1** and Drain Assembly. Remove Pivot Nut **2**, from Drain Assembly. Slide out Pivot Rod Assembly **3**. Remove Drain Stopper **1**. Additional adjustments can be made by either threading in or out the eyelet portion of the Drain Stopper **1**.



S-3357 ROUGH-IN DIAGRAM

SPEAKMAN®

NOTES:

COMPLIANCE:

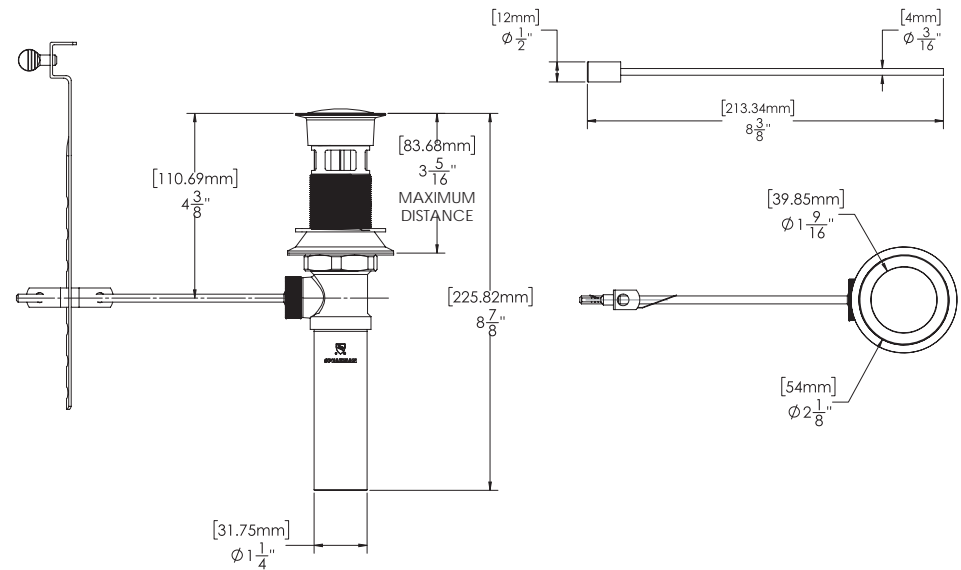
ASME A112.18.1/CSA B 125.1

FEATURES:

- Brass Construction
- Rubber Seals

CONNECTIONS:

For 1-1/4" Drain Connections



DIMENSIONS SUBJECT TO CHANGE WITHOUT NOTICE.