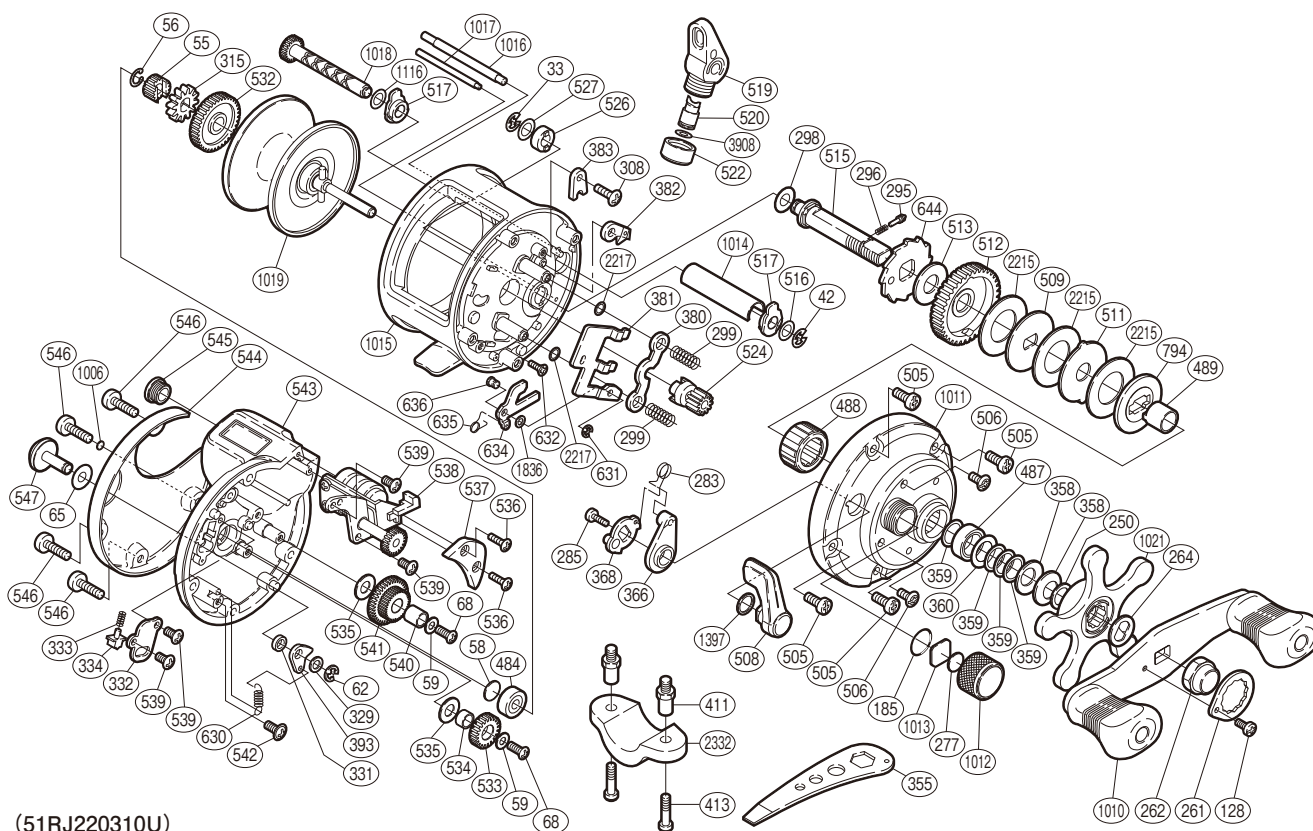


# SHIMANO

## TEKOTA

## TEK-300LC



(51RJ220310U)

#	Part No.	Description	#	Part No.	Description	#	Part No.	Description
33	105NG	E Lock	382	10MW8	Anti-Reverse Pawl	545	10NXP	Maintenance Cap
42	105NE	E Lock	383	10KSK	Anti-Reverse Pawl Keeper	546	10L9T	Screw
55	10J7E	Idle Gear A	393	10GQS	Click Pawl	547	1050J	Click Button
56	105SA	C Lock	484	10KAD	Ball Bearing	630	10NRQ	Click Pawl Spring
58	10GEU	Spacer B	487	10582	Ball Bearing	631	105NC	E Lock
59	104H5	Lock Washer	488	10F5D	Roller Clutch Bearing	632	103L2	Screw
62	105NK	E Lock	489	10BQ6	Roller Clutch Inner Tube	634	10P93	Clutch Pawl
65	104H2	Washer	505	10LZ5	Screw	635	10QCR	Clutch Pawl Spring
68	103GS	Screw	506	10LF9	Screw	636	10PNL	Clutch Pawl Pin
128	10QG0	Screw	508	10U11	Clutch Lever	644	10HMJ	Anti-Reverse Ratchet
185	109EB	O Ring	509	10D4K	Key Washer	794	109F1	Key Washer
250	10BR1	Washer	511	10D48	Eared Washer	1006	10U10	Spacer
261	10QL8	Handle Nut Plate	512	109DH	Drive Gear	1010	10U0Z	Handle Assembly
262	10FT1	Handle Nut	513	109BN	Drag Washer	1011	10HKL	Right Side Plate
264	107QQ	Drive Shaft Shield	515	10994	Drive Shaft	1012	106DS	Cast Control Cap
277	10896	Cast Control Spacer	516	10HV6	Washer	1013	1085F	Spool Tension Spacer
283	10JYU	Clutch Spring	517	10HT3	Worm Bushing	1014	10HW1	Level Wind Guard
285	10F8M	Screw	519	10KCF	Line Guide	1015	10K8B	One-Piece Frame
295	109ZZ	Click Pin	520	10FFZ	Line Guide Pawl	1016	10HXB	Stabilizer Bar A
296	10HZ5	Click Spring	522	10FJP	Pawl Cap	1017	10BKW	Stabilizer Bar B
298	10588	Washer	524	10AHE	Pinion Gear	1018	10K8C	Worm Shaft
299	104BY	Yoke Spring	526	10BPW	Drive Shaft Bushing	1019	10NSM	Spool Assembly
308	10LSK	Screw	527	10D66	Spacer	1021	10HMU	Star Drag
315	104F1	Click Gear	532	10AQG	Counter Gear A	1116	10D69	Washer
329	109RC	Spacer	533	10NXF	Idle Gear B	1397	10AG2	Smoother
331	10CFT	Click Pawl Spacer	534	10NXJ	Idle Gear B Support	1836	105A2	Washer
332	104B6	Click Spring Retainer	535	10G4P	Spacer	2215	10D2S	Drag Washer
333	104MT	Click Spring	536	103BY	Screw	2217	10KF6	Washer
334	104B8	Click Spring Holder	537	10NRL	Left Side Plate Seal	3908	10TZF	Spacer
358	10EW3	Coned Disc Spring	538	10B4V	Counter Assembly			
359	105PW	Washer	539	10QG5	Screw	411	1046R	Rod Clamp Nut (accessory)
360	109RF	Bearing Seal	540	10NXM	Idle Gear D Support	413	10A7C	Rod Clamp Bolt (accessory)
366	10L2B	Eccentric Cam Bushing	541	10NXK	Idle Gear D	2332	10EUN	Rod Clamp (accessory)
368	1084G	Clutch Cam	542	10K8T	Screw			
380	10483	Yoke	543	10LEL	Left Side Plate	355	10MJ2	Wrench (accessory)
381	1045H	Yoke Plate	544	10NV3	Left Side Plate Cover			

Please note that the number of adjusting washers may not be the same as shown in the exploded views.  
(Adjustment will vary with each individual product.)

(240625)\_005