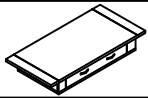







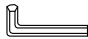


Assembly Instructions, #23400 Writing/Computer Desk

Parts List

Item	Parts	Description	Quantity
A		Top Assembly	1
B		Left Leg Frame	1
C		Right Leg Frame	1
D		Metal Rail	2

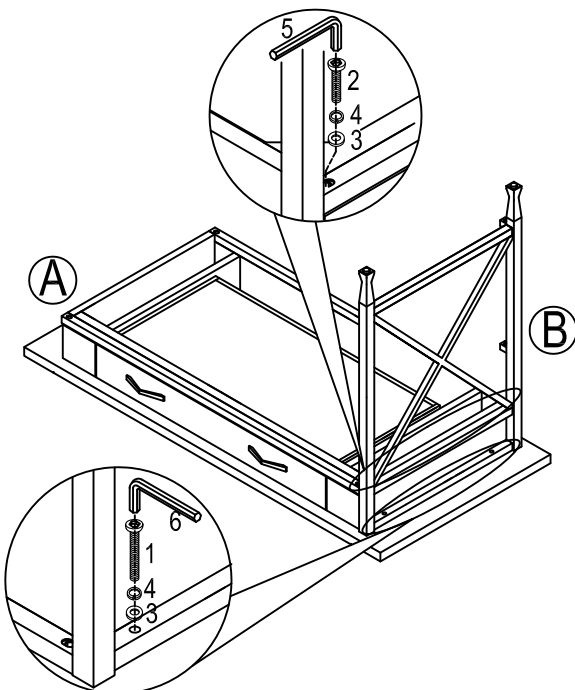
Hardware List

Item	Hardware	Description	Quantity
1		Long Allen Bolts	4
2		Short Allen Bolts	8
3		Flat Washers	12
4		Lock Washers	12
5		Allen Wrench	1

Assembly Steps

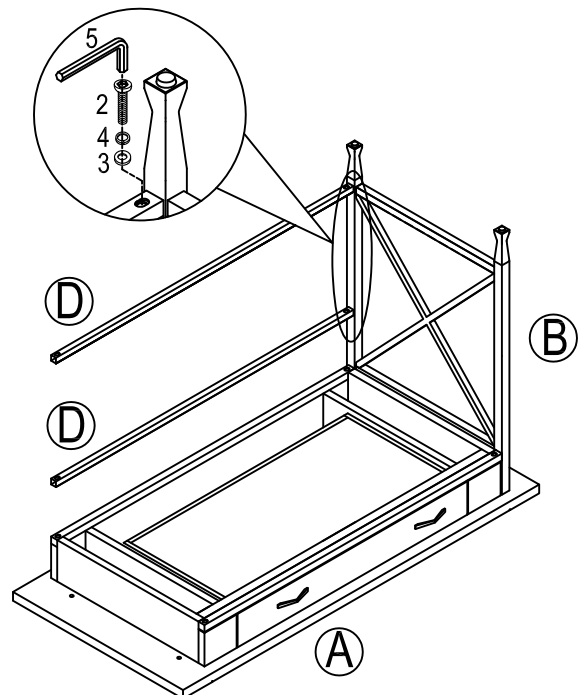
Step 1

- 1.1 Lay the Top Assembly (A) upside-down on a soft surface.
- 1.2 Insert the Left Leg Frame (B) into the Top Panel's (A) tube, fasten with two Long Allen Bolts to the lower face of Top Panel and two Short Allen Bolts on the ends of Top Assembly's tube. Do not tighten.



Step 2

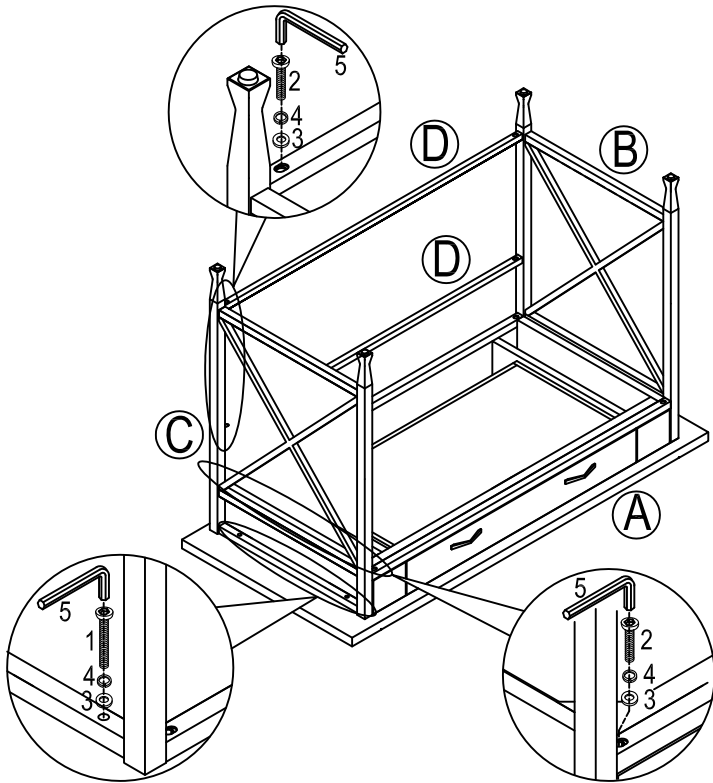
- Insert the protruding part of Left Leg Frame (B) into the ends of Metal Rails (D), fasten with two Short Allen Bolts. Do not tighten.



Assembly Steps

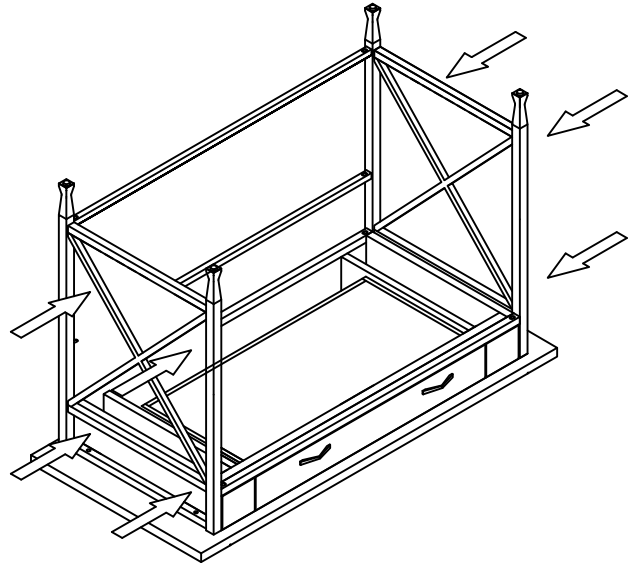
Step 3

Do the same thing on the other leg frame as in steps 1.2 and step 2.



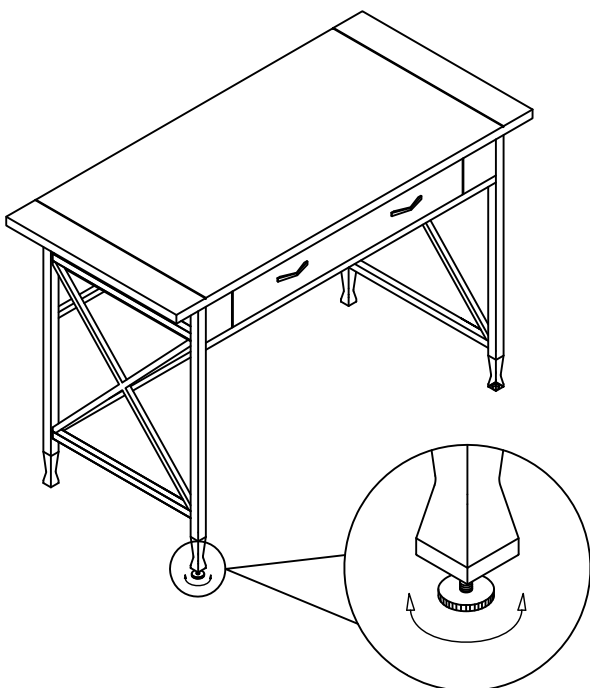
Step 4

4.1 Push leg frames onto the shelf and top metal tubes, tighten all the bolts.



Step 5

Position the assembled piece upright.



Step 6

Wire management hole on back of desk: Pull the desk out, remove the disc, run all cables through and snap the disc back in place.

