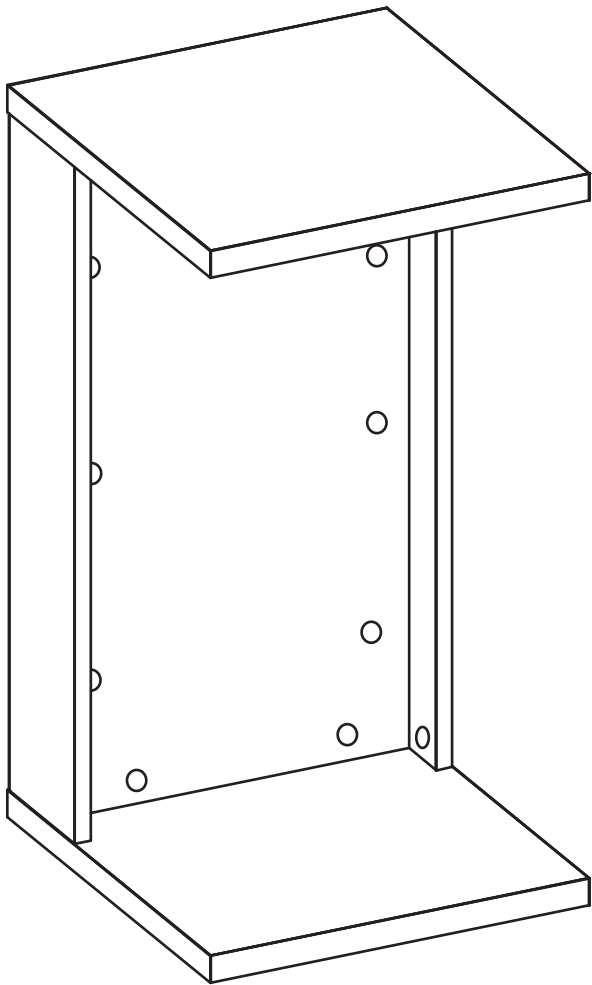
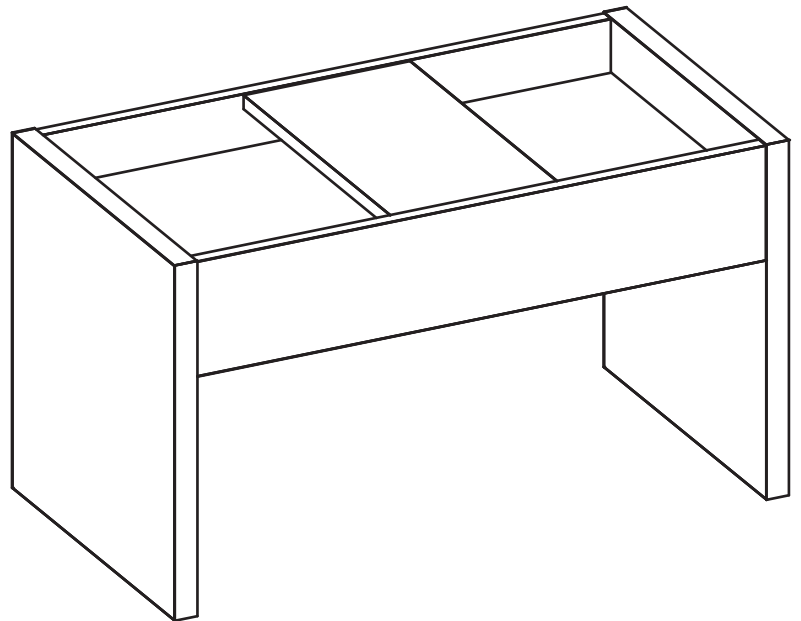


# 2-IN-1 ACCENT TABLE

Carefully review assembly and care instructions before using this product. Save this document for future reference.  
**Assemble components on a soft, clean surface to avoid scratching or damaging the finish.**



**CAN BE USED  
2 WAYS!**



## ! **HELPFUL HINTS**

Sunnydaze Decor advises reading this manual fully, and assembling the item soon after purchase. Check that all parts are accounted for and familiarize yourself with the assembly before beginning.

**SAVE THIS MANUAL FOR FUTURE REFERENCE.**

# INTRODUCTION

**Read the manual carefully to ensure you fully understand all use, care, assembly, and safety information.**



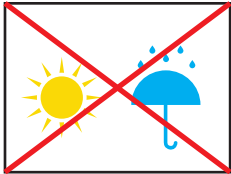
Read this manual carefully and follow the assembly instructions in the order listed. Pay close attention to assembly drawings.



Regularly clean with a clean microfiber cloth to prevent dust accumulation.



Do not paint the unit.  
Do not use abrasive materials or cleaners to clean the furniture.



Indoor use only.  
Do not expose the furniture to heat or humidity.



When cleaning nearby the furniture, do not allow contact with water or cleaners as it may deteriorate the furniture.



Do not allow metal components to come in contact with water or cleaners as it may cause rust and staining.



Assemble on a soft, flat, clean, and dry surface.

Use a soft, protective barrier when assembling the furniture.



**TIP:** Use the box carton as a protective layer to separate and protect the parts from scratches and other damage during assembly.



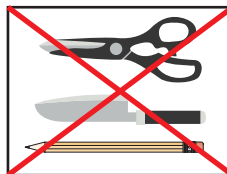
Do not push or drag furniture as doing so may damage the unit.

Only move furniture when it is empty.  
Always ask for help when moving furniture.



**Avoid Accidents** - Do not climb, sit or stand on the furniture.

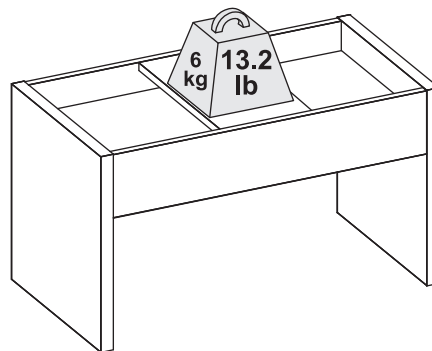
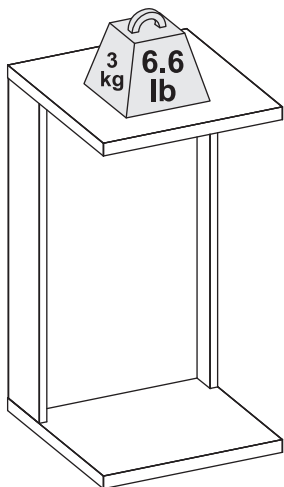
Do not allow children to play on or inside the furniture.



Keep sharp objects away as they may scratch or damage the unit.

Do not use the furniture as a writing surface without a padded barrier.

## WEIGHT CAPACITY

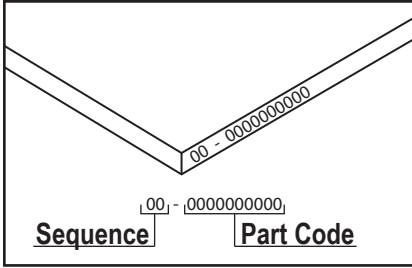


# COMPONENTS

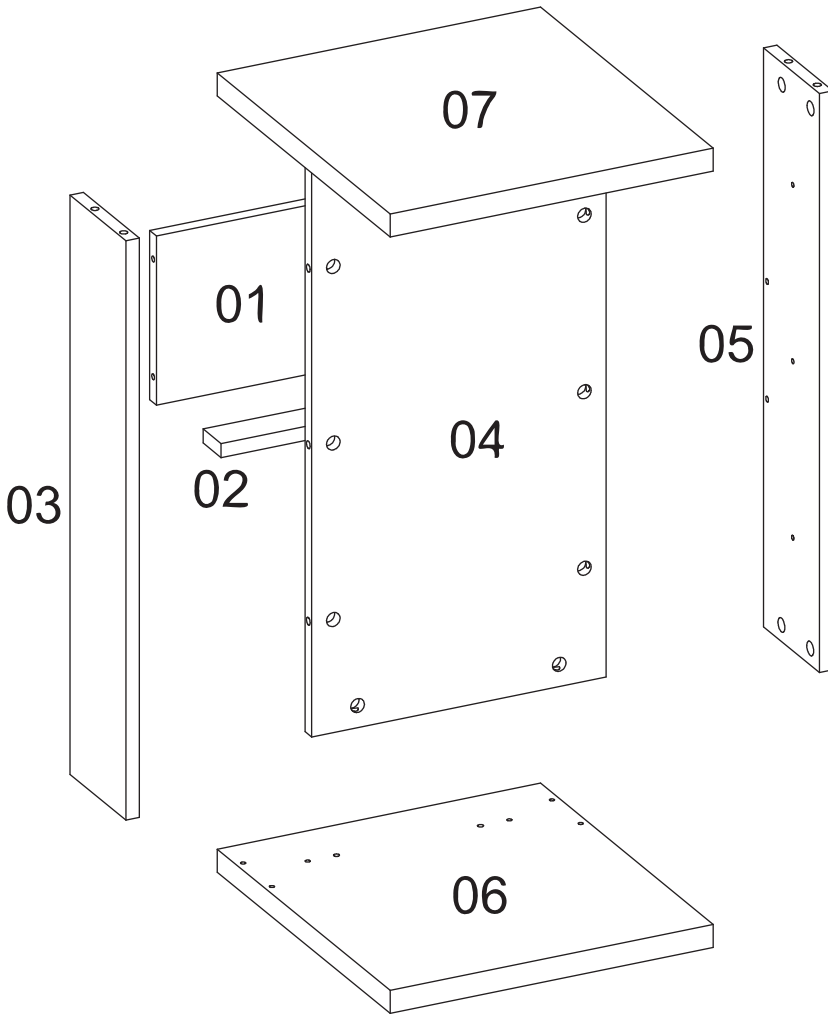
## BEFORE BEGINNING ASSEMBLY:

✓ Check all components match the parts list; the parts come with the code stamped on, as shown in the drawing to the left

✓ Separate hardware by type



Inspect packaging to ensure all parts are accounted for before disposing of packing materials.



SEQ.	PART CODE	PART NAME	QTY.
01	50244	Division Panel	1
02	50245	Division Support	1
03	50328	Left Side Panel	1
04	50326	Main Panel	1
05	50327	Right Side Panel	1
06	50240	Base	1
07	50246	Top	1

No.	HARDWARE	QTY.
A	Wood Dowel	8
B	Cam Screw	14
C	Bracket	2
D	M3.5x12mm Round Screw	4
E	Tack Glide	4
F	Cam Lock	14
G	Sticker	18
H	M5x60mm Flat Screw	4
I	Barrel Nut	4
J	Corner Brace	2
K	M3.5x12mm Round Screw	12

### TOOLS REQUIRED (not included)

	Phillips Screwdriver
	Regular Screwdriver
	Rubber Mallet
	Hammer

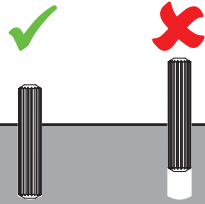
## ⚠ WARNING ⚠

**CHOKING HAZARD** — This item contains small parts that can be swallowed. Keep children and pets away during assembly.

# ⚠ IMPORTANT INSTALLATION INFORMATION ⚠

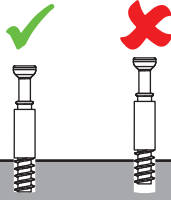
For the stability of the unit, it is important that furniture connectors are installed correctly. See drawings and tips below for proper installation.

## Wood Dowel



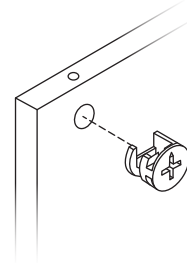
Install wood dowels by gently tapping them into the designated hole using a rubber mallet.

## Cam Screw



Use a screwdriver to secure the threaded end of the cam screw into the designated hole, as shown.

## Cam Lock



Align the cam lock opening (arrow) with the pre-drilled hole. Use a screwdriver to adjust alignment.

**IMPORTANT:** Take care not to over-tighten screws as doing so may crack the wood or strip the screw hole, causing a weak connection and reduced stability.

# ASSEMBLY

## STEP 1

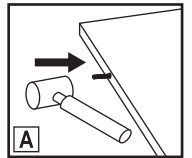
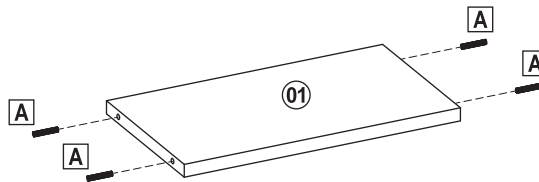
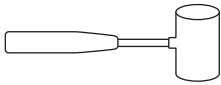
### PARTS REQUIRED

01 x1

### HARDWARE REQUIRED

A  x4

### TOOLS REQUIRED




## STEP 2

### PARTS REQUIRED

03 x1 05 x1

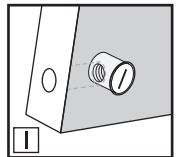
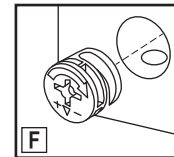
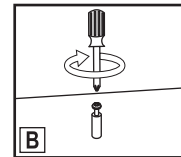
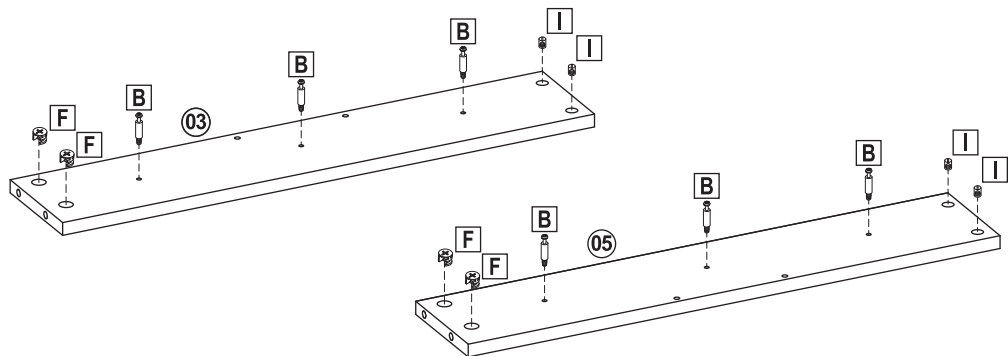
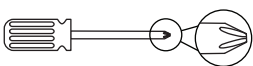
### HARDWARE REQUIRED

B  x6

F  x4

I  x4

### TOOLS REQUIRED



### STEP 3

#### PARTS REQUIRED

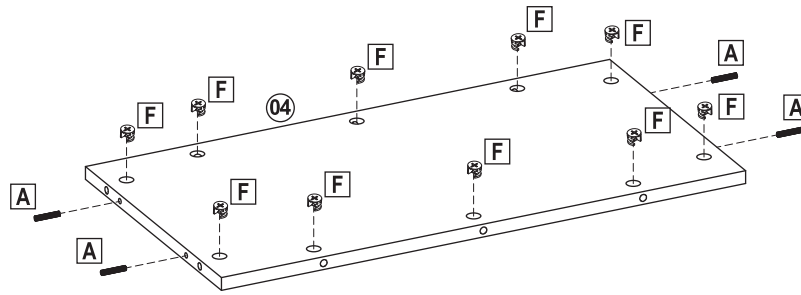
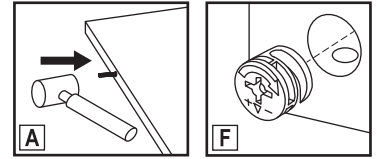
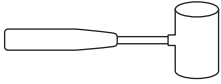
04 x1

#### HARDWARE REQUIRED

A  x4

F  x10

#### TOOLS REQUIRED




### STEP 4

#### PARTS REQUIRED

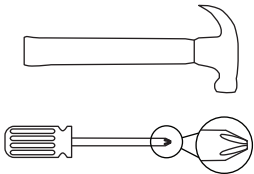
06 x1

#### HARDWARE REQUIRED

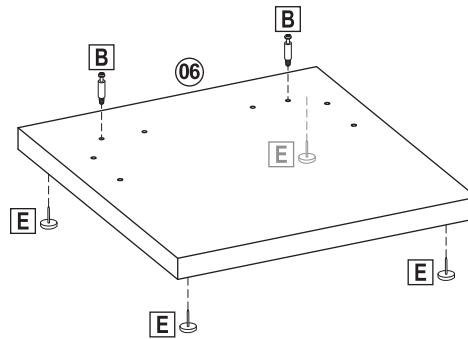
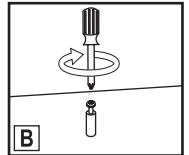
B  x2

E  x4

#### TOOLS REQUIRED



**IMPORTANT:** Install Tack Glides (E) before installing Cam Screws (B).




### STEP 5

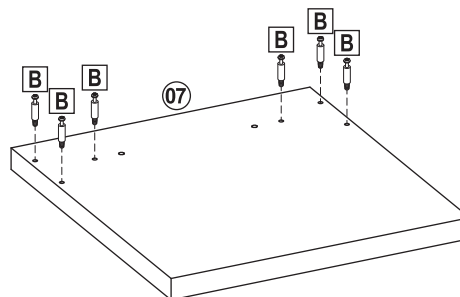
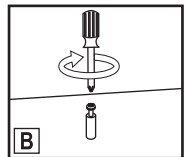
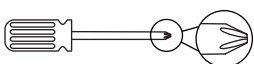
#### PARTS REQUIRED

07 x1

#### HARDWARE REQUIRED

B  x6

#### TOOLS REQUIRED



# STEP 6

## PARTS REQUIRED

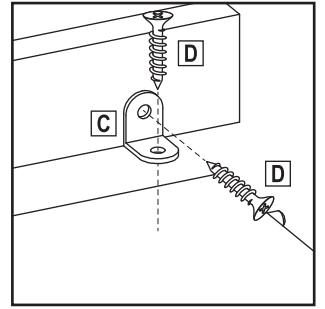
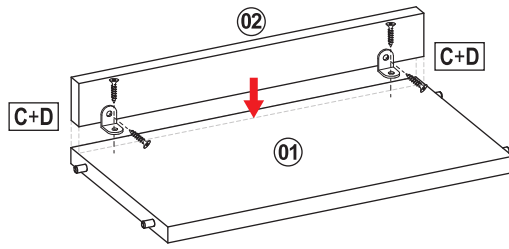
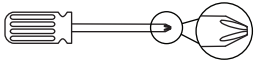
02 x1

## HARDWARE REQUIRED

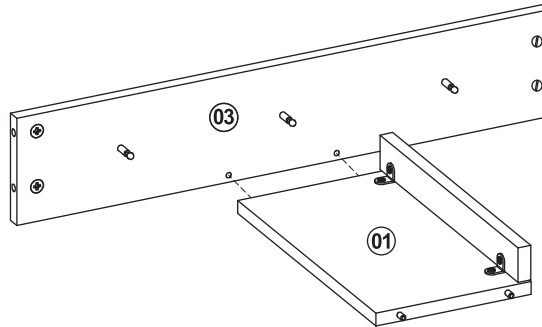
C  x2

D  M3.5x12mm x4

## TOOLS REQUIRED

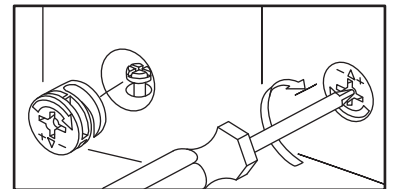
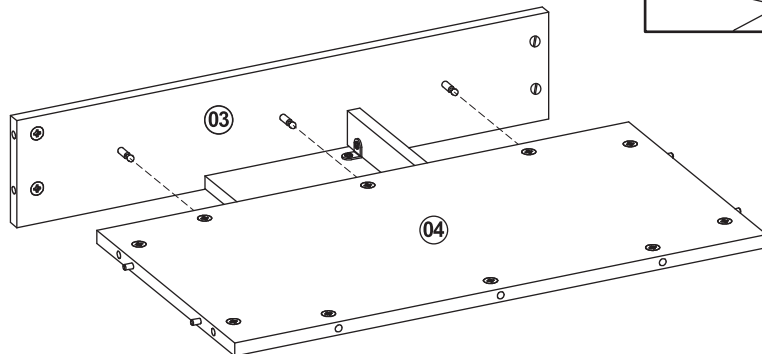
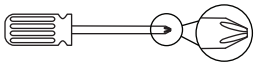


# STEP 7



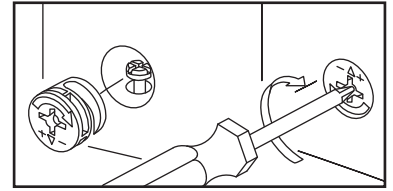
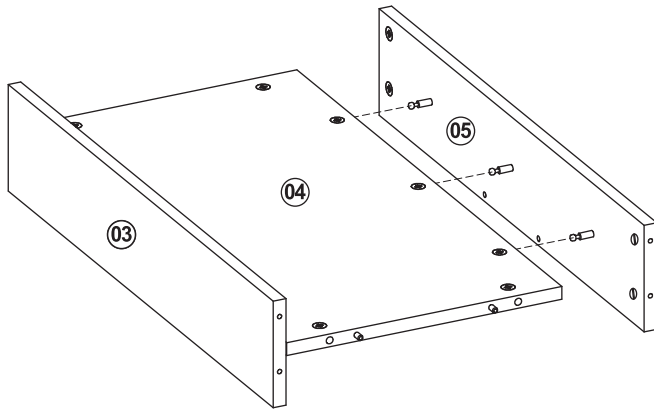
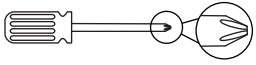
# STEP 8

## TOOLS REQUIRED



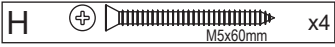
# STEP 9

## TOOLS REQUIRED

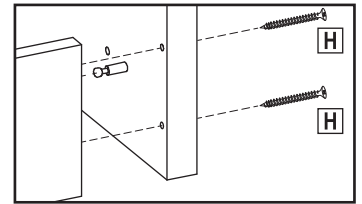
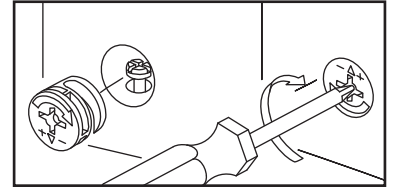
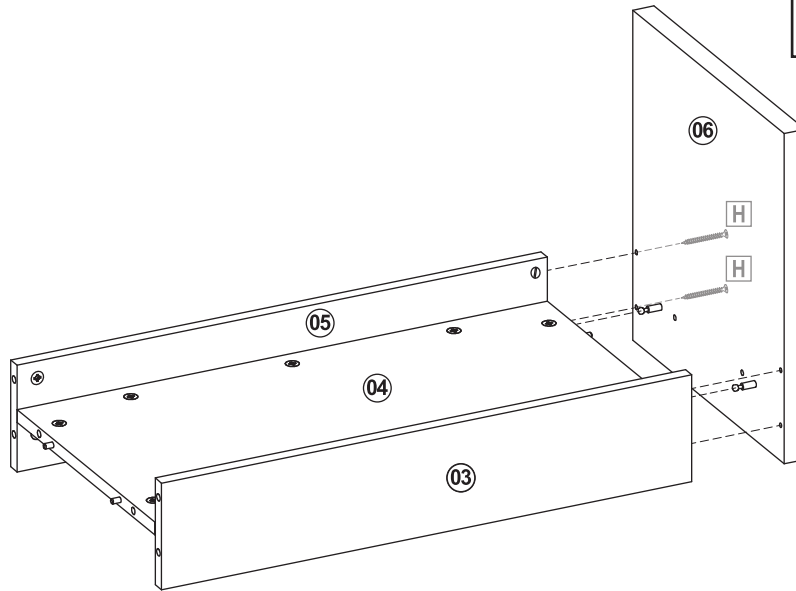
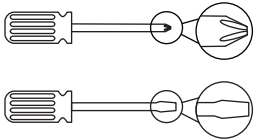


# STEP 10

## HARDWARE REQUIRED

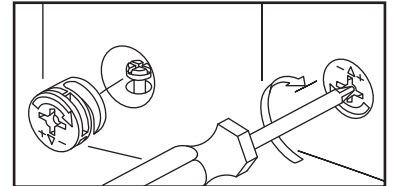
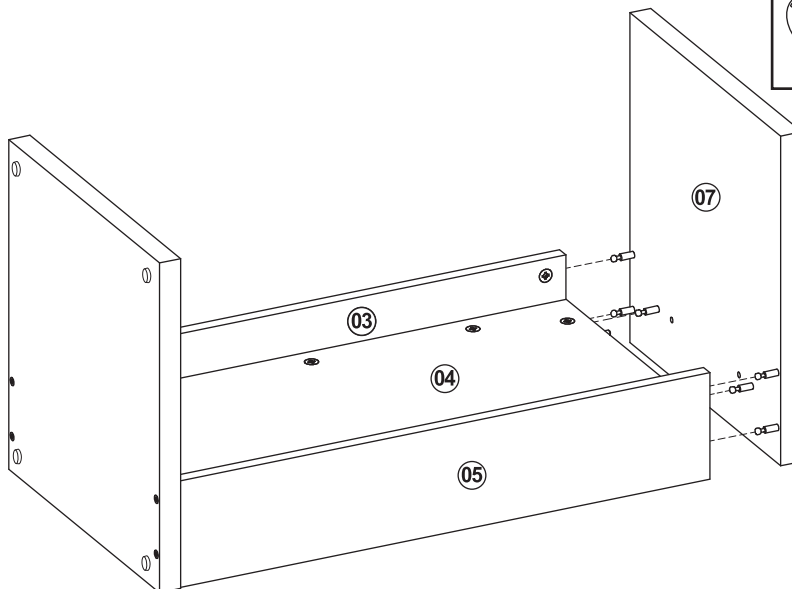
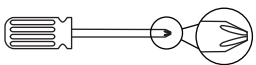


## TOOLS REQUIRED





# STEP 11

## TOOLS REQUIRED

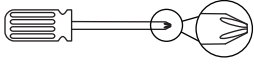


# STEP 12

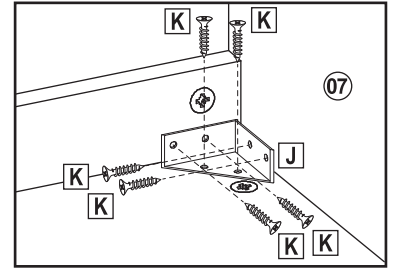
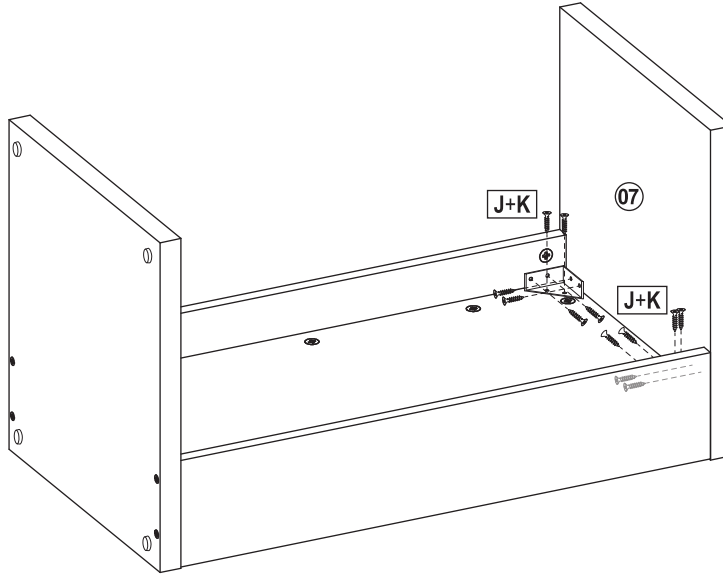
## HARDWARE REQUIRED

J		x2
K	 M3.5x12mm	x12

## TOOLS REQUIRED



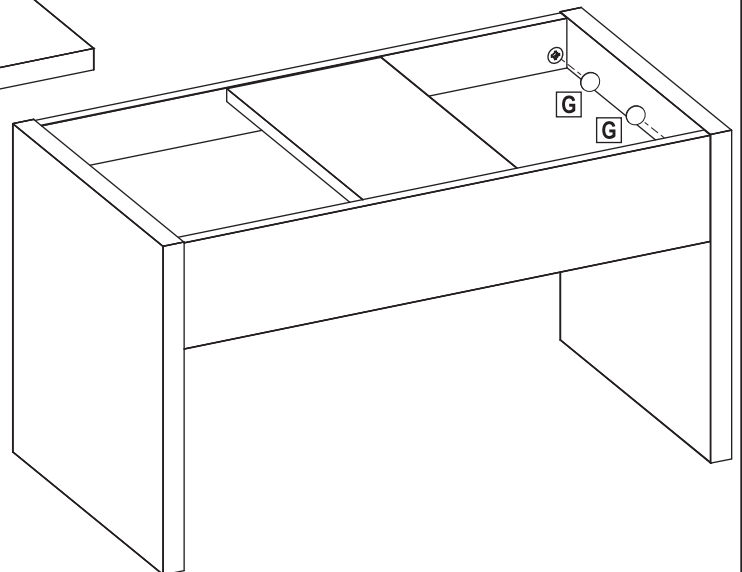
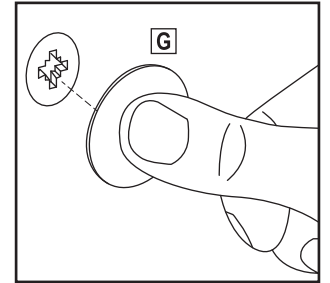
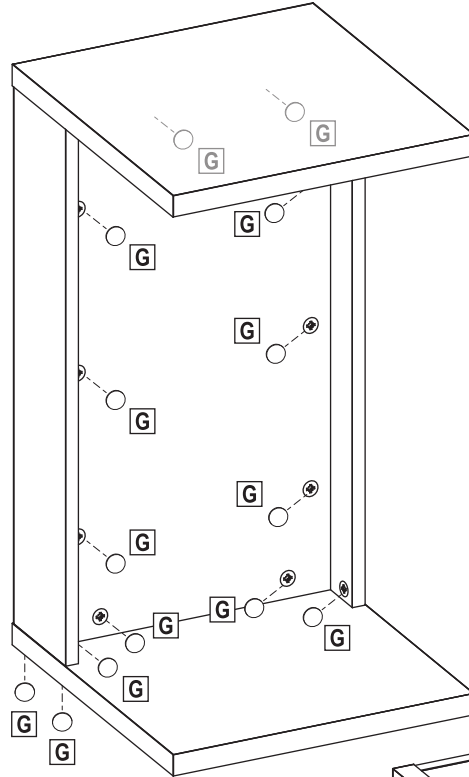
**TIP:** Ensure the corner bracket is tightly in the corner before installing screws.



# STEP 13

## HARDWARE REQUIRED

G		x18
---	---	-----





## SAFETY STATEMENTS & WARNINGS

- Residential use only. Not for commercial or industrial use.
- For indoor use only.
- Ensure fittings are tight before use. Periodically check fitting to ensure they are tight.
- Only use this unit on a flat, level surface.
- Do not sit, stand or climb on the unit.
- Supervise children; never allow children to climb or sit on this unit as it may tip over and cause serious injury.
- Do not place liquids or hot items on the furniture.
- Never use chemical cleaning products or polishes as they may damage the finish.
- Do not overload the table as doing so may cause the surfaces to sag.
- Do not place the unit in direct sunlight.
- Avoid placing unit near heating or cooling vents as forced air is very drying and can damage the unit.
- Do not write on furniture without a padded barrier to protect the surface.

**Any modification to the product or failure to follow recommended care will void the product warranty.**

*If you experience issues with assembly or the product was damaged during shipping, please contact our customer service team directly through one of the methods mentioned at the top of page 1. Please have the item number and order information ready to expedite response time.*

## NOTICE:

**Manufacturer and seller expressly disclaim any and all liability from personal injury, property damage or loss, whether direct or indirect, or incidental, resulting from the incorrect attachment, improper use, inadequate maintenance, or neglect of this product.**