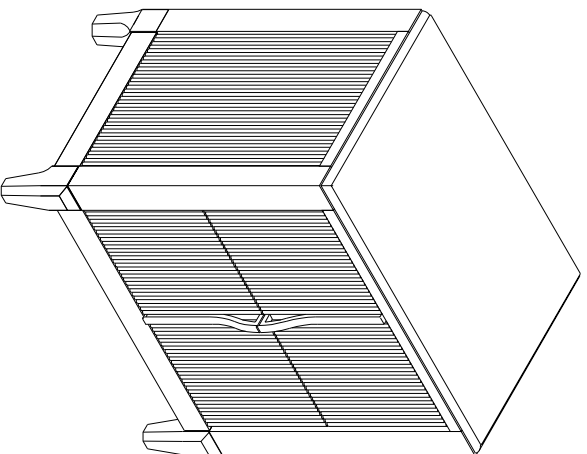


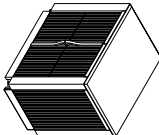
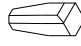
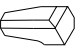


## PARTS LIST / LISTE DES PIÈCES / LISTA DE PIEZAS

ITEM NO. / NO D'ARTICLE/ ARTICULO NO. : P361140

DESCRIPTION/ LA DESCRIPTION /DESCRIPCIÓN: NIGHTSTAND / TABLE DE CHEVET / MESA DE NOCHE

<b>⚠ WARNING</b>		
<p>Children have died from furniture tipover. To reduce the risk of furniture tipover:</p> <ul style="list-style-type: none"> <li>• <b>NEVER</b> put a TV on this product.</li> <li>• <b>NEVER</b> allow children to stand, climb or hang on drawers, doors, or shelves.</li> <li>• <b>NEVER</b> open more than one drawer at a time.</li> <li>• Place heaviest items in the lowest drawers.</li> </ul> <p>This is a permanent label. Do not remove!</p>		



<p><b>A</b></p> <p>x1 Nightstand x1 Table de chevet x1 Mesa de noche</p>		<p><b>B</b></p> <p>x1 Front leg (Left) * x1 Patte avant (Gauche ) x1 Pata delantera (Izquierda)</p>		<p><b>C</b></p> <p>x1 Front leg (Right) * x1 Patte avant (Arrière) x1 Pata delantera (Derecha)</p>		<p><b>D</b></p> <p>x1 Back leg (left) * x1 Patte arrière (gauche) x1 Pata trasera (Izquierda)</p>		<p><b>E</b></p> <p>x1 Back leg (right) * x1 Patte arrière (droite) x1 Pata trasera (derecha)</p>	
--	---	---	---	--	---	---	---	--	---



x8 Flat Washer Ø5/16"X19x2mm \*  
x8 Rondelle plate Ø5/16"X19x2mm  
x8 Arandela plana Ø5/16"X19x2mm



x8 Lock washer Ø5/16" \*  
x8 Rondelle de blocage Ø5/16"  
x8 Arandela de Seguridad Ø5/16"



x8 Hex nut Ø5/16" \*  
x8 Écrou hexagonal Ø5/16"  
x8 Tuerca hexagona Ø5/16"




x1 Open Wrench Ø5/16" \*  
x1 Clé à fourche Ø5/16"  
x1 Llave de boca Ø5/16"



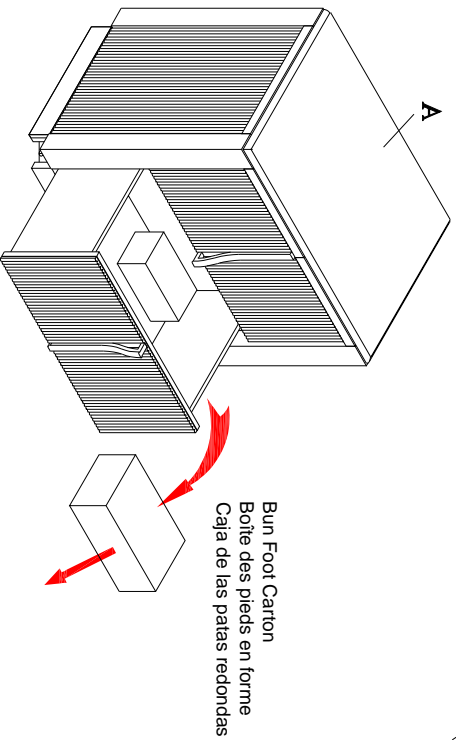
x1 Furniture Tipping Restraint \*  
x1 Systeme antibasculement  
x1 Control para evitar vuelcos

\* Replaceable Part

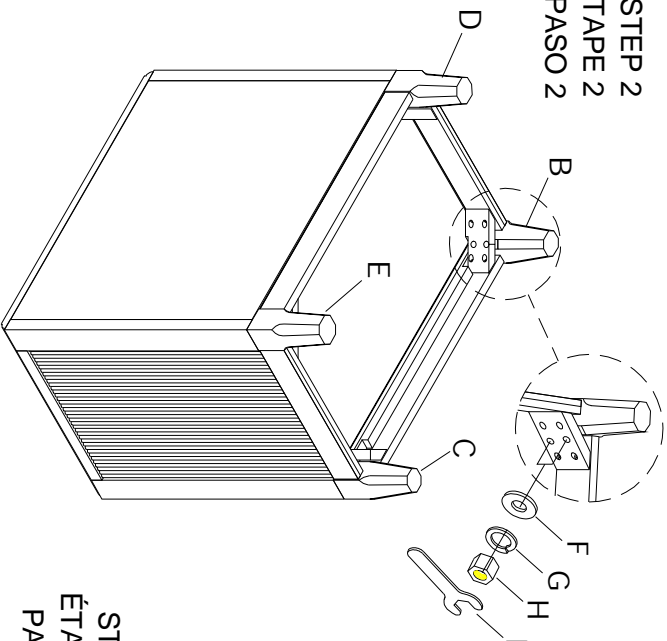
## ⚠ WARNING

	Children have died from furniture tipover. To reduce the risk of furniture tipover:
	<ul style="list-style-type: none"> <li>• <b>NEVER</b> put a TV on this product.</li> <li>• <b>NEVER</b> allow children to stand, climb or hang on drawers, doors, or shelves.</li> <li>• <b>NEVER</b> open more than one drawer at a time.</li> <li>• Place heaviest items in the lowest drawers.</li> </ul>
This is a permanent label. Do not remove!	

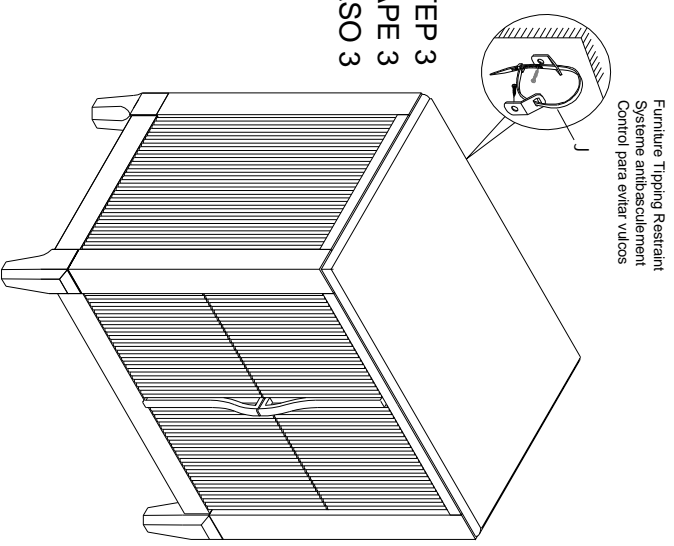
### STEP 1 ÉTAPE 1 PASO 1



### STEP 2 ÉTAPE 2 PASO 2

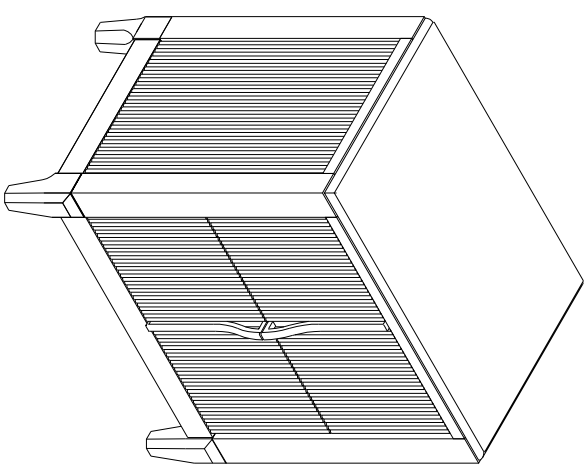


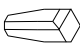
### STEP 3 ÉTAPE 3 PASO 3





\* Replaceable Part


<b>⚠ WARNING</b>	
	<p>Children have died from furniture tipover. To reduce the risk of furniture tipover:</p> <ul style="list-style-type: none"> <li>• <b>NEVER</b> put a TV on this product.</li> <li>• <b>NEVER</b> allow children to stand, climb or hang on drawers, doors, or shelves.</li> <li>• <b>NEVER</b> open more than one drawer at a time.</li> <li>• Place heaviest items in the lowest drawers.</li> </ul> <p>This is a permanent label. Do not remove!</p>
	





 X1 RP361140-FLEGL-FRONT LEG-Left \*  
 Jambes  
 PERNAS

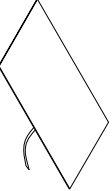
 X1 RP361140-FLEGR-FRONT LEG-Right \*  
 Jambes  
 PERNAS

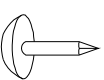
 X1 RP361140-BLEGL-BACK LEG-Left \*  
 Jambes  
 PERNAS

 X1 RP361140-BLEGR-BACK LEG-Right \*  
 Jambes  
 PERNAS

 X2 RP361140-PULL - Pull with Screw \*  
 Poignée + vis  
 Tirador + Tornillo

 X2 RP361140-DG-Drawer Glide \*  
 Troif Glide  
 Deslizamiento del cajón

 X1 RP361140-FELT-Removable Felt \*  
 Removable Felt  
 Feutre Fielro

 X4 RC-WH-NAIL - White Plastic Nail \*  
 Clou en plastique  
 Clavo de plástico

 X1 RP361140-HWKIT-Hardware kit list \*  
 Liste des pièces de quincaillerie  
 Lista del kit de materiales

\* Replaceable Part

## **Protect Your Wood or Laminate Flooring**

\* This statement applies to any floor without carpet.

If not careful, all furniture including upholstery and case pieces can scratch, scuff and even gouge floors. The recommendation is to have felt, rubber pads or area rugs under furniture on flooring without carpet.

### **Moving your furniture**

Pushing and dragging furniture over floor without carpet can lead to scratches and scuffs. Have someone help when moving the larger pieces of furniture by lifting, try using a dolly or moving pads.

### **Felt and rubber pads**

Applying furniture pads to the feet of furniture helps cushion contact points. Furniture pads can be found at local hardware stores. Felt pads slide easily across the floor, making them ideal for dining chairs and other pieces that move with use. Rubber pads will help furniture stay in place and are perfect for larger pieces, like sofas and loveseats.

### **Area rugs and rug pads**

Using an are rug under furniture is another way to protect your floor from scratches and scuff marks. A rug pad under the area rug will provide extra cushion and added protection.

\* *Replaceable Part*