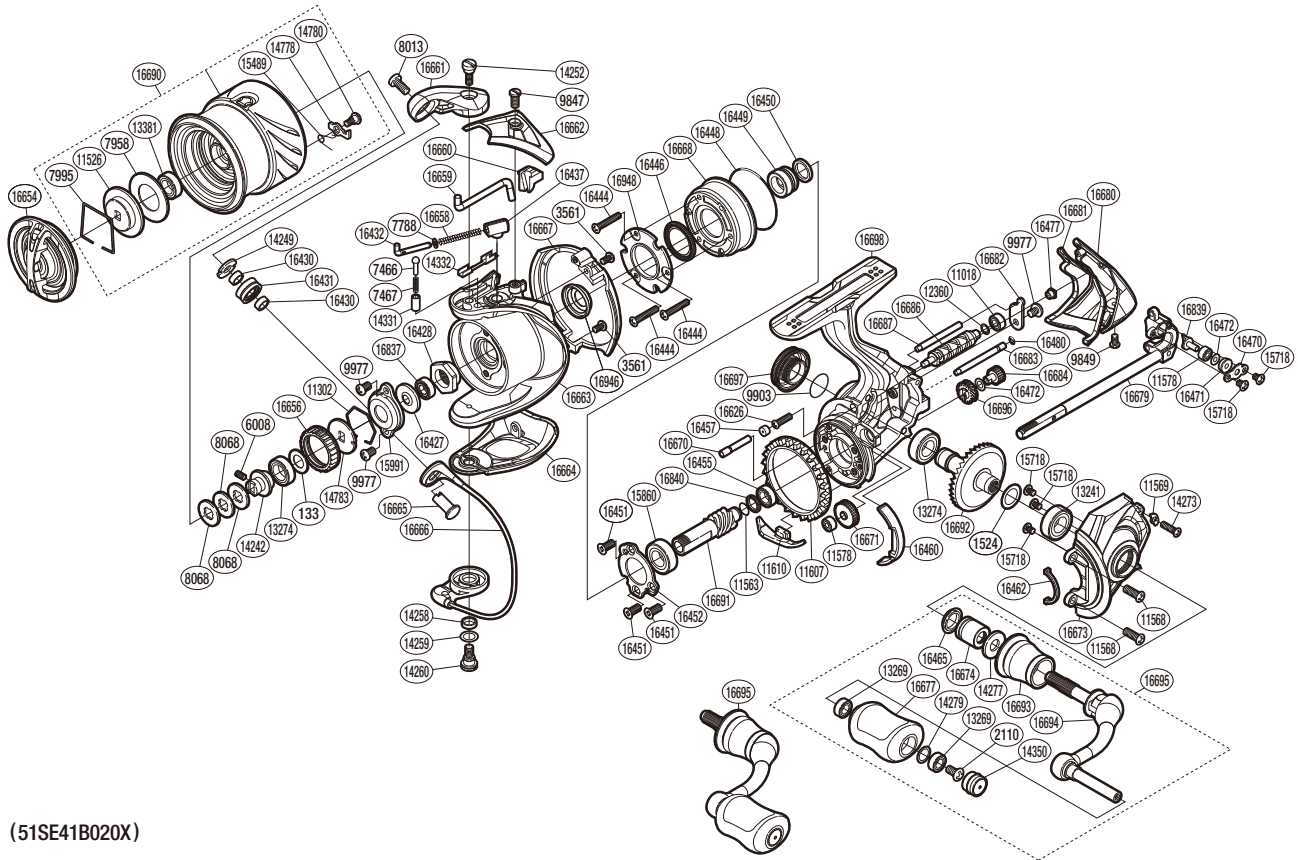


SHIMANO

STELLA

STL-C2000S



(51SE41B020X)

#	Part No.	Description	#	Part No.	Description	#	Part No.	Description
133	102VD	Anti-Reverse Pawl Spacer	14331	107XA	Click Spring Collar	16661	10KLN	Bail Arm
1524	10JDC	Drive Gear Washer	14332	107L8	Bail Trip Sheet	16662	10884	Bail Spring Cover
2110	103E9	Slider Retainer Screw	14350	10BFB	Handle Knob Seal	16663	10Q1N	Rotor
3561	10MT4	Screw	14778	10388	Drag Click	16664	10MNH	Bail Hold Support Guard
6008	10PN2	Set Screw	14780	10A6F	Screw	16665	10L02	Line Roller Support
7466	106ZF	Click Pin	14783	103PC	Spool Support	16666	1073J	Bail Assembly
7467	1077T	Click Spring	15489	10BOE	Drag Click Spring	16667	10747	Rotor Guard
7788	1064R	Spring Guide (A) Support	15718	1055G	Screw	16668	10QPJ	Roller Clutch Assembly
7958	102ZF	Drag Washer	15860	104JH	Ball Bearing	16670	10CL9	Idle Gear B Shaft
7959	10B87	Drag Washers Retainer	15991	1076P	Rotor Nut Lock Plate	16671	10HBP	Idle Gear
8013	10K40	Screw	16427	107L2	Bearing Water Proof	16673	104D3	Side Cover
8068	10BU7	Spool Washer	16428	10814	Rotor Nut	16674	10PQD	Handle Shaft Cover B
9847	10CYU	Screw	16430	10GAR	Bearing Spacer	16677	1036A	Handle Knob
9849	106ZG	Screw	16431	10KXZ	Line Roller	16679	102HZ	Main Shaft Assembly
9903	108WA	O Ring	16432	105Y9	Bail Spring Guide A	16680	10NL3	Rear Protector
9977	103LH	Screw	16437	107A9	Bail Spring Seat	16681	107HH	Rear Shield
11018	10PDA	Ball Bearing	16444	10MTG	Screw	16682	10AT9	Worm Shaft Retainer
11302	107V3	Ratchet Spring	16446	10MH3	Roller Clutch Water Proof	16683	104MA	Oscillating Guide B
11526	10B9X	Key Washer	16448	10MLT	O Ring	16684	106RJ	Idle Gear B S
11563	10CJV	Worm Shaft Ring	16449	107S5	Roller Clutch Inner	16686	10686	Worm Shaft
11568	10M2C	Screw	16450	10H4G	Roller Clutch Inner Spacer	16687	1035K	Oscillating Guide
11569	10C2G	Screw Washer	16451	10ML6	Screw	16690	109FE	Spool Assembly
11578	10PC0	Ball Bearing	16452	10593	Bearing Retainer	16691	10C1W	Pinion Gear
11607	104FU	Friction Ring	16455	104K4	Ball Bearing	16692	10EKJ	Drive Gear
11610	107DZ	Bail Trip Strike	16457	10AYS	Body Flange Seal	16693	10C1U	Handle Shaft Cover
12360	10J7K	Washer	16460	10J3N	Friction Ring Spacer	16694	103DL	Handle Shank Assembly
13241	104JD	Ball Bearing	16462	10CBC	Flange Water Proof	16695	10N7Q	Handle Assembly
13269	104VX	Ball Bearing	16465	10PXU	Handle Shaft Seal	16696	10COD	Idle Gear B L
13274	104PP	Ball Bearing	16470	10HAG	Oscillating Pawl Cover	16697	10N4F	Handle Screw Cap
13381	104JT	Ball Bearing	16471	10JXQ	Oscillating Slider Bushing	16698	10379	Body
14242	10LTR	Bearing Bushing	16472	1059T	Washer	16837	103B1	Main Shaft Spacer
14249	1079U	Line Roller Plate	16477	10AYN	Rear Protector Collar	16839	106VK	Oscillating Pawl
14252	109GS	Screw	16480	10JAB	O Ring	16840	10J6E	Pinion Gear Spacer
14258	10K55	Bail Trip Cam Bushing	16626	10LPX	Screw	16946	103SG	Rotor Ring
14259	10G6C	Washer	16654	102EQ	Drag Knob	16948	10NHU	Roller Clutch Reinforce
14260	109GU	Screw	16656	107PQ	Drag Click Ratchet			
14273	10LUF	Screw	16658	105R3	Bail Spring			
14277	10FMF	Large Handle Shank Washer	16659	106KR	Bail Trip Lever			
14279	10G8G	Washer	16660	1072J	Bail Trip Lever Cover	9811	10PBS	Reel Seat Spacer (Accessory)

Please note that the number of adjusting washers may not be the same as shown in the exploded views.
(Adjustment will vary with each individual product.)