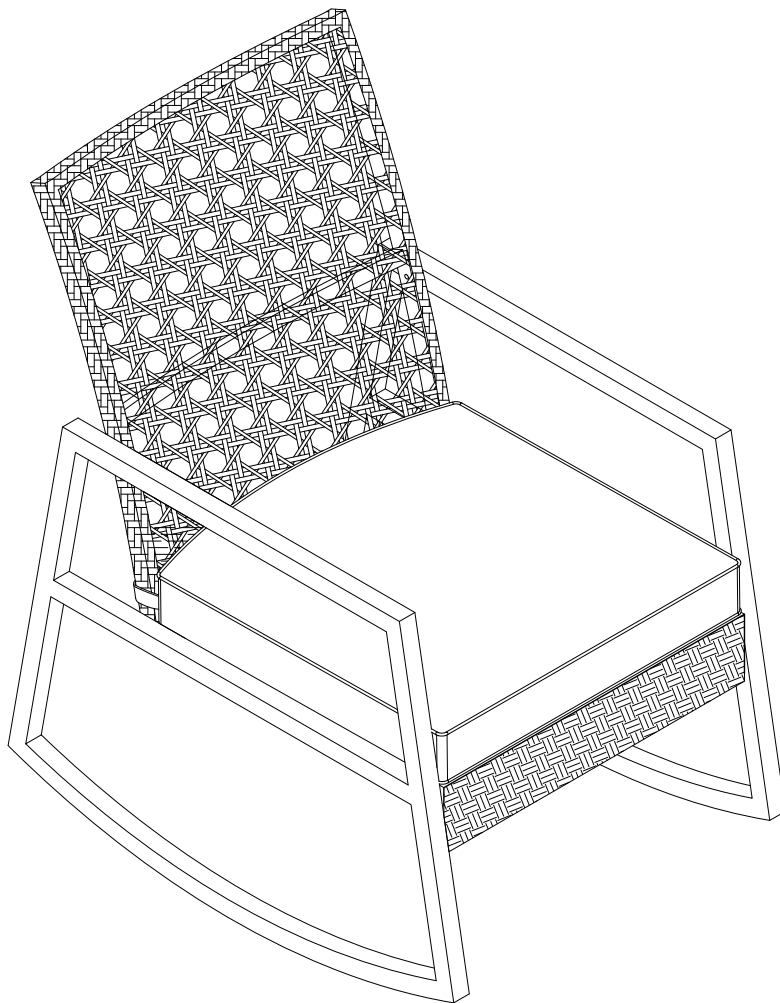


Item # : ORLIZRC1

Assembly Instructions



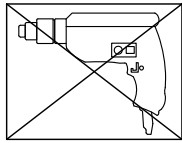
Walker Edison®

Please visit our website for the most current instructions, assembly tips, report damage,
or request parts. www.walkeredison.com

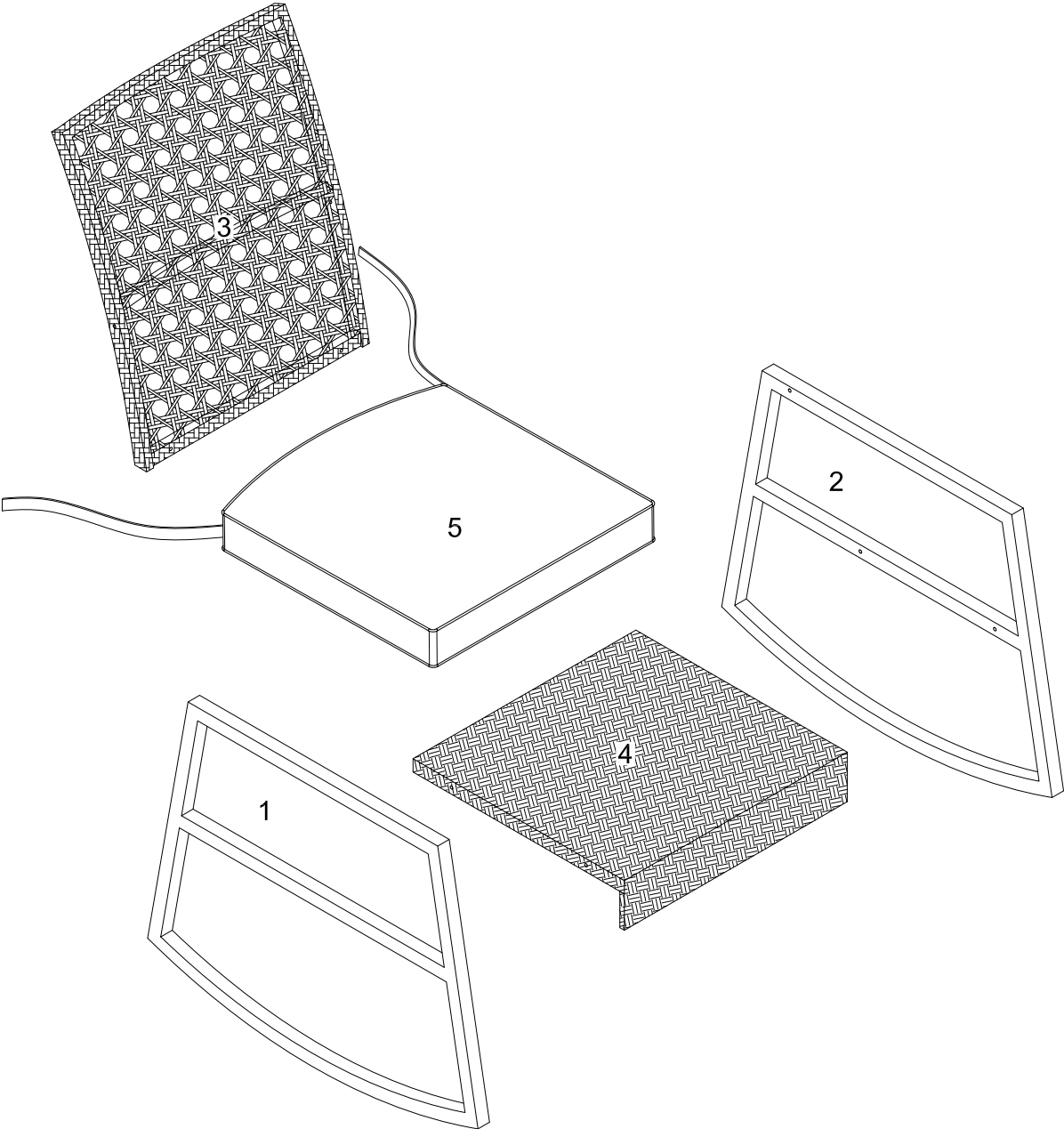
Revised 11/12/2018

General Assembly Guidelines

- I. Ensure that all parts and hardware are available before beginning assembly.
- II. Follow each step carefully to ensure the proper assembly of this product.
- III. Two people are recommended for ease in the assembly of this product.
- IV. The main type of hardware used to assemble this product is: bolts.
- V. Power tools should not be used to assemble this product .



Parts List

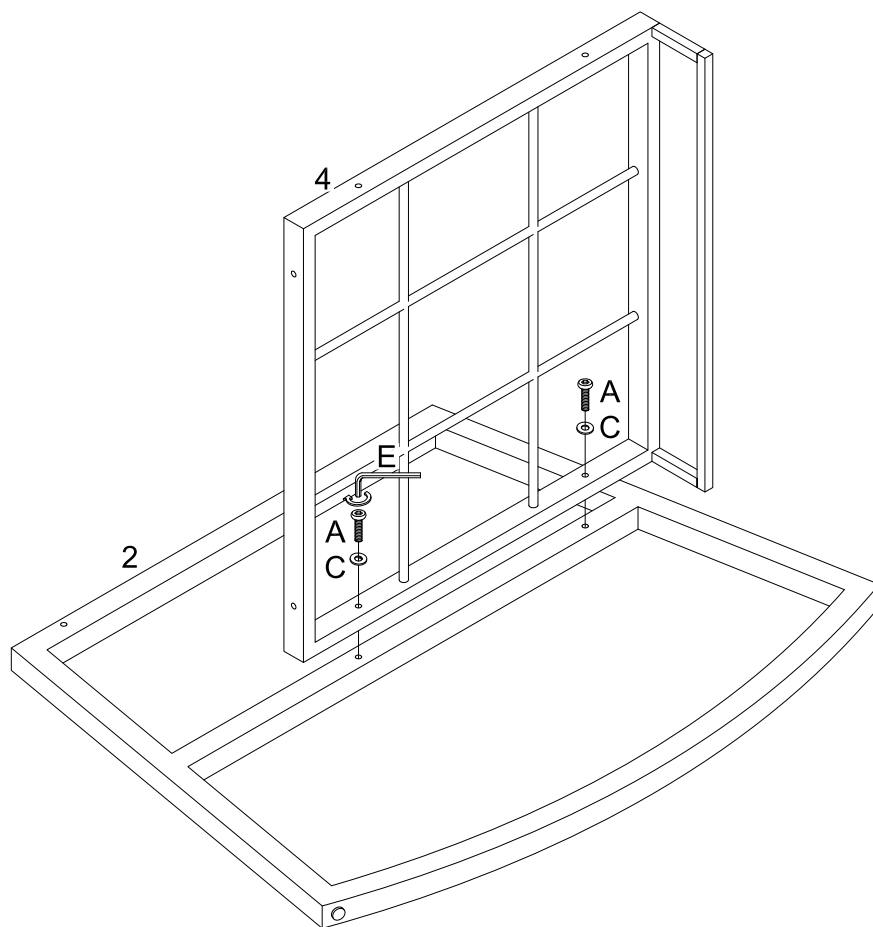


Hardware List

A		Ø6x40mm	Bolt	6 pcs
B		Ø6x60mm	Bolt	2 pcs
C			Washer	10 pcs
D			Nut	2 pcs
E		4mm	Hex Key	1 pc
F			Wrench	1 pc

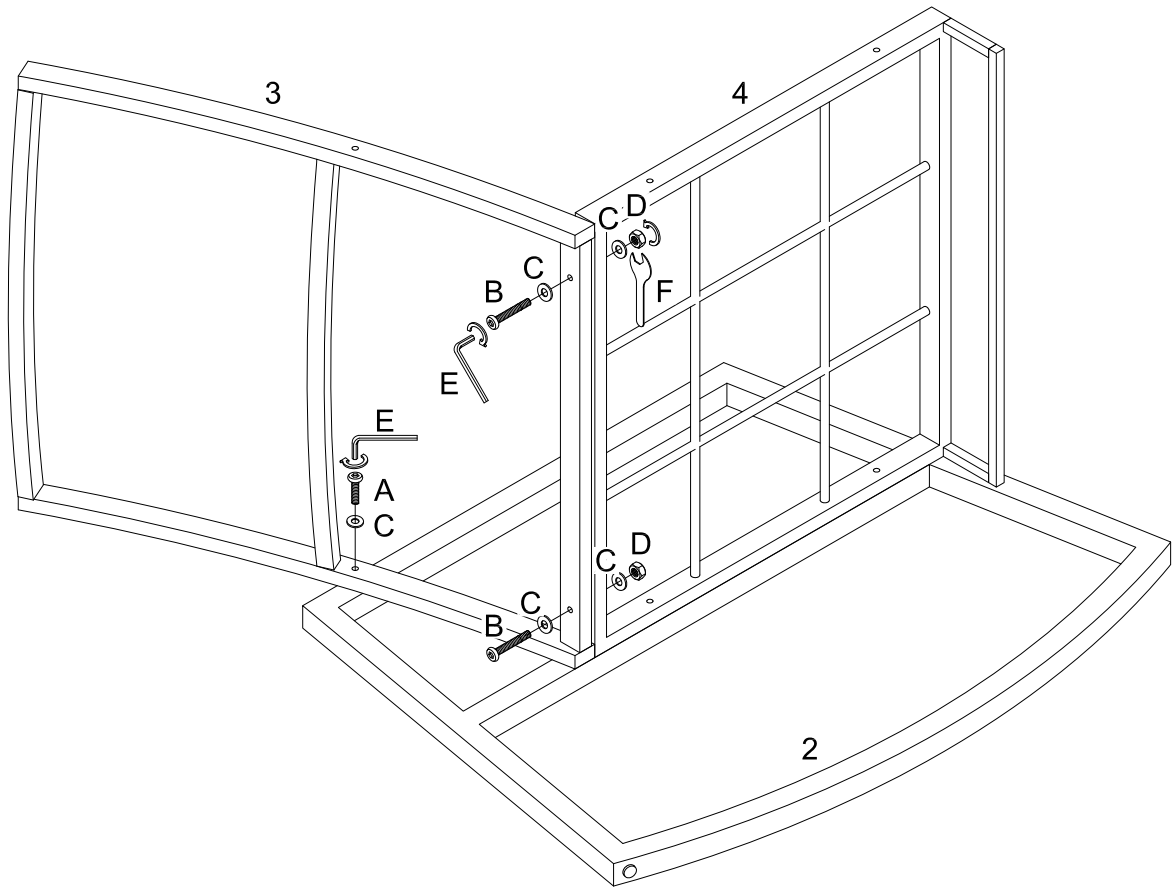
*The hardware quantities listed above are required for proper assembly.
Some extra hardware may also have been included.*

Step 1



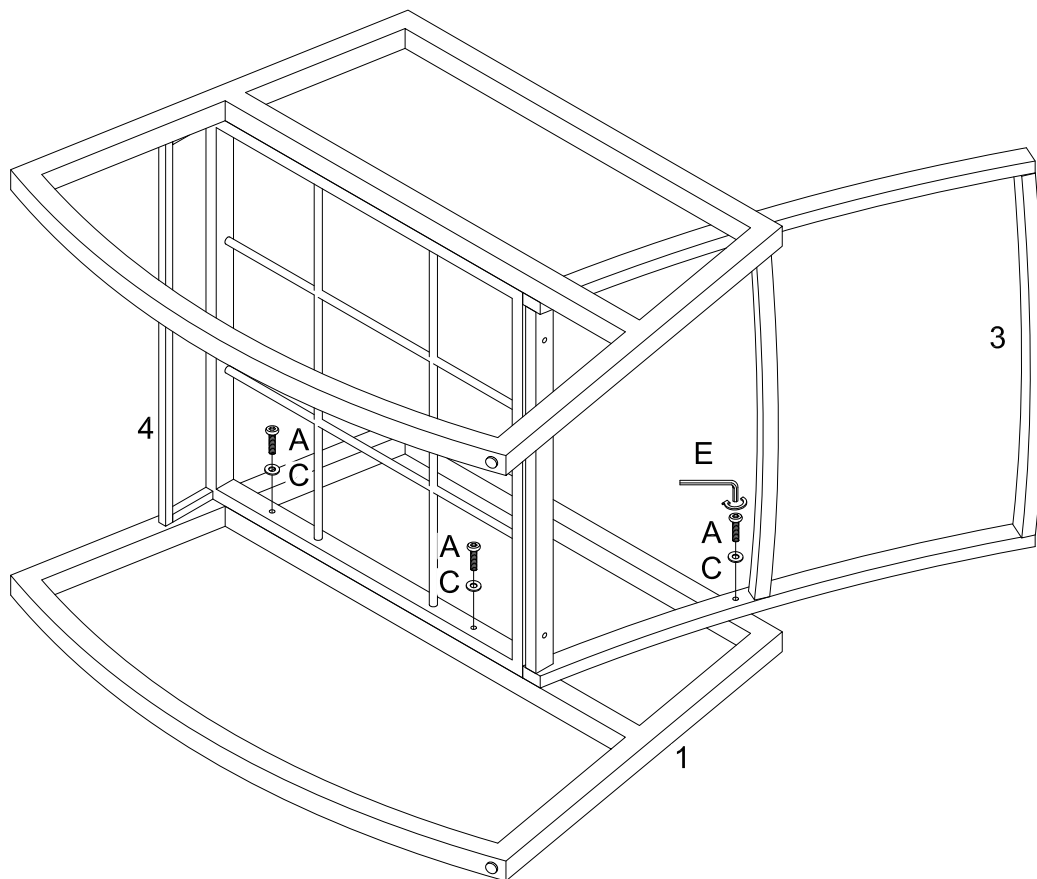
Attach part (4) to part (2) using bolt (A) and washer (C) with hex key (E).

Step 2



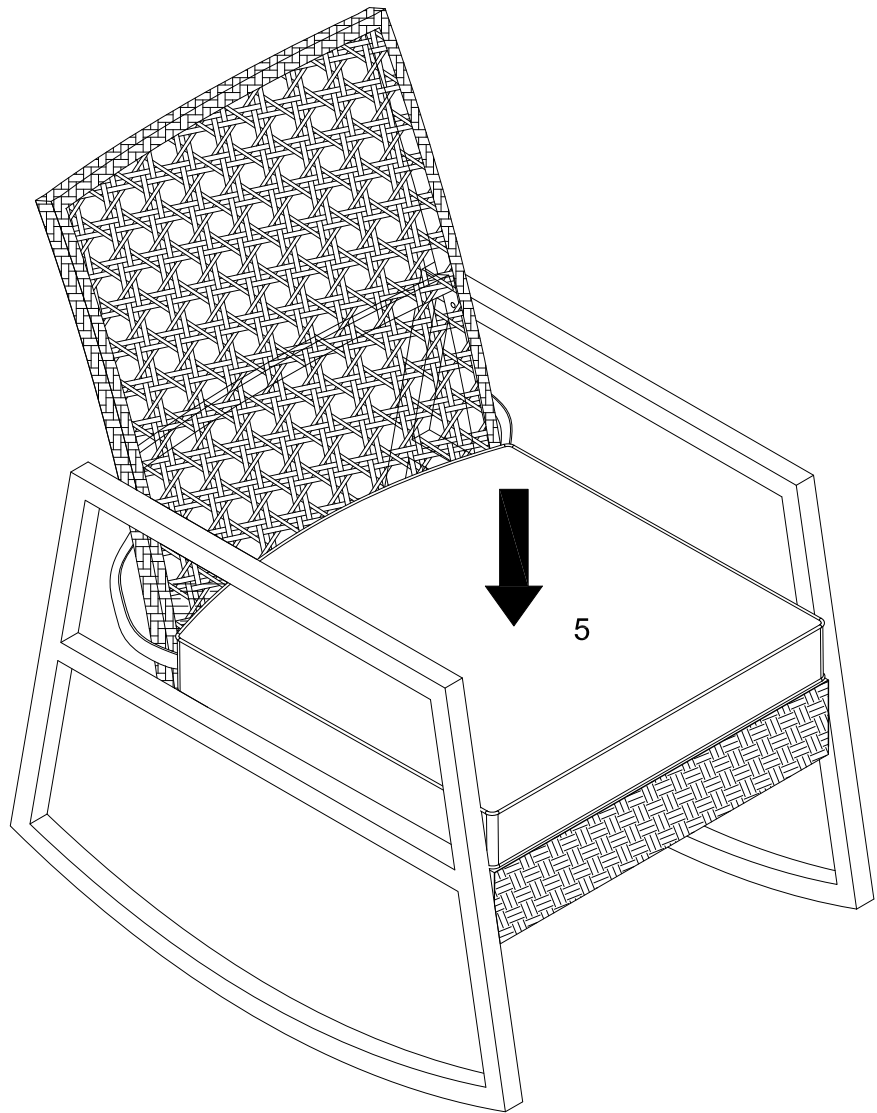
Attach part (3) to part (2, 4) using bolt (A, B), nut (D) and washer (C) with hex key (E) per diagram.

Step 3



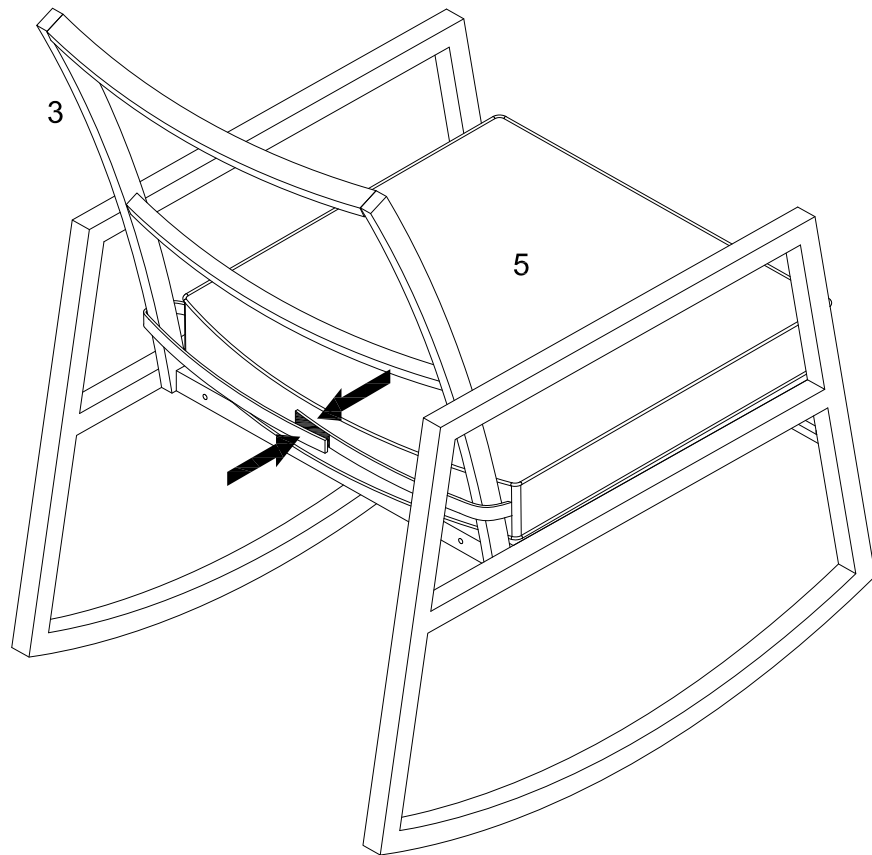
Attach part (3, 4) to part (1) using bolt (A) and washer (C) with hex key (E) as per diagram.

Step 4



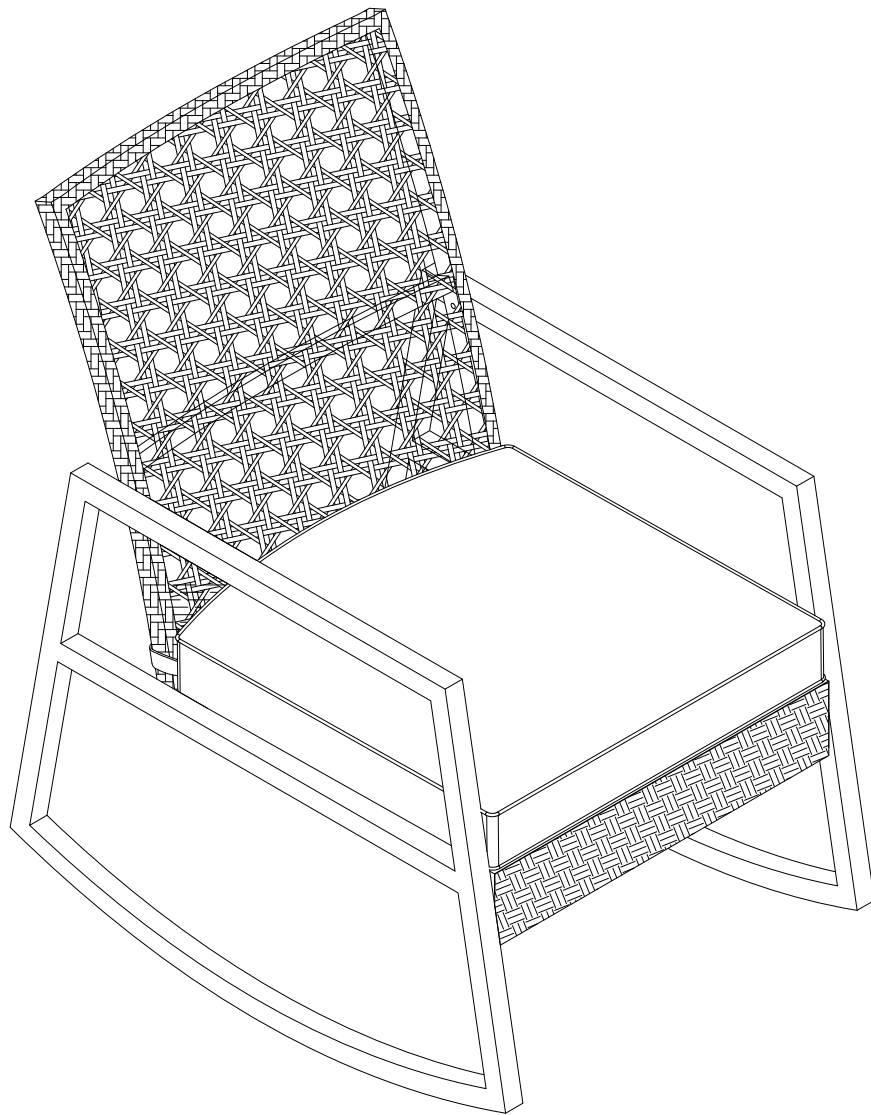
Place cushion (5) on the top of seat.

Step 5



Fasten the string on seat cushions (5) to back frame (3).

Step 6



Final Assembly