

BOSS[®]
AUDIO SYSTEMS

FULLY
MARINIZED

 **Bluetooth**[®]

MR634UAB USER'S MANUAL
BLUETOOTH[®] | FULLY MARINIZED
MP3-COMPATIBLE DIGITAL MEDIA
AM/FM RECEIVER



CONTENTS


Precautions.....	1
Lithium Battery Cell Warnings	1
Use Cautions	1
Installation	2
Installation Procedures	2
Installation Opening.....	2
Wiring Connections.....	3
Uninstall the Main Unit	3
Overview of the Components	4
General Operation	5
Turn Unit on/off.....	5
Change the Source (SRC)	5
Adjust Volume (VOL)	5
Push-To-Talk	5
Adjust Menu Options (SEL)	5
Setting the Clock	5
Mute On/Off	5
Release the detachable front panel	5
Reset	5
RADIO Operation	6
Switch Between US and EU Frequency	6
Change Bands.....	6
To Store / Recall Preset Stations.....	6
Manual Tuning / Auto Seek Tuning.....	6
Automatic Store Preset station / Preset Scan	6
LOCAL/DX	6
STEREO/MONO	6
USB Operation	7
Insert USB Device.....	7
Next/Previous Track, Fast Forward/Backward.....	7
Play / Pause	7
Introduction Scan (INT)	7
Repeat Playback (RPT)	7
Playing all tracks in Random	7
Track/Folder Navigation	7
Track Search	7
Auxiliary Operation	7
Bluetooth Operation	8
Pair and Connect	8
Make a Call	8
Redial Last Dialed Number	8
Answer / Reject / End a Call	8
Switch Audio Between Car Audio and mobile Phone	8
Adjust Call Volume	8
Audio Streaming (A2DP)	8
Push-To-Talk	8
Remote Control	9
Troubleshooting	10
Specifications	11

PRECAUTIONS

Lithium Battery Cell Warnings

- Cell leakage may cause damage to the remote control.
- Do not throw cells into fire, as this may cause an explosion.
- Keep battery cells out of reach of children.

Use cautions

- To reduce the risk of fire, electric shock, and annoying interference, do not repair yourself. Please refer serving to qualified person.
- Some MP3/WMA files may not be playable.
- Keep lower volumes to concentrate on traffic and road conditions.
- If the battery is disconnected or discharged or changed, the preset memory will be erased and must be reprogrammed.
- Installation of unit is better at a horizontal position, or if it is at an angle, it may be not working at its best situation.
- Be sure to lower the volume before switching off the unit or the ignition key.
- The use of apparatus in moderate climates.
-  The symbol indicates DC voltage.



For coin/button battery used, please refer for further information to the user manual. Attention should be drawn to the environmental aspects of battery disposal.

CAUTION

Danger of explosion if battery is incorrectly replaced.

Replace only with the same or equivalent type.

The batteries (battery pack or batteries installed) shall not be exposed to excessive heat such as sunshine, fire or the like.

WARNING

Do not ingest the battery, Chemical Burn Hazard (The remote control supplied with)

This product contains a coin/button cell battery. If the coin/button cell battery is swallowed, it can cause severe internal burns in just 2 hours and can lead to death.

Keep new and used batteries away from children.

If the battery compartment does not close securely, stop using the product and keep it away from children.

If you think batteries might have been swallowed or placed inside any part of the body, seek immediate medical attention.

INSTALLATION

Installation Procedures

First complete the electrical connections and then check for correctness.

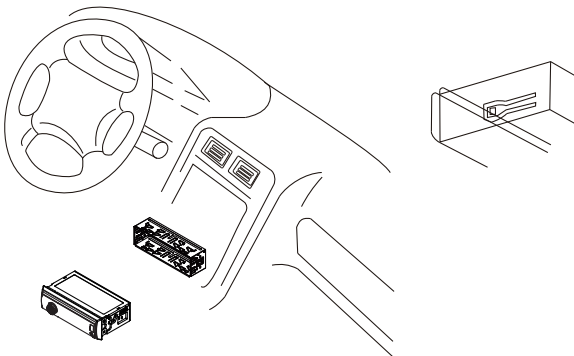
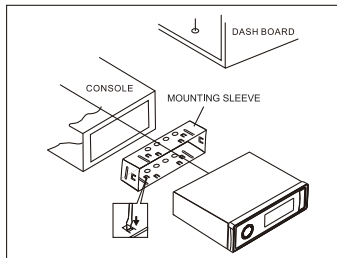
Installation Opening

This unit can be installed in any dashboard Having an opening as shown below.



Insert mounting collar into the dashboard and bend the mounting tabs out with a screwdriver.

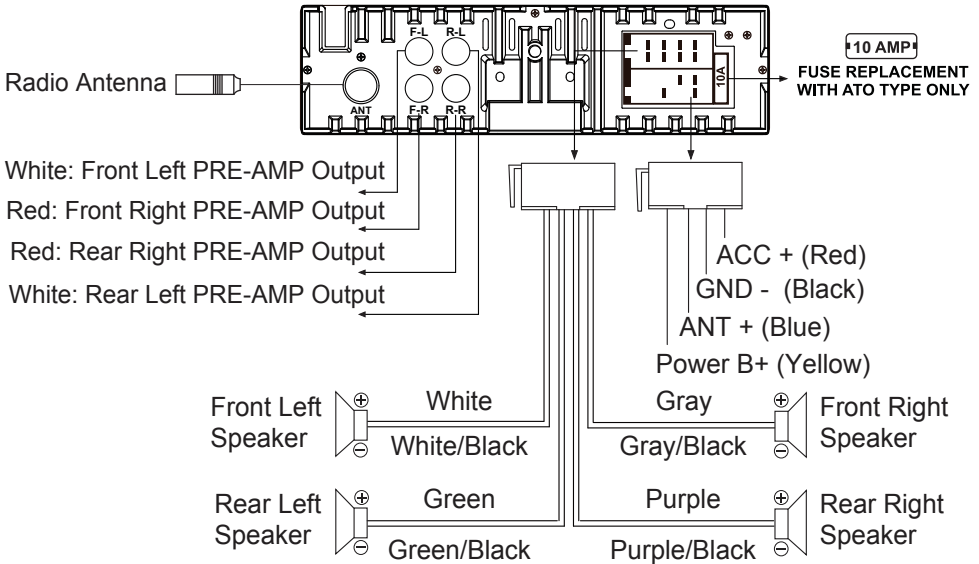
Make sure that lock lever is flush with the mounting collar(not projecting outward).



INSTALLATION(CONT.)

Connect all wiring harness and slide the head unit into the mounting collar until it clicks into place.

Wiring Connections



- Only support speakers of 4 ohms or above.
- The maximum current of the auto antenna is 200mA.
- The equipment shall be protected by the circuit with max. 10 Amperes of the front end of DC source.

Uninstall the Main Unit

1. Remove the plastic trim out from the main unit.
2. Insert a bracket key into the left and right side of the main unit and draw the unit out of the mounting sleeve.

OVERVIEW OF THE COMPONENTS



REMOVE PANEL



1. ⏻ (power on/off) / SRC (source) button
2. VOL (volume) knob, 🗣️ (Push-To-Talk) button, SEL (select/menu) button
3. BND(BAND) / AMS(automatic store station, automatic music search) and 📞 (answer call) button
4. ⏸️ (pause/play), Preset station 1 button
5. INT (intro), Preset station 2 button
6. RPT (repeat), Preset station 3 button
7. RDM (random), Preset station 4 button
8. -10(previous 10 tracks), previous folder, Preset station 5 button
9. +10(next 10 tracks), next folder, Preset station 6 button
10. CLK (clock setting), 📞 (end call) button
11. ⏮️ (tune/seek down, previous track, fast reverse) button
12. ⏭️ (tune/ seek up, next track, fast forward) button
13. Hands-free Microphone
14. LCD Display
15. MUTE button
16. IR remote sensor
17. USB Port
18. AUX IN (auxiliary input) jack
19. Release button
20. Reset button

GENERAL OPERATION

Turn Unit on/off, Change the Source

- Press the **⏻/SRC** button to turn on the unit. Press and hold the **⏻/SRC** button to turn off the unit.
- Press the **⏻/SRC** button to select the different modes: Radio, USB(with USB device inserted), AUX-IN(auxiliary input) and BT(Bluetooth) modes.

Adjust the volume (VOL)

Rotate the **VOL** knob to increase or decrease the volume level.

Push-To-Talk

Press the **☎** button (**VOL** knob) to access to smartphones voice assistant capability via Bluetooth.

Adjust Menu Options (SEL)

- Press and hold the **SEL** button to access the audio / function, then press the **SEL** button repeatedly to cycle through the following audio /function:
 - ILL MID/HI/LOW: This receiver is equipped with 3 brightness settings.
Rotate the volume knob to preset the illumination to middle, high or low.
 - BASS/TREBLE:-7, -6, ~, 1, 0, +1,~, +6, +7
 - BALANCE:L7, L6,~, L1, 0, R1,~,R6, R7
 - FADER:R7, R6, ~, R1, 0, F1, ~ ,F6, F7
 - EQ(Equalizer) Setting: OFF, CLASS, ROCK, POP, FLAT
 - Loudness: LOUD ON/OFF
 - DX/LOCAL: Enables or disables the local broadcast mode (LOCAL).
 - Stereo/Mono: Switches between MONO and STEREO reception mode for radio frequencies.
 - CLOCK 12/24: Select between 12 hours and 24 hours display.
Note: If 12 hour display is selected , AM= Morning; PM= Afternoon
 - AREA US/EU: This car radio is equipped the USA / Europe frequency.
Rotate the volume knob to switch between USA and Europe frequency.
The system will change the frequency setting in about 3 seconds.
- Rotate the **VOL** knob to adjust the selected item.

Setting the Clock

Press and hold the **CLK** button to display time. Press and hold the **CLK** button again, the hours digits start flashing on the display. Set hours by rotating the **VOL** knob. Briefly press the **CLK** button. The minute digits start flashing. Set minutes by rotating the **VOL** knob. Finally press the **CLK** button to confirm your settings.

Mute On/Off

In power on mode, briefly press the **MUTE** button to toggle mute on or off.

USB Port

Auxiliary Input Jack

Release the detachable front panel

If you want to insert or reset the unit, remove the front panel from the chassis, press the release button to detach the front panel.

Reset

Push the **RESET** button with a thin object with a pointed end to reset all parameters to factory default settings. This function may be used when the LCD does not display normally or sound is distorted, or when any of controls are disabled.

RADIO OPERATION

Switch Between USA area and Europe area Frequency

In radio mode, press and hold the **SEL** button to enter audio / function, then press the **SEL** button repeatedly to access the state of the US and EU frequency, then rotate it to switch between US(USA) and EU(europe) frequency. The system will change the frequency setting in about 3 seconds.

Change Bands

In radio mode, shortly press the **BND/AMS** button to switch between the FM1(F1), FM2(F2), FM3(F3) and AM1(A1), AM2(A2) bands.

To Store / Recall Preset Stations

The radio can be stored 6 preset stations for each band (FM1, FM2, FM3, AM1 and AM2) for a total of 30 preset stations.

- To memorize a station:

Press and hold the desired preset buttons (1-6) to save a radio station.

- To recall a preset station:

Briefly press the respective station button (1-6) to recall the corresponding preset station.

Manual Tuning

In the radio mode:

Press and hold the **▶▶** or **◀◀** button to enter the manual tuning mode.

In manual tuning mode, briefly press the **▶▶** or **◀◀** button to search the next or previous frequency step by step.

Seek Tuning

In radio mode, press the **▶▶** or **◀◀** button, the automatic search will start, it will search upward or downward for the strong signal radio station within the current band. The auto searching will stop until it finds a station.

Automatic Store Preset station (AMS)

Press and hold the **BND/AMS** button to store 18 FM stations and 12 AM stations automatically.

Automatic Preset Scan

Briefly press the **AMS** button on the remote control to recall each preset station that is stored in the memories in each band.

LOCAL/DX

In urban areas, most stations are strong enough and "LOCAL ON" mode should be selected.

Switch to LOCAL OFF mode to search for stations with weaker signals.

Press the **LOC** button on the remote control to choose local or distant reception mode.

STEREO/MONO

FM station is received in stereo mode. However, if the signal is weak or reception is not as good as you would like, switching to MONO mode usually improves the overall sound quality.

Press the **ST** button on the remote control to choose FM STEREO or MONO audio effect.

USB OPERATION

Play MP3/WMA music inside a USB stick. Insert the USB stick with MP3/WMA musics into the USB port, it will play automatically.

Note: the USB port also supports charging mobile phone, the maximum charging ability is 5V/1A.

Select Next Track or Previous Track

In the USB mode, briefly press the ►► or ◀◀ button to play the the next or previou track.

Fast Forward/Reverse

Press and hold the ►► or ◀◀ button to fast forward or reverse a track.

Play / Pause

Press the ►|| button to interrupt the playback of a music (pause function).

Press this button again to continue the playback.

Introduction Scan

Press the INT button to play the first 10 seconds of all track.

Press again to stop the introduction scan, and play the current track.

Repeat Playback

Press the RPT button to toggle between RPT ALL (Play all track), RPT FLR (Continuously repeat all tracks in current folder) and RPT ONE (Continuously repeat current track).

Playing all tracks in random

Press RDM once, play all tracks randomly.

Press RDM once again, exit from random playback.

Track/Folder Navigation

- Press the -10/+10 buttons to jump 10 tracks backward or forward.

It is required that over 10 tracks be available on the storage medium.

- Press and hold the -10/+10 button to select the previous or the next folder.

(If there are folders on the storage medium.)

Select the track or file for playback in MP3 format

a) Press and hold the BND/AMS button to enter track search mode.

First "TRK0000" will appear on the display.

b) Rotate the volume knob and select the "first number". Then press the ◀◀ button to move the "first number" to the left and enter the next number.

c) When the desired track number appears, confirm your selection by pressing SEL button.

If no any operation in 5 seconds, it will play the current track.

AUXILIARLY OPERATION

Using this socket, it is possible to hear the sound of other playback devices such as MP3 players, CD players etc. through the car loudspeaker.

1. Please connect the external device with a 3.5 mm stereo jack plug to the AUX socket.

2. Press the SRC button repeatedly until "AUX IN" appears in the display.

3. You hear the playback from the external device via the loudspeakers.

You can adjust the volume of the external device to a comfortable level with the volume control of this device.




BLUETOOTH OPERATION

Pair and Connect


Pair the mobile phone with the device before using it.

1. In any mode, prior to pairing and connecting, the BT logo in the LCD indicating that no device is connected. To begin pairing, enable BT mode on your mobile phone.
2. When the phone finds the car audio system, the "BOSS AUDIO MR634UAB" name will be displayed.
3. Choose the "BOSS AUDIO MR634UAB" from the device list to pair and connect with the car audio system. Upon confirming, the BT logo will stop flashing.
4. When pairing is complete, the mobile phone audio will automatically transfer to the car audio system whenever a call is made or received, or when the mobile phone plays music.


Make a Call

- To make a call, dial the call directly from the paired mobile phone.
- To make a call with this bluetooth handsfree system:
 - a) When linking up the Bluetooth-enabled mobile phone to this bluetooth handsfree system, press the  button to access the dial telephone number mode, then press the "0~9", * and # button on remote control to input the telephone number, and the entered number will be shown on the LCD display.
 - b) If a number has been incorrectly inputted, press the **DEL** button or  button to delete it.
 - c) Press the  button to make outgoing call.

Redial Last Dialed Number

Press and hold the  button on the control panel to redial the last dialed phone number.

Answer a Call

- When the mobile phone is called, the incoming telephone number displays on the LCD.
- To receive the call, press the  button on the front panel or remote control.

Reject or End a Call

To reject or end the call, press the  button on the front panel or remote control.

Switch Audio Between Car Audio and mobile Phone

During a call, press the **VOL** knob/button to switch the audio source from the car audio system back to your mobile phone.


Adjust Call Volume

During a call, use **VOL** knob or **VOL+** ▲ / **VOL-** ▼ button to adjust the call volume level.

Audio Streaming (A2DP)

1. Press the **SRC** button to enter BT mode and the "BT AUDIO" shown on the LCD display.
2. When a mobile device is paired, music played through that device will automatically be heard through the car audio system.
3. Press the **▶▶** or **◀◀** button to play the next or previous on the mobile phone.
4. Press the **▶||** button to pause or resume music playback.

Push-To-Talk

This Push-To-Talk feature allows direct access to Android and IOS smartphones voice assistant capability when user establish the bluetooth connection between user's smartphone and this receiver. Simply connect directly from this receiver via Bluetooth with  button (**VOL** knob).

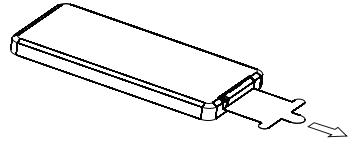
Note:

- Before using the Push-To-Talk, user must enable the mobile data on user's smartphone.
- To use the navigation feature, switch to the BT Audio source to hear voice commands over your vehicles speakers.

REMOTE CONTROL

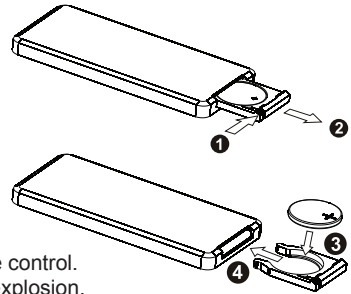
Remove Insulating Sheet

The remote control comes with an insulating sheet attached to the underside of the remote control, as illustrated on the right. The remote control will not work until the insulating sheet is removed.



Replace Lithium Battery Cell

1. When the lithium cell battery becomes weak, replace it as illustrated on the right.
2. Press and hold the movable block in the direction indicated by arrow 1. At the same time, pull the cell holder out of the remote control in the direction indicated by arrow 2.
3. Replace the old cell with a new one, making sure the (+) polarity is facing upward.
4. Re-insert the cell holder into the remote control.



- Cell leakage may cause damage to the remote control.
- Do not throw cells into fire as this may cause an explosion.
- Keep battery cells out of reach of children.

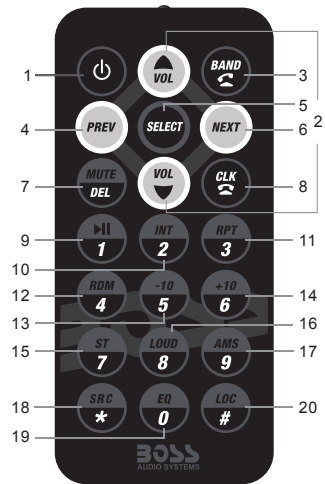
Remote Control Operation

Position the emitting window of the remote control toward the sensor window of the unit.

- The operation angle for front panel remote control reception is about 30 degrees.
- The distance between the emitting window of the remote control and the sensor window of the unit should remain less than 5 meters.

Button Names and Locations

1. ⏻ (Power on/off) button
2. VOL+/VOL- (volume increase/decrease) button
3. BAND button, 📞 (answer call) button
4. PREV: tune down, seek down; Track down, fast reverse
5. SEL (selection) button
6. NEXT: tune up, seek up; Track up, fast forward
7. Mute button, DEL (Delete) button
8. CLK (clock setting) button, 📞 (end call) button
9. ▶|| (pause) button, preset station 1 button, keypad 1
10. INT (intro) button, preset station 2 button, keypad 2
11. RPT (repeat) button, preset station 3 button, keypad 3
12. RDM (random), preset station 4 button, keypad 4
13. -10 (previous 10 tracks), preset station 5 button, keypad 5
14. +10 (next 10 tracks), preset station 6 button, keypad 6
15. ST (stereo) button, keypad 7
16. LOUD (loudness) button, keypad 8
17. AMS (automatic music search) button, keypad 9
18. SRC (Source) button, keypad *
19. EQ (Equalizer) button, keypad 0
20. LOC (local)/DX button, keypad #



Note: When using the remote control for the first time, you must pull out the protective plastic tab from the battery compartment found on the back of the remote control.

TROUBLESHOOTING

If you suspect something is wrong, immediately switch power off. Do not use the unit in abnormal condition, for example without sound, or with smoke or foul smell, can cause fire or electric shock.

Immediately stop using it and call the store where you purchased it. Never try to repair the unit by yourself because it is dangerous to do so.

■ General

1) Car's engine switch is not on.

Turn you car's key to ACC or ON.

2) Cable is not correctly connected.

Check the connection.

3) Fuse is burnt.

Replace fuse.

4) Volume is in mute or minimum.

Check volume or mute on/off, adjust volume to a desired level.

5) Sound skips.

The installation angle is more than 30°. Adjust the installation angle less than 30°.

6) The operation keys do not work.

The built-in micro- computer is not operating properly due to noise. Press the RESET button to restore the program to zero.

■ Radio

1) Much noise in broadcasts.

Station or signal is too weak. Select other stations of stronger signal level.

2) The antenna cable is not connected.

Insert the antenna cable firmly into the antenna socket of this car radio.

3) Preset station is reset.

Battery cable is not correctly connected. Connect the battery cable to the terminal that is always live.

■ USB

USB is connecting but no sound

a) USB connection is not good. Take it out and insert again.

b) USB is damaged or no music file inside. Change to another USB, or record music inside it.

SPECIFICATIONS

General

Power supply Requirement :	DC 12V
Maximum power output :	50W X 4CH
Speaker impedance :	4 - 8 Ohm
Unit Dimensions(WxHxD) :	7.0 X 2.0 X 2.76 inches
Weight :	0.88 Lb (0.4 kg)
Fuse :	10 A

RADIO

FM

Frequency Range:	87.5 MHz - 107.9 MHz (USA) 87.5 MHz - 108.0MHz (EUROPE)
Channel step:	200 KHz(USA) 50 KHz(EUROPE)

AM

Frequency Range:	530 KHz - 1710 KHz (USA) 522-1620 KHz(EUROPE)
Channel step:	10 KHz(USA) 9 KHz(EUROPE)

USB

Usable Audio Formats:	MP3/WMA
USB Port Type:	2.0
USB Charging:	5V/1A
Pre-amp Output:	Front and Rear
Frequency Response:	20 Hz - 20KHz
S/N Ratio:	60dB

BT

BT Profile supports:	Headset, Handsfree and A2DP & AVRCP
Range of frequency:	2.4GHz

BOSS[®]
AUDIO SYSTEMS



BOSS Audio Systems
3451 Lunar Court • Oxnard, CA 93030
www.bossaudio.com
805-751-4853 Customer Service
Tech Support: www.bossaudio.com/support



0721

iPod® and iPhone® are trademarks of Apple, Inc. registered in the U.S. and other countries.

BOSS Audio Systems is not affiliated with Apple, Inc. or Google, Inc.

The Bluetooth® word mark and logos are registered trademarks owned by Bluetooth SIG, Inc. and any use of such marks by BOSS Audio Systems is under license. Other trademarks and trade names are those of their respective owners.