

ITEM: 6950-75201T-80 Pole Rattan Round Dining Table Top  
 6950-75201B-80 Pole Rattan Round Dining Table Base  
 6950-75201T-99 Pole Rattan Round Dining Table Top  
 6950-75201B-99 Pole Rattan Round Dining Table Base

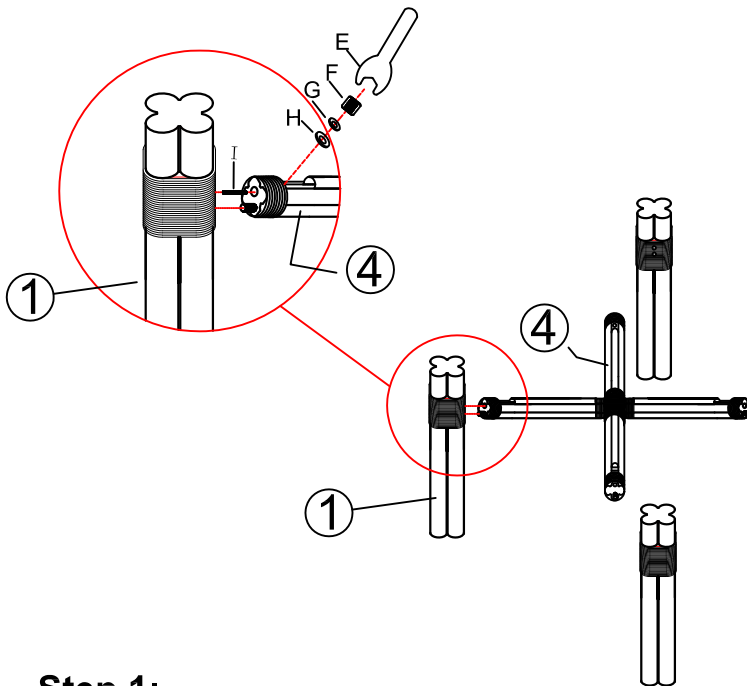
Thank you for purchasing this quality product. Be sure to unpack carefully looking for small parts which may have come loose during shipment.

Read all instruction and study the drawing carefully before starting the assembly process.

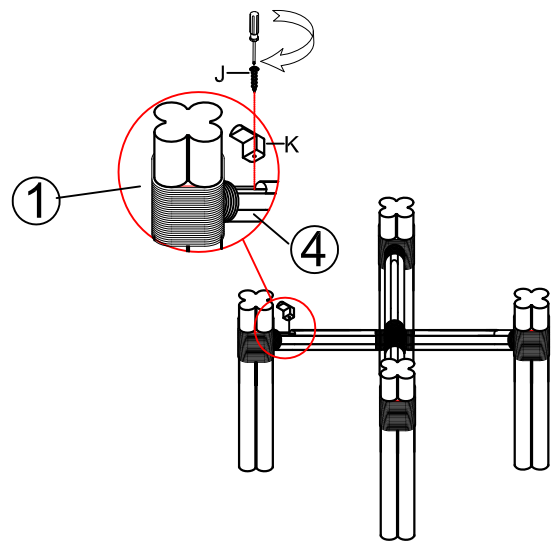
HARDWARE PACK				
NO.	DRAWING	DESCRIPTION	SIZE	Q'TY
A		Allen Wrench	73*29*5mm	1 PC
B		Bolt	Ø5/16"	16 PCS
C		Lock Washer	Ø5/16"	16 PCS
D		Flat Washer	Ø5/16"	16 PCS
E		Open Wrench	14mm	1 PC
F		Nut	Ø3/8"	4 PCS
G		Lock Washer	Ø3/8"	4 PCS
H		Flat Washer	Ø3/8"	4 PCS
I		Threaded Rod	Ø3/8"	4 PCS
J		Screw	1 1/2"	4 PCS
K		Wood Cap	48*29*37mm	4 PCS

PART LIST			
NO.	DRAWING	DESCRIPTION	Q'TY
1		Leg Post	4 PCS
2		Leaf	1 PC
3		Table Top	1 PC
4		Stretcher	1 PC
5		Mounting Plate	1 PC

**Step 2:**  
Attached wood caps (K) to stretcher (4).



**Step 1:**  
Attached leg posts (1) to stretcher (4).

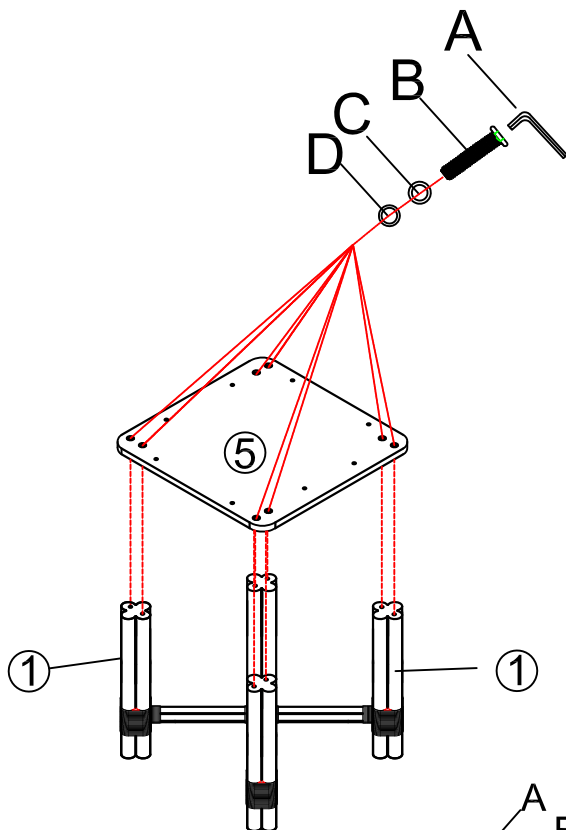


# ASSEMBLY INSTRUCTION

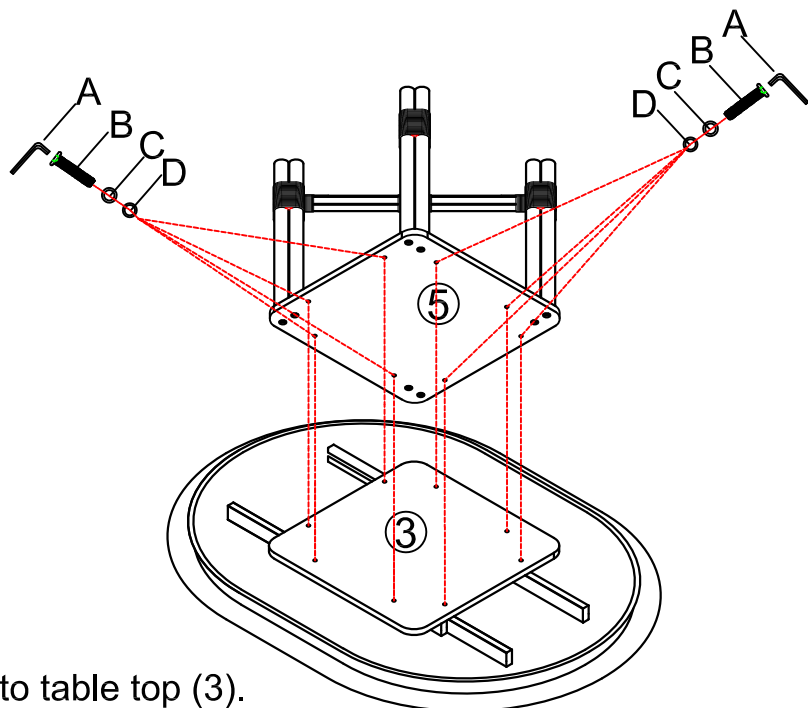
ITEM: 6950-75201T-80 Pole Rattan Round Dining Table Top  
6950-75201B-80 Pole Rattan Round Dining Table Base  
6950-75201T-99 Pole Rattan Round Dining Table Top  
6950-75201B-99 Pole Rattan Round Dining Table Base

Thank you for purchasing this quality product. Be sure to unpack carefully looking for small parts which may have come loose during shipment.

Read all instruction and study the drawing carefully before starting the assembly process.

**Step 3:**

Attached mounting plate (5) to the top of the leg posts (1).

**Step 4:**

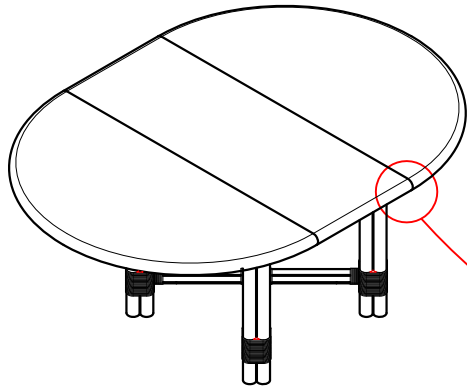
Attached table base to table top (3).

# ASSEMBLY INSTRUCTION

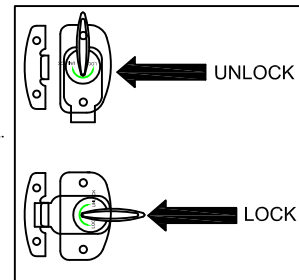
ITEM: 6950-75201T-80 Pole Rattan Round Dining Table Top  
6950-75201B-80 Pole Rattan Round Dining Table Base  
6950-75201T-99 Pole Rattan Round Dining Table Top  
6950-75201B-99 Pole Rattan Round Dining Table Base

Thank you for purchasing this quality product. Be sure to unpack carefully looking for small parts which may have come loose during shipment.

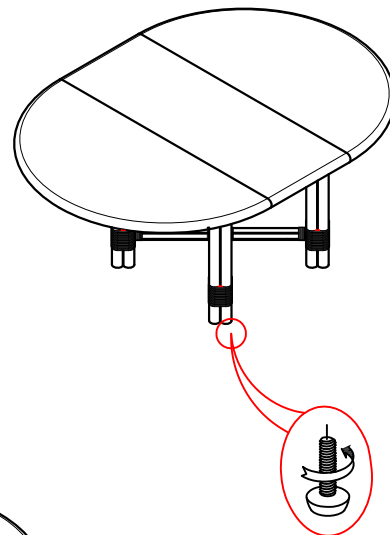
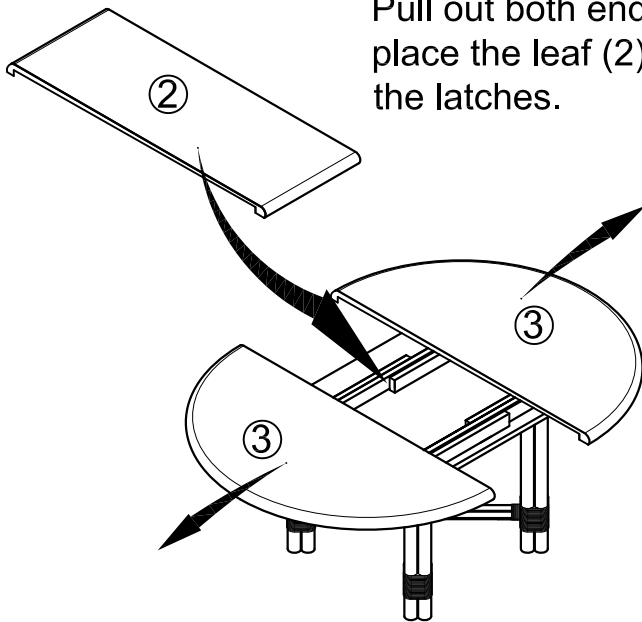
Read all instruction and study the drawing carefully before starting the assembly process.



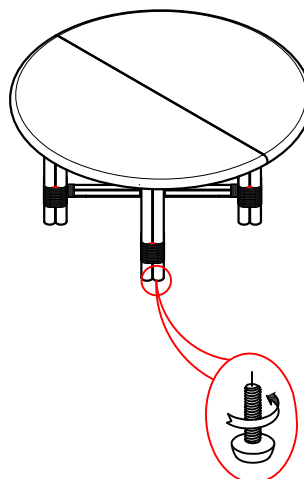
**Step 5:**  
Unlock the latches at the bottom of table top (3).



**Step 6:**  
Pull out both ends of table top (3) as the arrow direction, place the leaf (2) between and push them together, lock the latches.



Note: Take opposite actions to remove table leaf.



Adjust leveler if needed to level table on uneven floor.