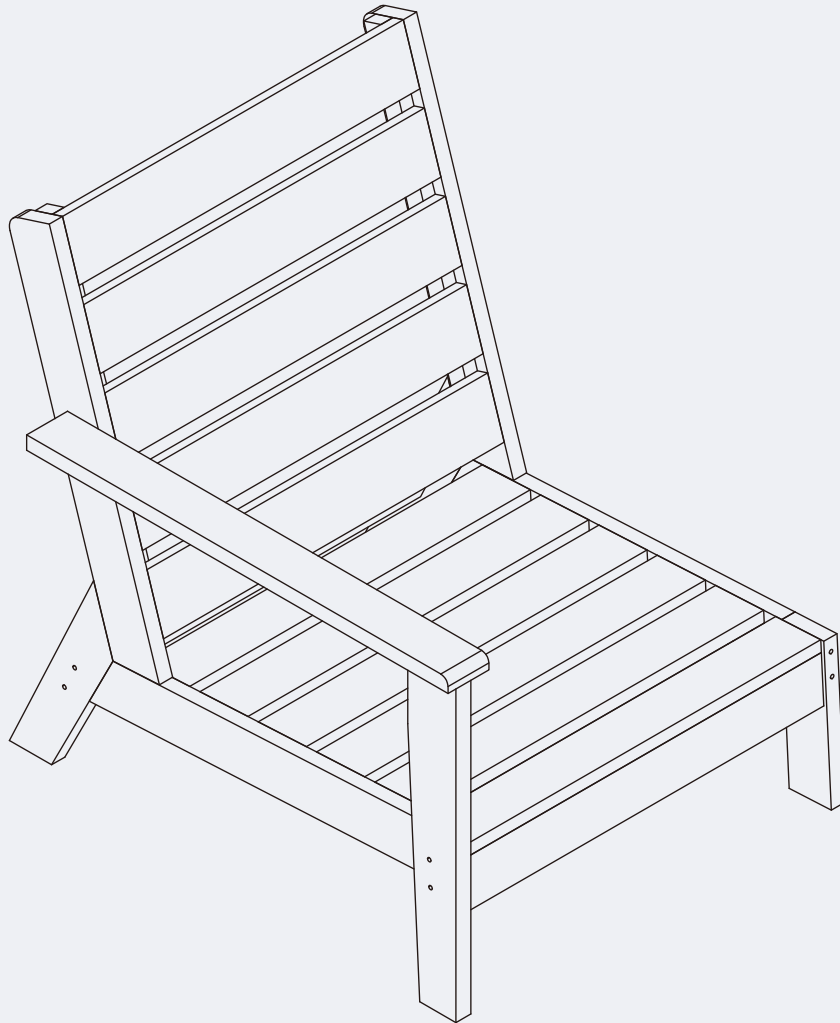


INSTRUCTION MANUAL



Deep Seating Left Arm Facing Chair

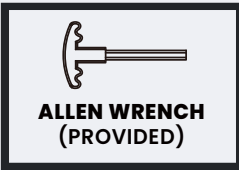
V1.0

! CARE & MAINTENANCE

Please keep this instruction for your future reference.

- Be careful when assembling, avoid hurting the plating of the surface.
- Clean the chair with lukewarm water, mild detergent & soft cloth.
- Firmly secure all bolts before use, do not use any part of this item as a step ladder.
- Reconfirm that all bolts, screws, and nuts are secure every 90 days.
- Do not use or store this item in the proximity of open flame or flammable/combustible chemicals.
- Be aware that some parts are heavy and have sharp edges.
- Do not overtighten screws (insert all screws before tighten screws)

TOOLS REQUIRED



**330 LBS
CAPACITY**

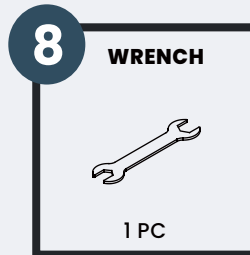
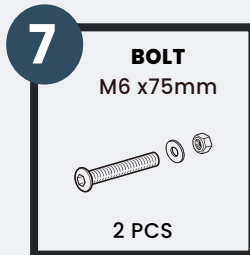
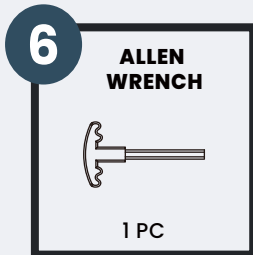
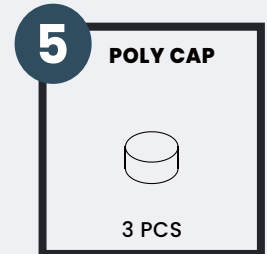
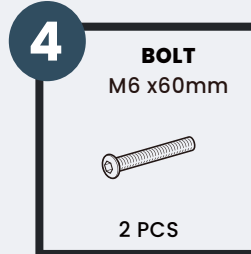
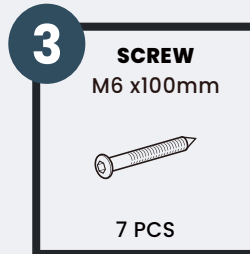
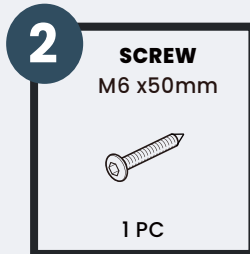
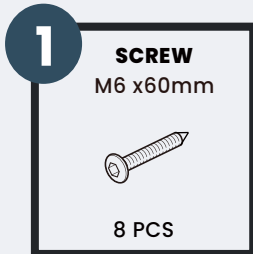


**2 PERSON
ASSEMBLY**

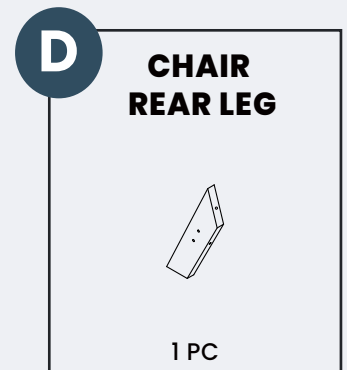
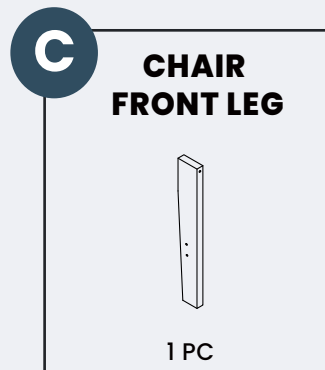
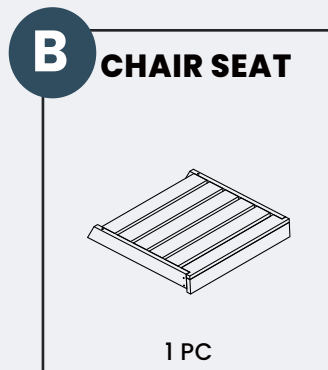
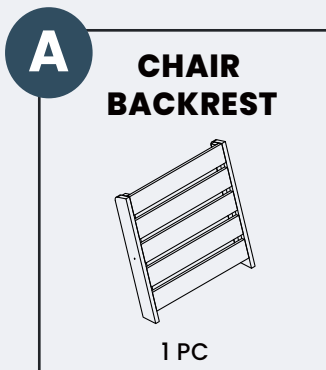


**UP TO 30 MIN.
ASSEMBLY**

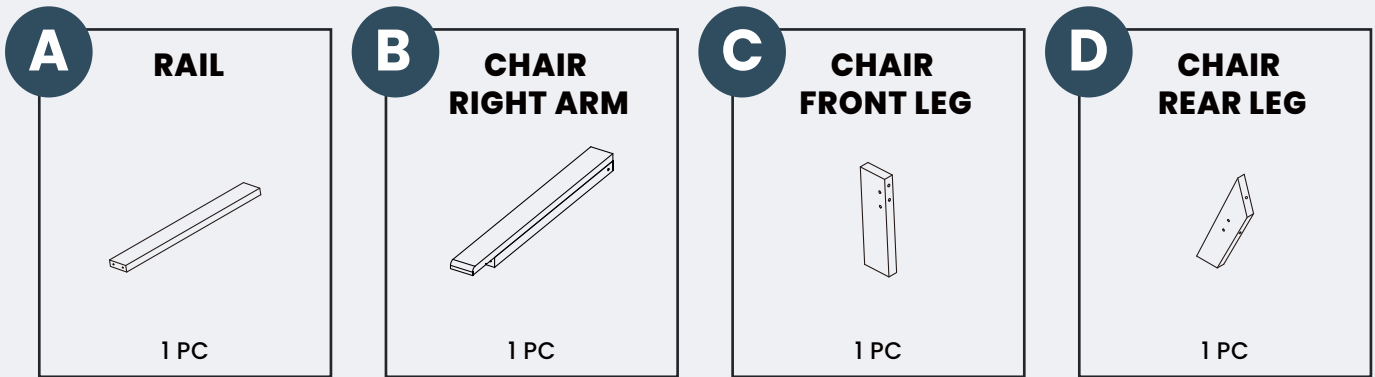
HARDWARE



PARTS

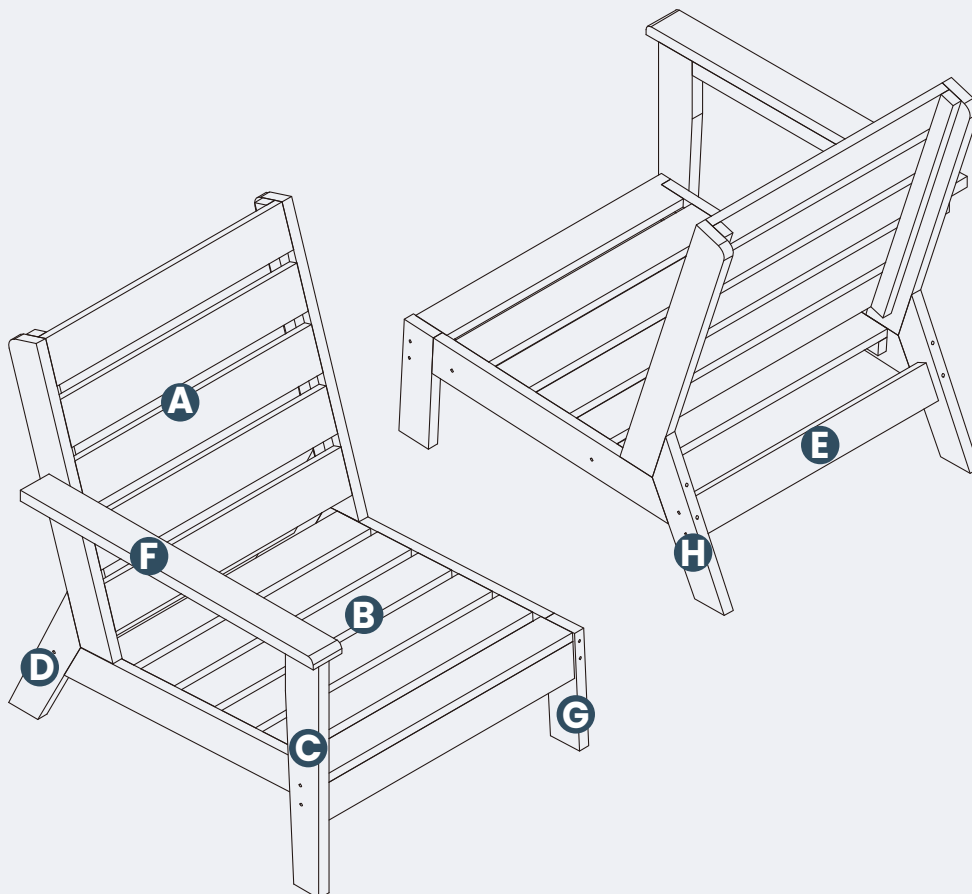


PARTS



PRODUCT ASSEMBLY - OVERALL VIEW

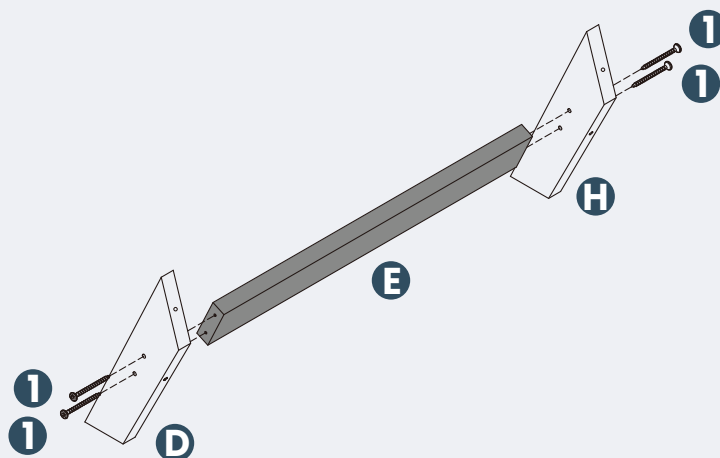
Look at following overall view of this chair and learn the exact position of each parts to be assembled.



PRODUCT ASSEMBLY

1

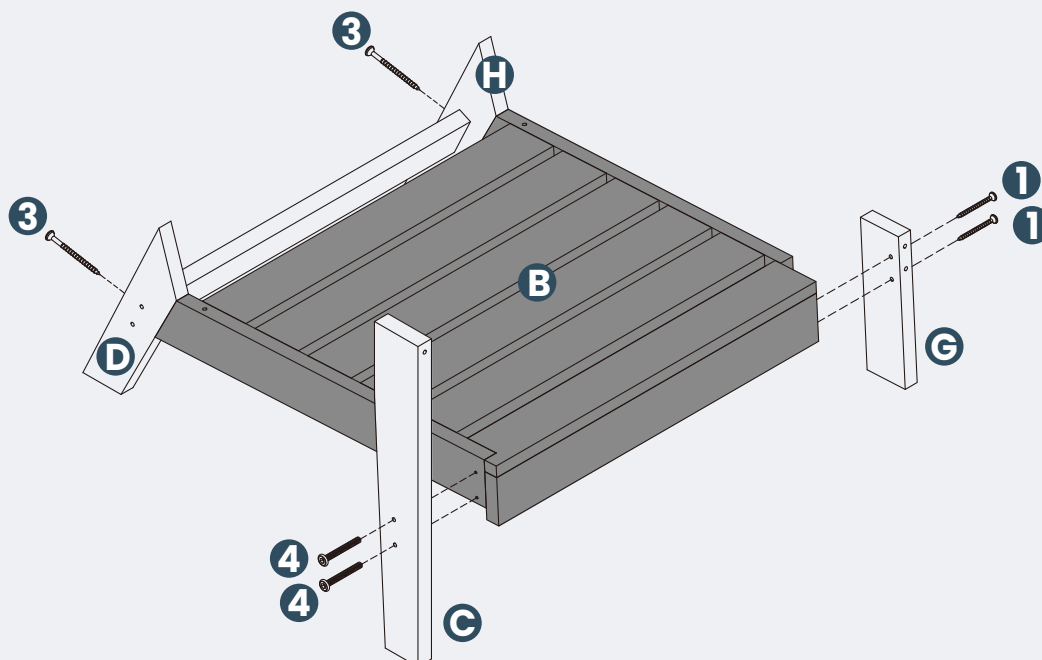
Attach **part E Rail** to **part D** and **part H Rear Leg** with 4pcs of hardware **1 screw**.



PRODUCT ASSEMBLY

2

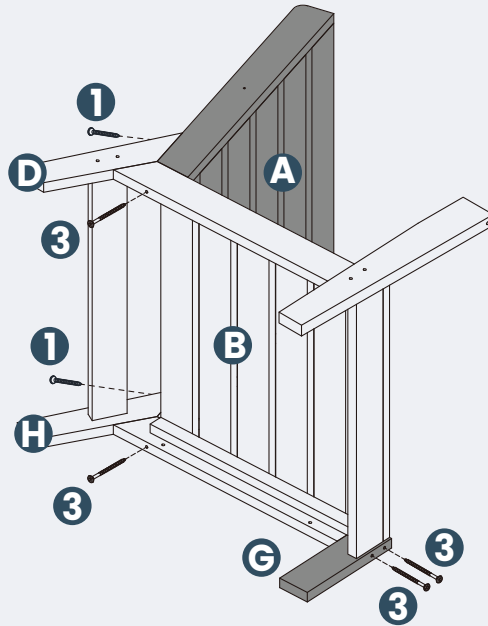
Attach **part D** and **part H Rear leg** to **part B Seat** with 2pcs of hardware **3 screw**.
Attach **part C Front leg** to **part B Seat** with 2pcs of hardware **4 bolt**.
Attach **part G Front leg** to **part B Seat** with 2pcs of hardware **1 screw**.



PRODUCT ASSEMBLY

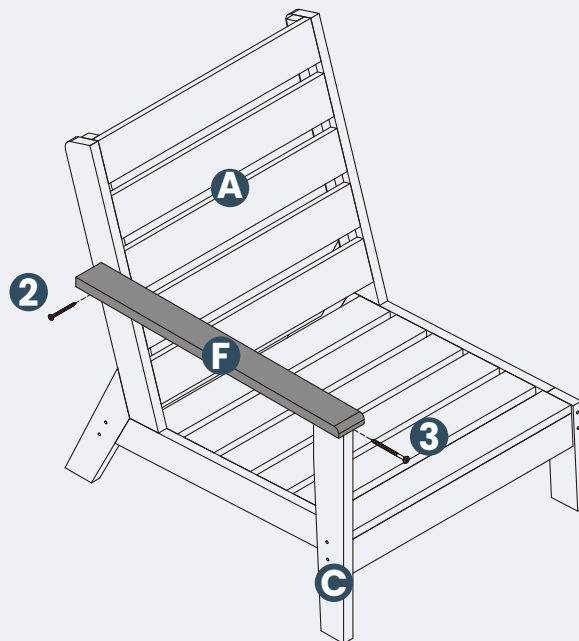
3

Attach **part A Backrest** to **part B Seat** with 2pcs of hardware **3 screw**.
Attach **part D** and **part H Rear leg** to **part A Backrest** with 2pcs of hardware **1 screw**.
Attach **part G Front leg** to **part B Seat** with 2pcs of hardware **3 screw**.



4

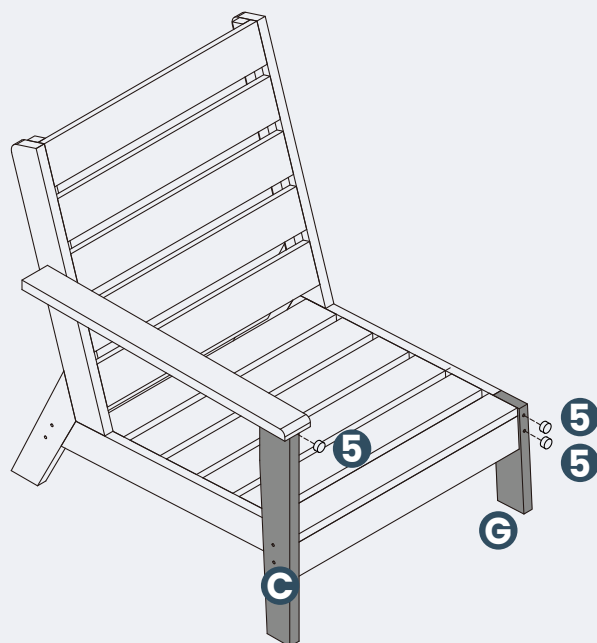
Attach **part F Right arm** to **part A Backrest** with 1pcs of hardware **2 screw**.
Attach **part F Right arm** to **part C Front leg** with 1pcs of hardware **3 screw**.



PRODUCT ASSEMBLY

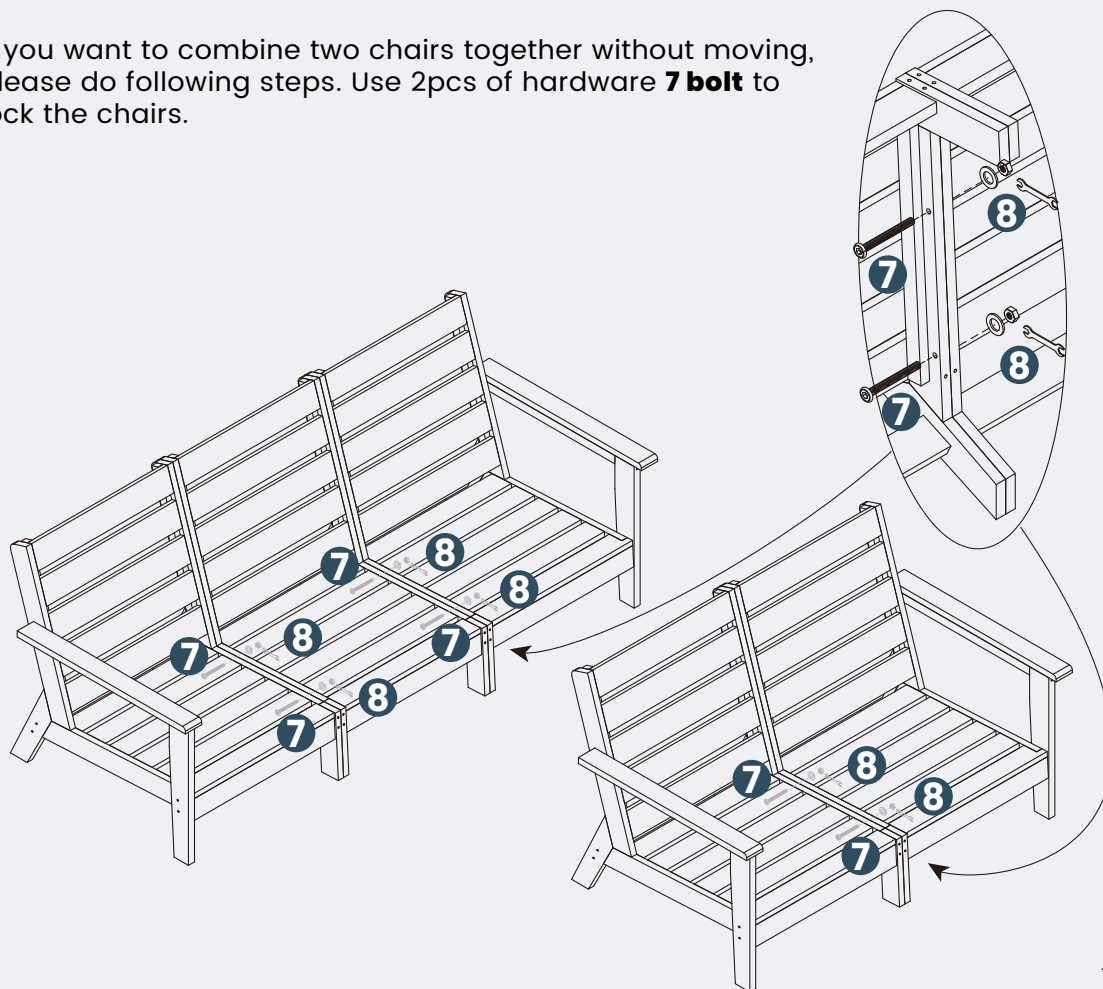
5

The poly cap here is not easy to remove after being plugged in, and may cause the arm and front leg can not be disassembled. Please pay attention to it and decide whether you really need this poly cap or not during assembly.



6

If you want to combine two chairs together without moving, please do following steps. Use 2pcs of hardware **7 bolt** to lock the chairs.



CLEANING TIPS

REGULAR CLEAN: Use a mixture of warm water and mild soap. Gently scrub the surface with a soft bristle brush to remove any dirt or stains.

QUICK CLEAN: You can simply wipe down the furniture with a damp cloth.

Regular cleaning not only preserves the aesthetic appeal of your furniture, but also helps extend its lifespan.