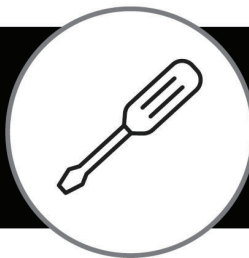


# Assembly Guide



**Bush**  
FURNITURE

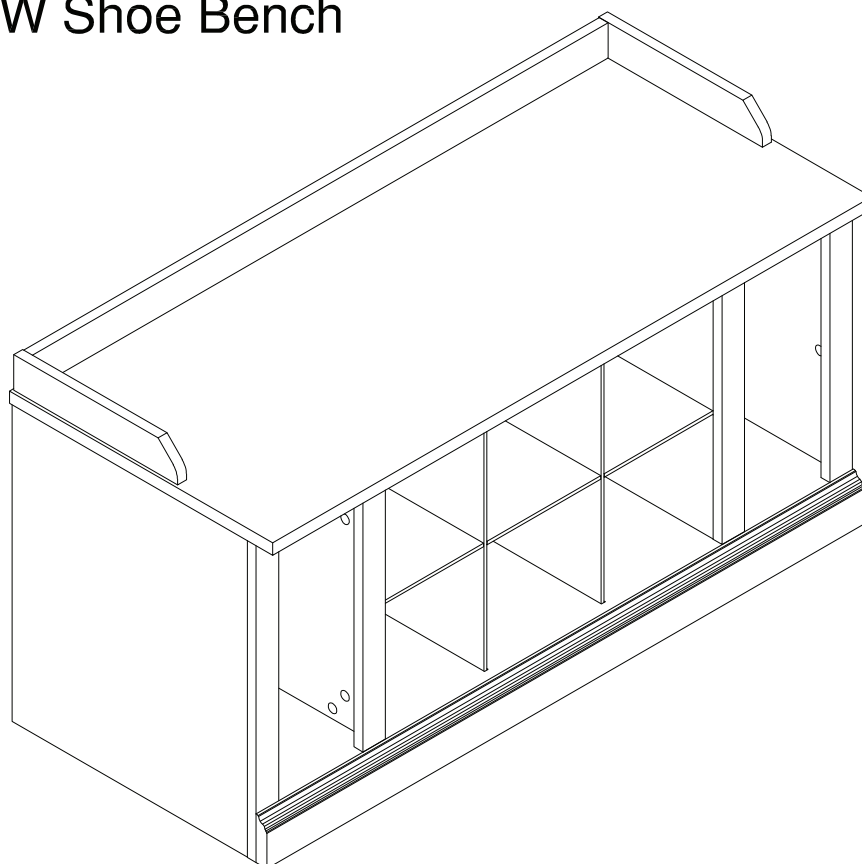


If you're having any difficulty during assembly of this product, don't hesitate to call us at **1-800-950-4782.**

Our customer service experts are trained to provide step-by-step instruction and can easily replace any missing or damaged parts.

**Representatives are available Monday-Friday from 8:30 a.m. to 7:30 p.m. (ET)**

## 40W Shoe Bench



Lot Code #

Part Number A217015

Keep manual for future reference.

# Bush<sup>®</sup>

## FURNITURE

**Thank you for purchasing** this Bush Furniture product. We trust that you will be completely satisfied with your product for many years to come. Bush Furniture products are backed by a 3-year warranty and crafted with today's styles in mind for the way you work. **Do not return product to store — contact us first at 1-800-950-4782.**

**Merci d'avoir acheté** ce produit Bush Furniture. Nous sommes sûr que vous serez complètement satisfait de votre meuble pendant de nombreuses années. Les produits Bush Furniture sont garantis pendant 3 ans et sont conçus dans les styles actuels tout en gardant à l'esprit votre façon de travailler. **Ne renvoyez pas le produit au magasin, contactez-nous d'abord au 1-800-950-4782.**

**Gracias por comprar** este producto de Bush Furniture. Confiamos que usted estará completamente satisfecho con su mueble por muchos años. Los productos de Bush Furniture tienen 3 años de garantía y son diseñados con los estilos de hoy en mente para la manera que usted vive. **No devuelva el producto a la tienda, primero comuníquese con nosotros al 1-800-950-4782.**

## CONTACT US

Monday – Friday  
8:30 a.m. – 7:30 p.m. ET  
(Except Holidays)

Bush Consumer Services  
One Mason Drive, P.O. Box 460  
Jamestown, NY 14701  
ConsumerService@Bushindustries.com

**1-800-950-4782 USA/CANADA**  
**001-800-950-4782 MEXICO**  
Se habla español  
Outside USA/CANADA/MEXICO  
001-716-665-2510 Ext. 4514

## IT'S AS EASY AS 1,2,3

### Assembly tips:

1. Read the instructions and become familiar with the parts.
2. Ensure this carton contains all parts, fasteners and hardware.
3. To protect floors, assemble the furniture on the carton.
4. An assistant may be helpful.
5. Use of power tools is not recommended.

### Conseils d'assemblage:

1. Lisez les instructions et familiarisez-vous avec les pièces.
2. Assurez-vous que le carton contient toutes les pièces, toutes les pièces de fixation et toute la quincaillerie.
3. Pour protéger vos sols, assemblez le meuble sur le carton.
4. Il peut être utile de vous faire aider.
5. L'utilisation d'outils électriques n'est pas recommandée.

### Consejos de Ensamblaje:

1. Lea las instrucciones y familiarícese con las partes.
2. Asegúrese de que esta caja contenga todas las piezas, los sujetadores y el equipo.
3. Para proteger el piso, ensamble el mueble en el carton.
4. Un asistente puede serle útil.
5. El uso de herramientas eléctricas no se recomienda.



## CONSUMER SERVICE

### YOU CAN DEPEND ON

**Questions?** Operators are standing by at our TOLL-FREE help line to assist you with assembly; and, if necessary, to quickly replace damaged/missing parts. Assistance is available 5 days a week. Simply have your store receipt, instruction manual, and part number/description ready when you call our TOLL-FREE help line. It's that easy.

UN SERVICE CLIENTELE SUR LEQUEL VOUS POUVEZ COMPTER

**Des questions?** Des opérateurs sont prêts sur notre ligne d'assistance GRATUITE pour vous aider à l'assemblage et, si nécessaire, remplacer rapidement les pièces endommagées/manquantes. L'assistance est disponible 5 jours par semaine. Ayez simplement votre reçu de magasin, votre manuel d'instruction et le numéro de pièces/description à votre disposition lorsque vous appelez notre ligne d'assistance GRATUITE. C'est aussi simple que ça.

SERVICIO AL CONSUMIDOR CON EL QUE PUEDE CONTAR

**¿Preguntas?** Los operadores están listos para ayudarlo con el ensamblaje a través de una línea de ayuda GRATUITA, y en caso de ser necesario, reemplazar de inmediato las piezas dañadas o faltantes. La asistencia está disponible los 5 días de la semana. Solamente tenga listos su recibo de compra, manual de indicaciones y número/descripción de la pieza al momento de llamarnos a la línea de ayuda GRATUITA. Es así de sencillo.

[www.bushfurniture.com](http://www.bushfurniture.com)

**For best results, keep these tips in mind:**

- ① We know you want to finish this assembly as quickly as possible, but trust us: you'll have a better experience if you take it one step at a time.
- ② Give yourself some room to work near where you want the fully assembled product.
- ③ If your floor isn't carpeted, assemble this product on the empty carton to avoid scratching.
- ④ Do you have a friend who owes you a favor? Some steps may go a little easier with a second set of hands.

**DOs**

- ✔ Use a #2 Phillips head screwdriver (or other handheld tools as indicated)
- ✔ Wear safety glasses at all times during assembly
- ✔ Carefully follow the instructions in this guide and complete all steps in order
- ✔ Give us a call if you're having trouble with a particularly tricky step

**DON'Ts**

- ✘ We know power tools are quick and easy, but you shouldn't use them when assembling this product (unless otherwise specified)
- ✘ Never move your furniture with items inside or resting on the surface
- ✘ Do not attempt to use this product before all steps have been completed

**Watch assembly videos right on your phone or computer!**

Some steps include QR codes that link to helpful videos. Watch out for the icon below! Simply open up your smartphone camera to scan the code.

*(Users of older smartphones may need to install a QR Reader.)*

**SCAN HERE****FOR VIDEOS**

Or visit <https://bushfurniture.com/help-faq/#assembling>

## IMPORTANT SAFETY INFORMATION



# PLEASE READ WARNINGS

Improper use can cause safety hazards, or damage to your furniture and household items.

Warning	Do	Don't	Why it's important
<b>Serious injury or death may occur.</b>	<ul style="list-style-type: none"><li>• Assemble following all instructions using all indicated parts and hardware provided.</li><li>• Install tip-over restraint provided.</li><li>• Install every indicated nail and/or screw.</li><li>• Verify Furniture is stable on it's own.</li><li>• Remove all items from shelves before moving or lifiting.</li><li>• Only place hall tree against a permanent wall at least as tall as this product or place back to back with another hall tree of the same height.</li></ul>	<ul style="list-style-type: none"><li>• Do not move unit when loaded.</li><li>• Do not load with a television or other heavy equipment.</li><li>• Do not exceed the maximum load limits stated in the instructions.</li><li>• Do not allow children to stand, climb, or hand on furniture.</li></ul>	Improper assembly, use or loading can lead to product instability, tipover, or collapse.

## IMPORTANT SAFETY INFORMATION



# PLEASE READ WARNINGS

Improper use can cause safety hazards, or damage to your furniture and household items.

Advertencia	Hacer	No	Por qué es importante
<b>Pueden producirse lesiones graves o la muerte.</b>	<ul style="list-style-type: none"><li>• Realice el montaje siguiendo todas las instrucciones y utilizando todas las piezas indicadas y los herrajes suministrados.</li><li>• Instale el sistema de retención antivuelco suministrado.</li><li>• Instale todos los clavos y/o tornillos indicados.</li><li>• Compruebe que el mueble sea estable por sí mismo.</li><li>• Retire todos los artículos de los estantes antes de desplazar o levantar el producto.</li><li>• Coloque el árbol de pasillo sólo contra una pared permanente que sea al menos tan alta como este producto o colóquelo espalda con espalda con otro árbol de pasillo de la misma altura.</li></ul>	<ul style="list-style-type: none"><li>• No mueva la unidad cuando esté cargada.</li><li>• No cargue el mueble con un televisor u otro equipo pesado.</li><li>• No supere los límites máximos de carga indicados en las instrucciones.</li><li>• No permita que los niños se pongan de pie, trepen o se cuelguen de los muebles.</li></ul>	El montaje, uso o carga inadecuados pueden provocar inestabilidad, vuelco o colapso del producto.

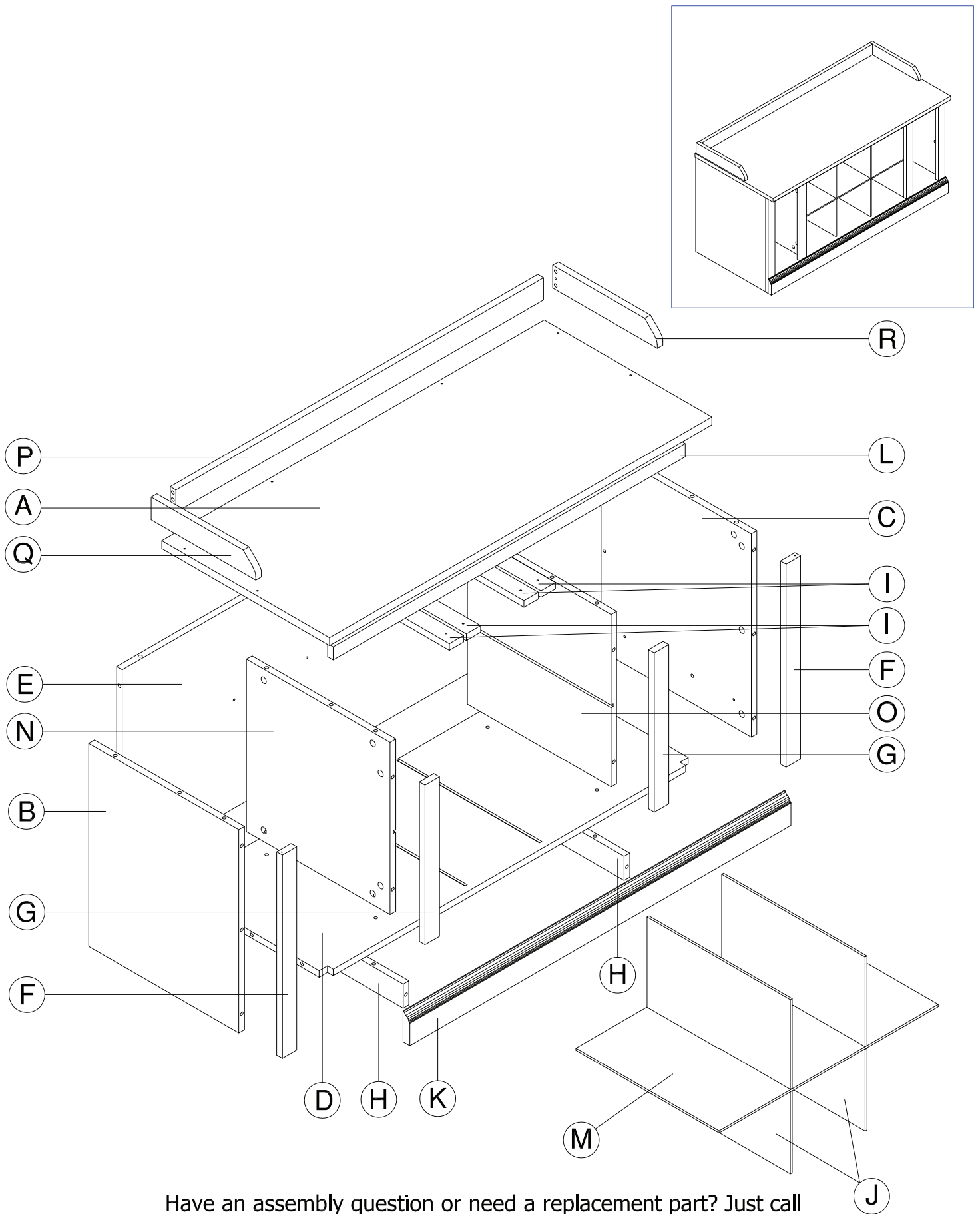
## IMPORTANT SAFETY INFORMATION



# PLEASE READ WARNINGS

Improper use can cause safety hazards, or damage to your furniture and household items.

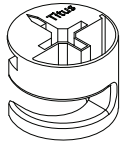
Avertissement	À faire	À ne pas faire	Pourquoi c'est important
<b>Peut entraîner des blessures graves ou la mort.</b>	<ul style="list-style-type: none"><li>• Assembler en suivant toutes les instructions et en utilisant toutes les pièces et la quincaillerie incluses.</li><li>• Installer le matériel de fixation mural inclus.</li><li>• Installer tous les clous et/ou toutes les vis.</li><li>• Assurez-vous que le meuble soit stable par lui-même.</li><li>• Retirez tous les articles des tablettes avant de déplacer ou de soulever.</li><li>• Placer le portemanteau contre un mur permanent au moins aussi haut que ce produit ou le placer dos à dos avec un autre portemanteau de la même hauteur.</li></ul>	<ul style="list-style-type: none"><li>• Ne pas déplacer le meuble lorsqu'il est chargé.</li><li>• Ne pas charger le meuble avec un téléviseur ou tout autre équipement lourd.</li><li>• Ne pas dépasser les limites de poids maximales indiquées dans les instructions.</li><li>• Ne pas laisser les enfants se tenir sur les meubles, y grimper ou s'y suspendre.</li></ul>	Un assemblage, une utilisation ou un chargement incorrects peuvent entraîner l'instabilité, le basculement ou l'effondrement du produit.



Have an assembly question or need a replacement part? Just call  
**1-800-950-4782**, we are here to help.

Fasteners are shown actual size.

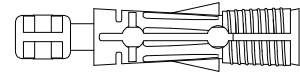
H181468



[ 41 ]

KD Cam

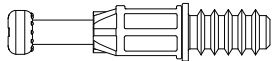
H171556



[ 20 ]

Quick Connect

H72988



[ 21 ]

KD Bolt

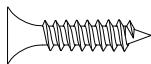
H38169



[ 14 ]

Wood Dowel  
8 x 30mm

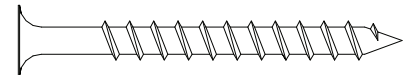
H208916



[ 12 ]

#8 x 3/4"

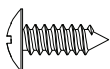
H23491



[ 6 ]

#10 x 2"

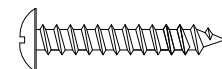
H211930



[ 14 ]

#8 -18x 15/32"

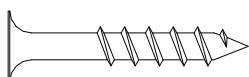
H150019



[ 12 ]

#8 x 1"

H26053



[ 2 ]

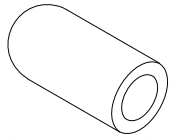
#10 x 1-1/4"

Have an assembly question or need a replacement part? Just call  
**1-800-950-4782**, we are here to help.



Hardware not to scale.

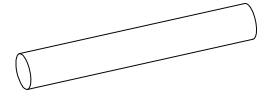
H126396



[ 3 ]

Shelf Pin Sleeve

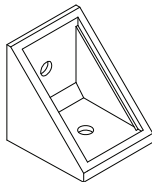
H23604



[ 3 ]

Shelf Pin 1"x 3/16"

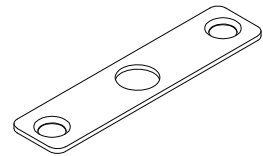
H137197



[ 7 ]

Bracket

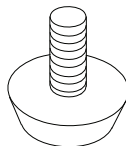
H201564



[ 6 ]

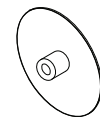
Leveler Bracket

H201565



[ 6 ]

Leveler

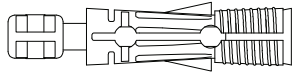


[ 20 ]

Cover Cap

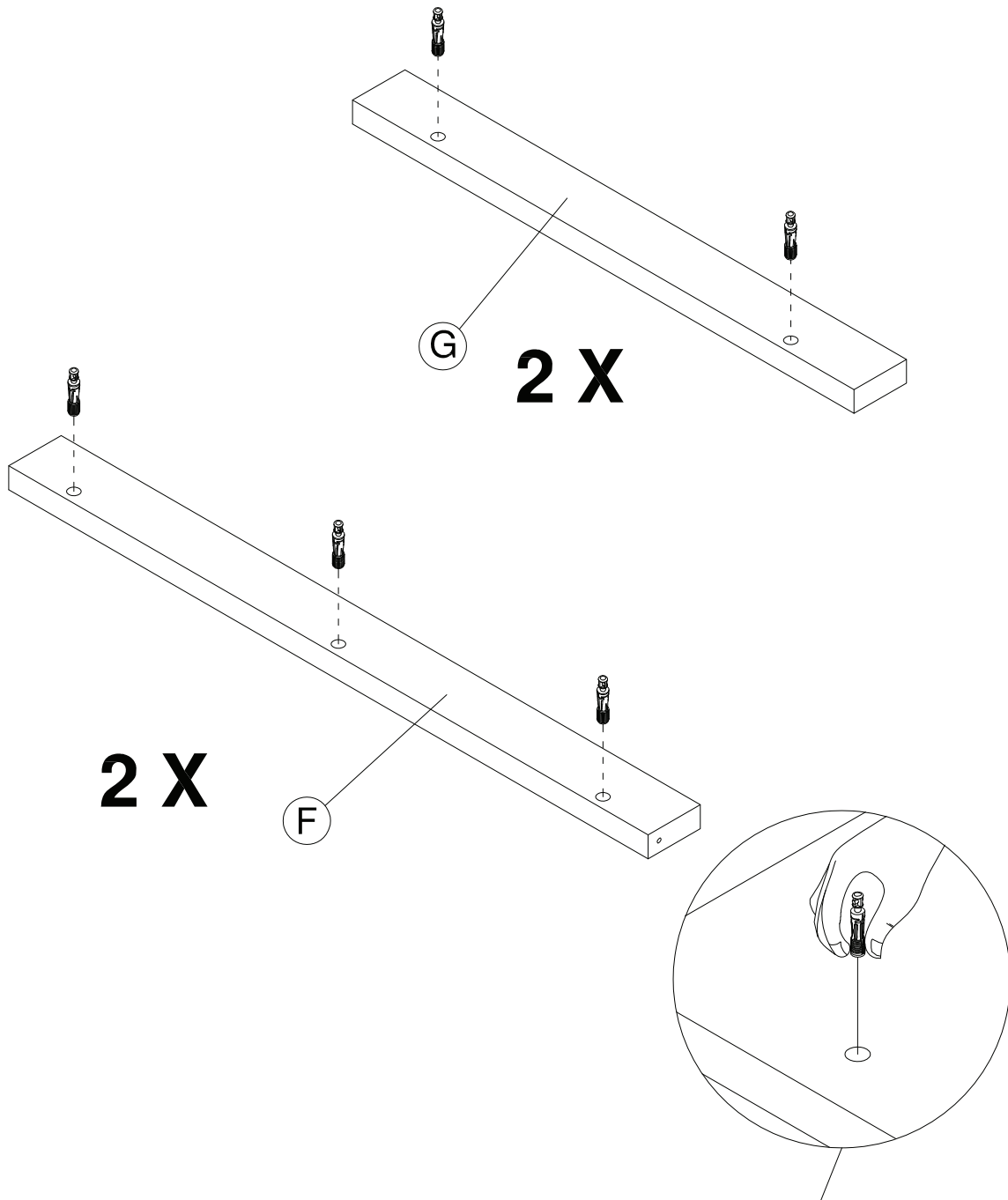
Have an assembly question or need a replacement part? Just call  
**1-800-950-4782**, we are here to help.

H171556



[ 10 ]

Quick Connect

**2 X****2 X**

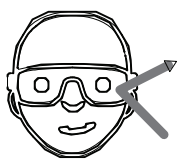
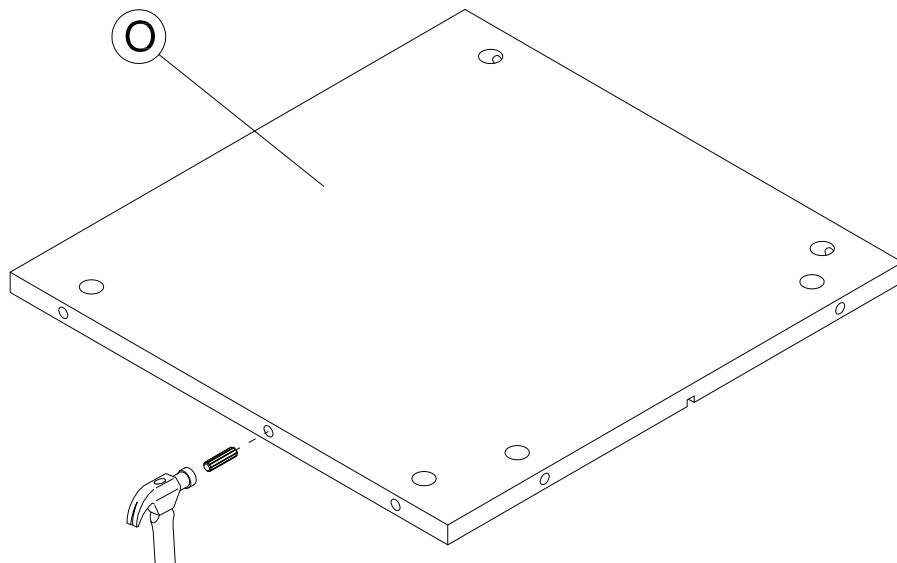
MAY HAVE TO SQUEEZE PLASTIC TO INSERT INTO HOLE.  
PUEDE TENER QUE APRETAR PLÁSTICO PARA INSERTAR EN EL AGUJERO.  
PEUT AVOIR À PRESSER EN PLASTIQUE À INSÉRER DANS LE TROU.

Have an assembly question or need a replacement part? Just call  
**1-800-950-4782**, we are here to help.

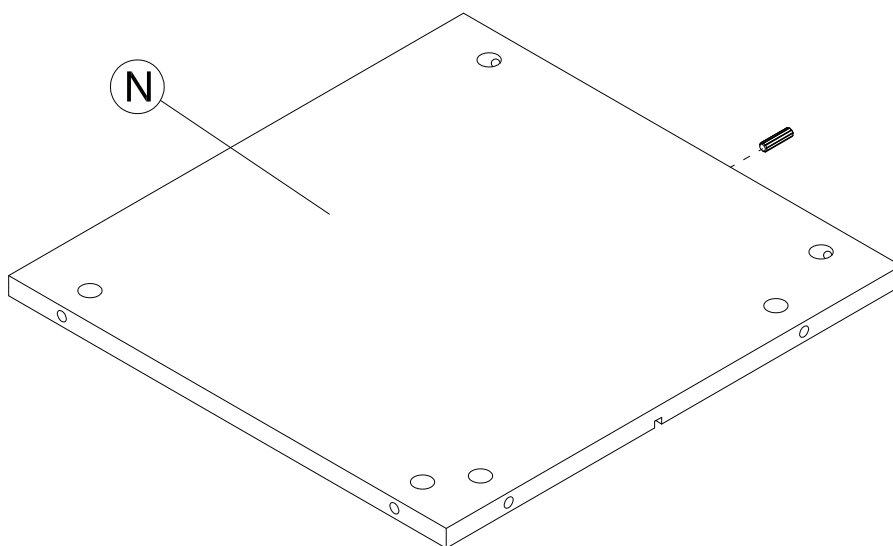
H38169 [ 2 ]



Wood Dowel  
8 x 30mm



Safety glasses  
Gafas de seguridad  
Lunettes de protection



Have an assembly question or need a replacement part? Just call  
**1-800-950-4782**, we are here to help.

# STEP 3

# Assemble Panels

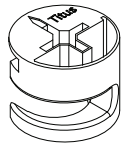
A217015

Scan QR Code to Watch Video on:



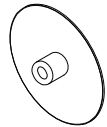
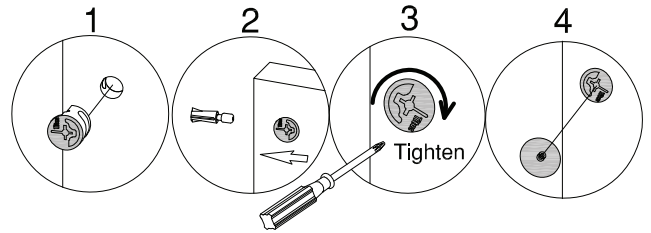
How to Tighten KD Cams

H181468



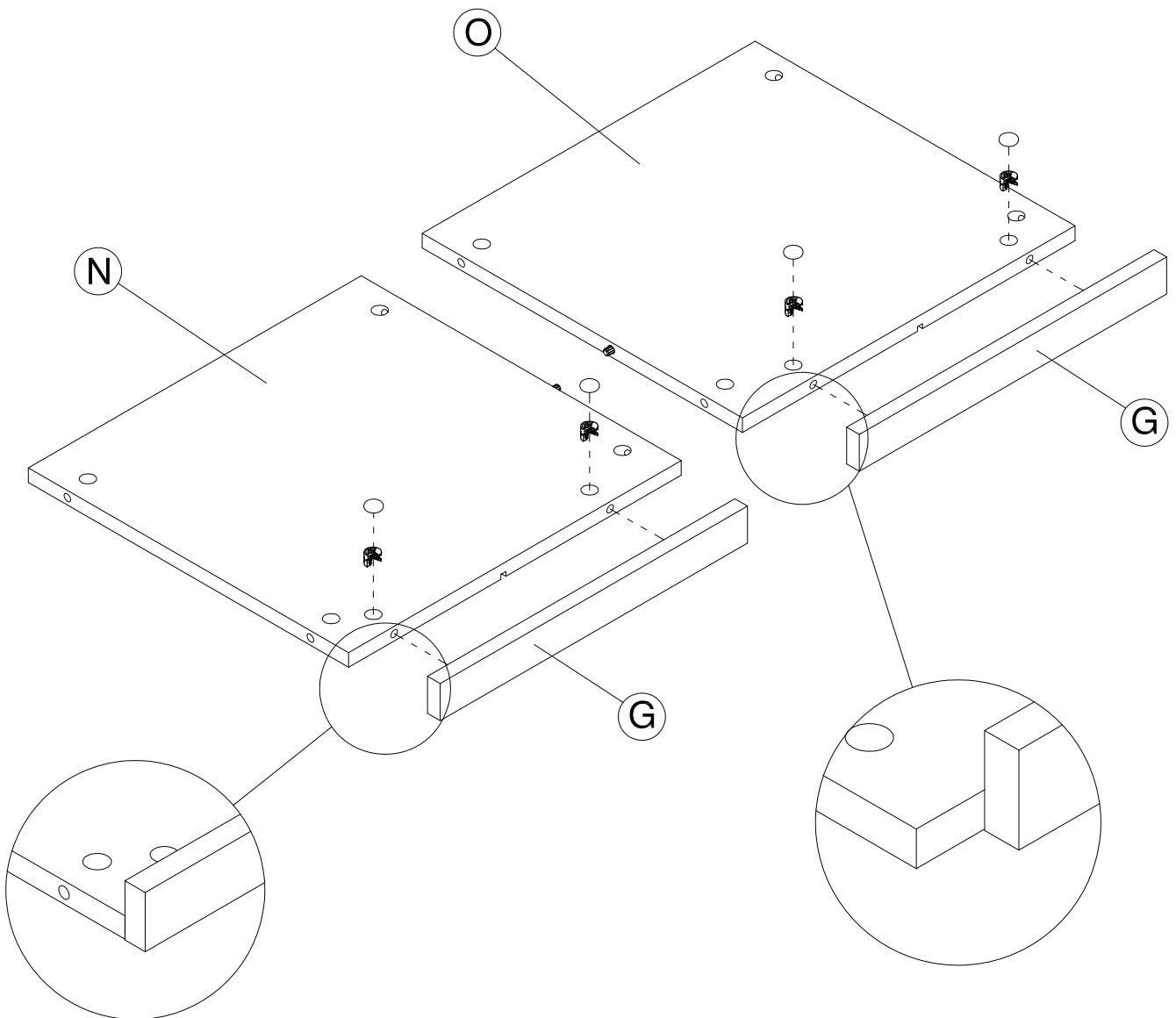
[ 4 ]

KD Cam



[ 4 ]

Cover Cap



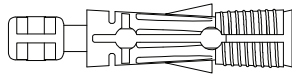
Have an assembly question or need a replacement part? Just call **1-800-950-4782**, we are here to help.

# STEP 4

# Prepare Panel

A217015

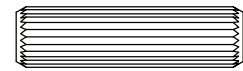
H171556



[ 4 ]

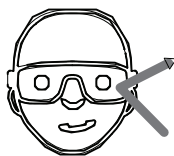
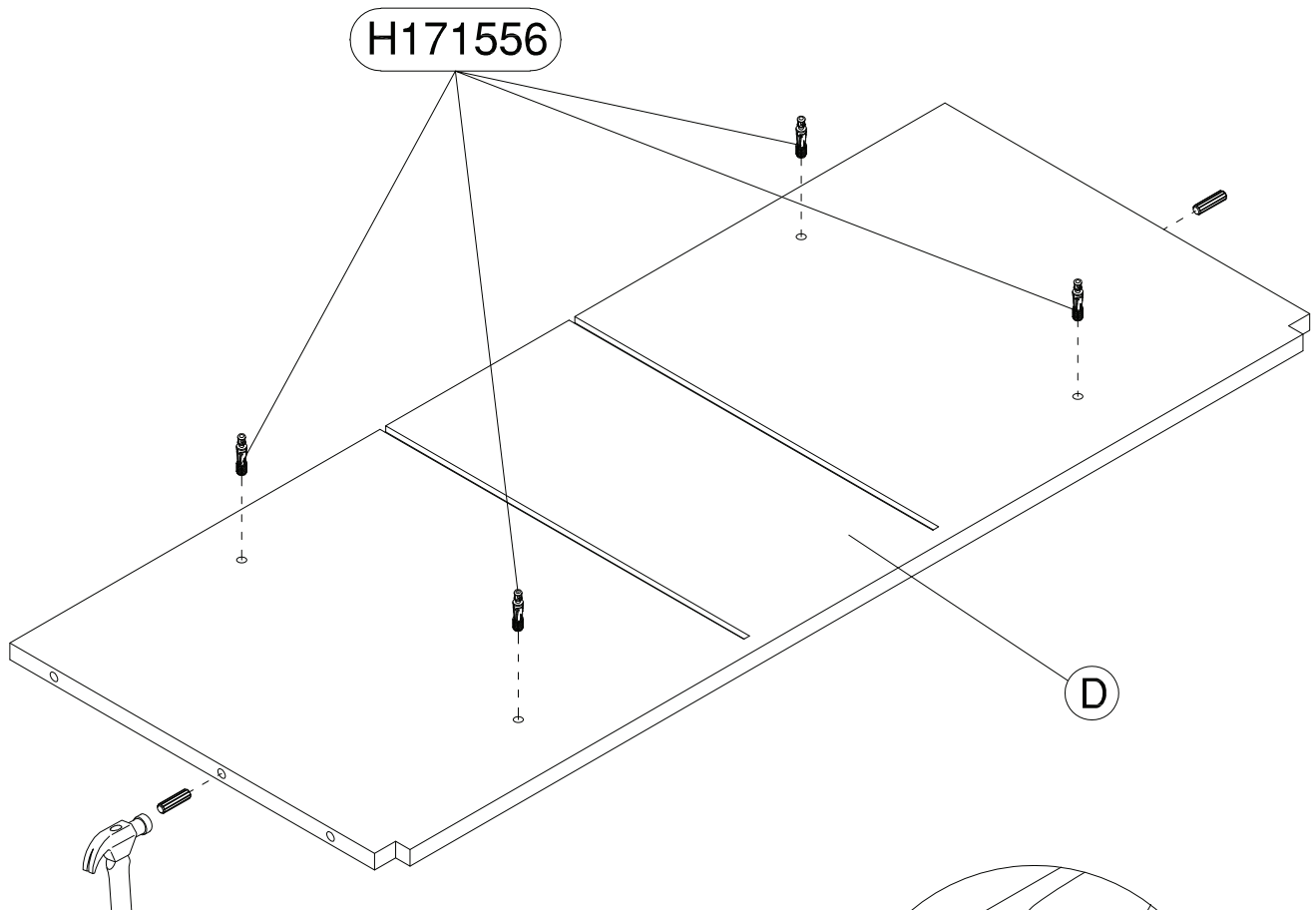
Quick Connect

H38169

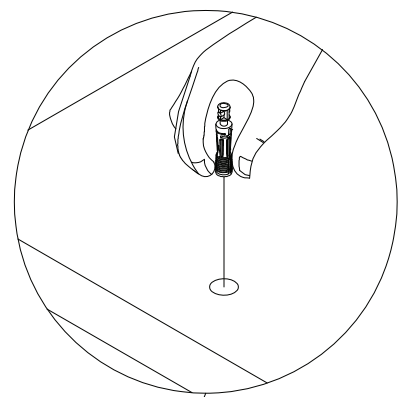


[ 2 ]

Wood Dowel  
8 x 30mm



Safety glasses  
Gafas de seguridad  
Lunettes de protection



MAY HAVE TO SQUEEZE PLASTIC TO INSERT INTO HOLE.  
PUEDE TENER QUE APRETAR PLÁSTICO PARA INSERTAR EN EL AGUJERO.  
PEUT AVOIR À PRESSER EN PLASTIQUE À INSÉRER DANS LE TROU.

Have an assembly question or need a replacement part? Just call  
**1-800-950-4782**, we are here to help.

# STEP 5

# Assemble Panels

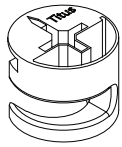
A217015

Scan QR Code to Watch Video on:



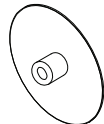
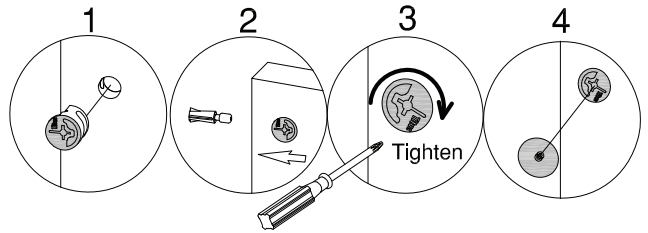
How to Tighten KD Cams

H181468



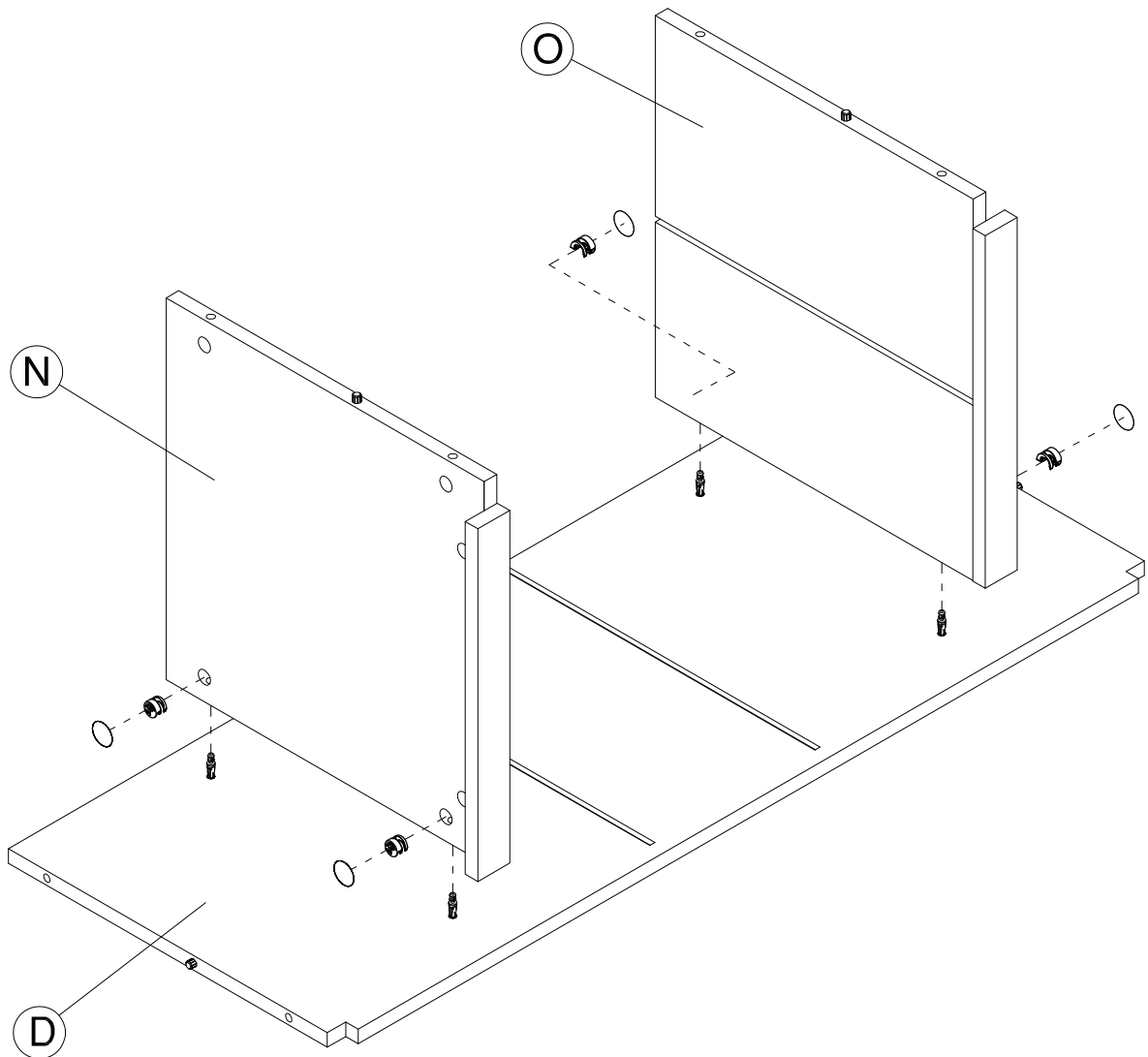
[ 4 ]

KD Cam

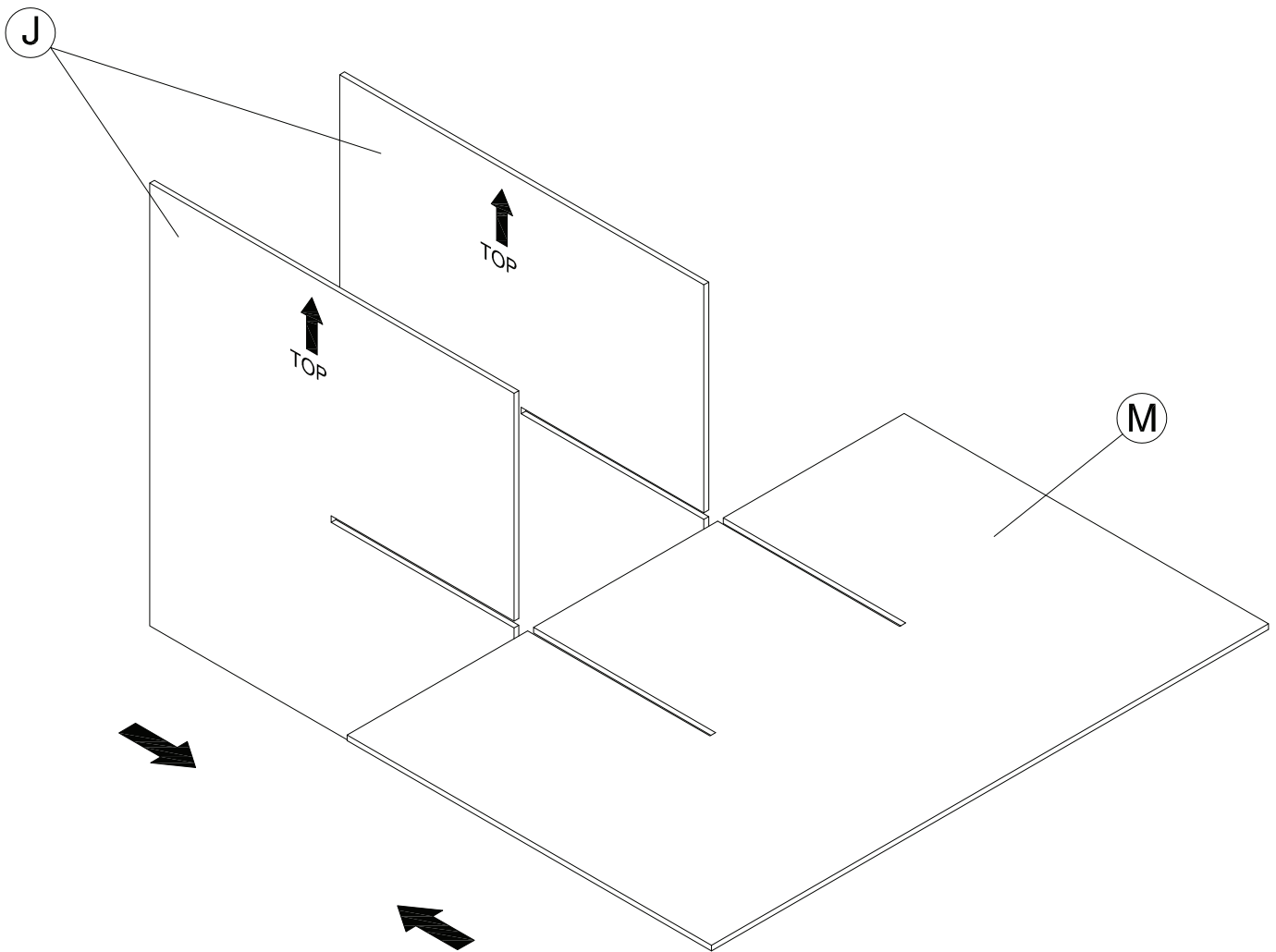
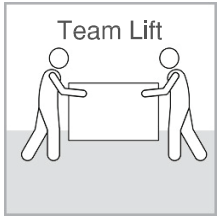


[ 4 ]

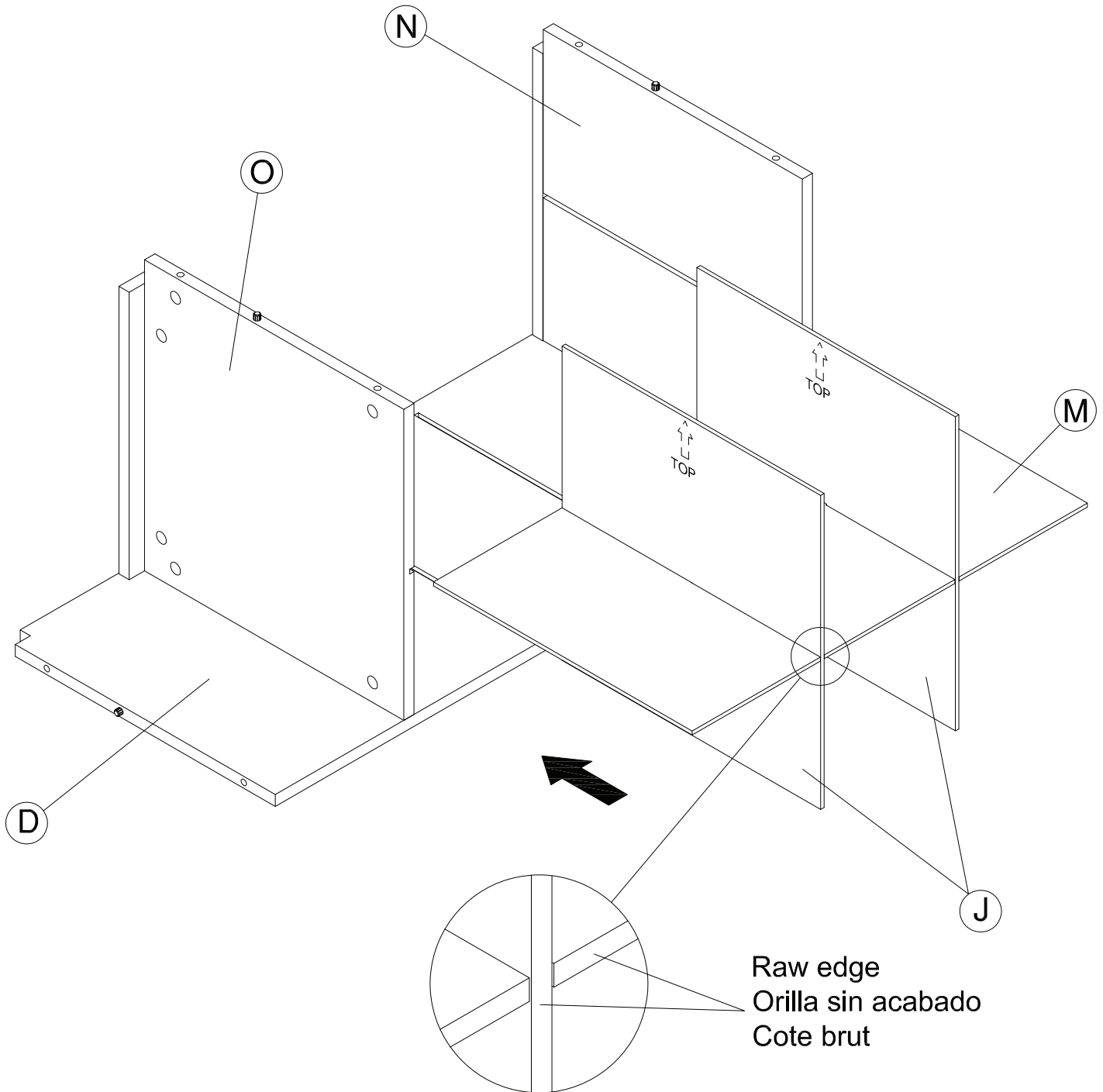
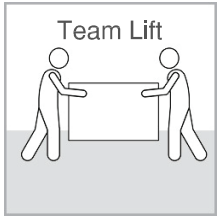
Cover Cap



Have an assembly question or need a replacement part? Just call **1-800-950-4782**, we are here to help.



Have an assembly question or need a replacement part? Just call  
**1-800-950-4782**, we are here to help.



Have an assembly question or need a replacement part? Just call  
**1-800-950-4782**, we are here to help.

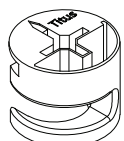


Scan QR Code to Watch Video on:



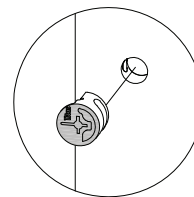
How to Tighten KD Cams

H181468

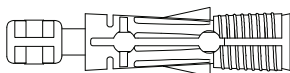


[ 2 ]

KD Cam

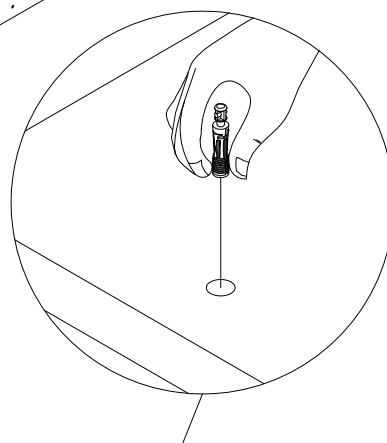
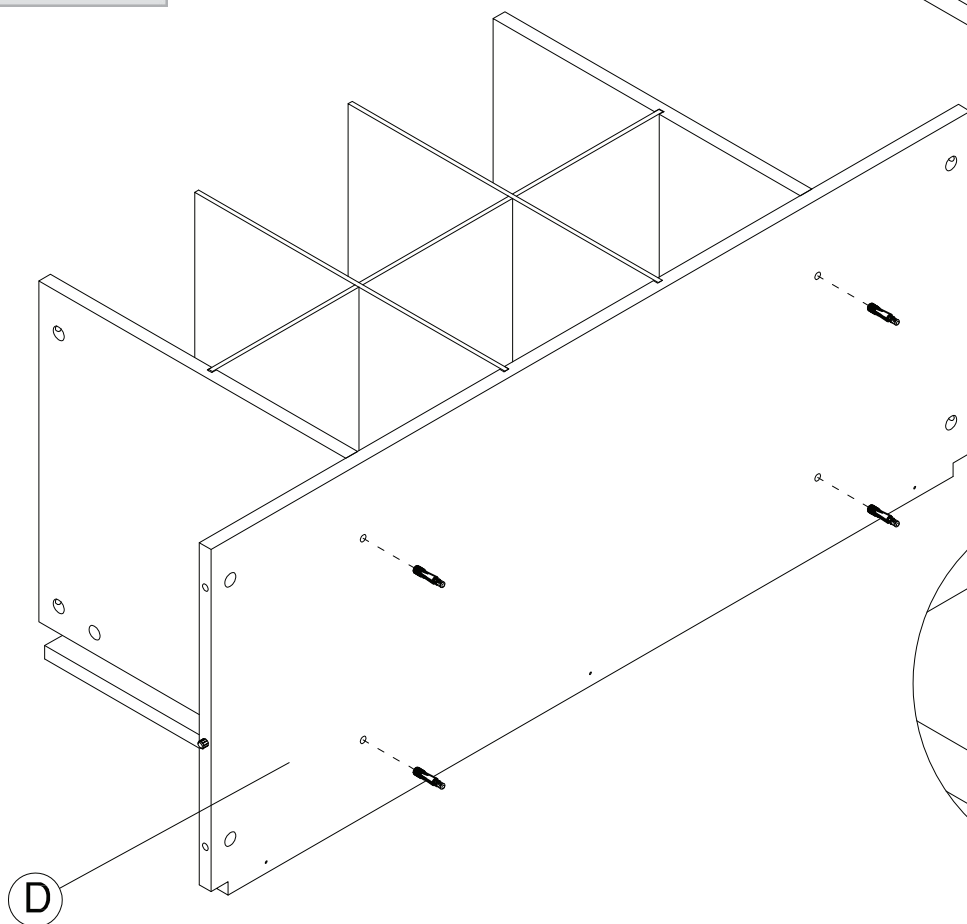
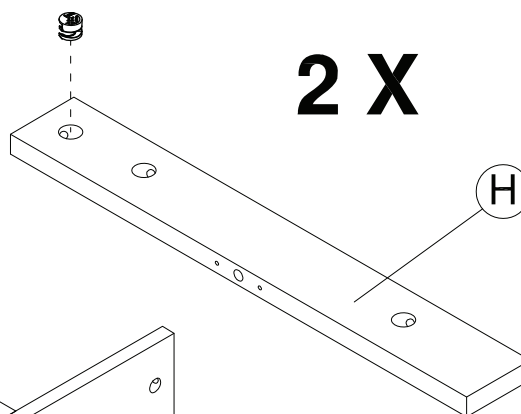
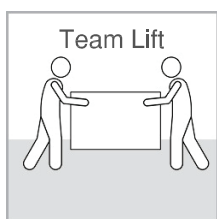


H171556



[ 4 ]

Quick Connect



MAY HAVE TO SQUEEZE PLASTIC TO INSERT INTO HOLE.  
 PUEDE TENER QUE APRETAR PLÁSTICO PARA INSERTAR EN EL AGUJERO.  
 PEUT AVOIR À PRESSER EN PLASTIQUE À INSÉRER DANS LE TROU.

Have an assembly question or need a replacement part? Just call  
**1-800-950-4782**, we are here to help.

# STEP 9

## Assemble Panels

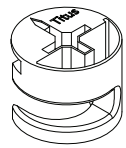
A217015

Scan QR Code to  
Watch Video on:



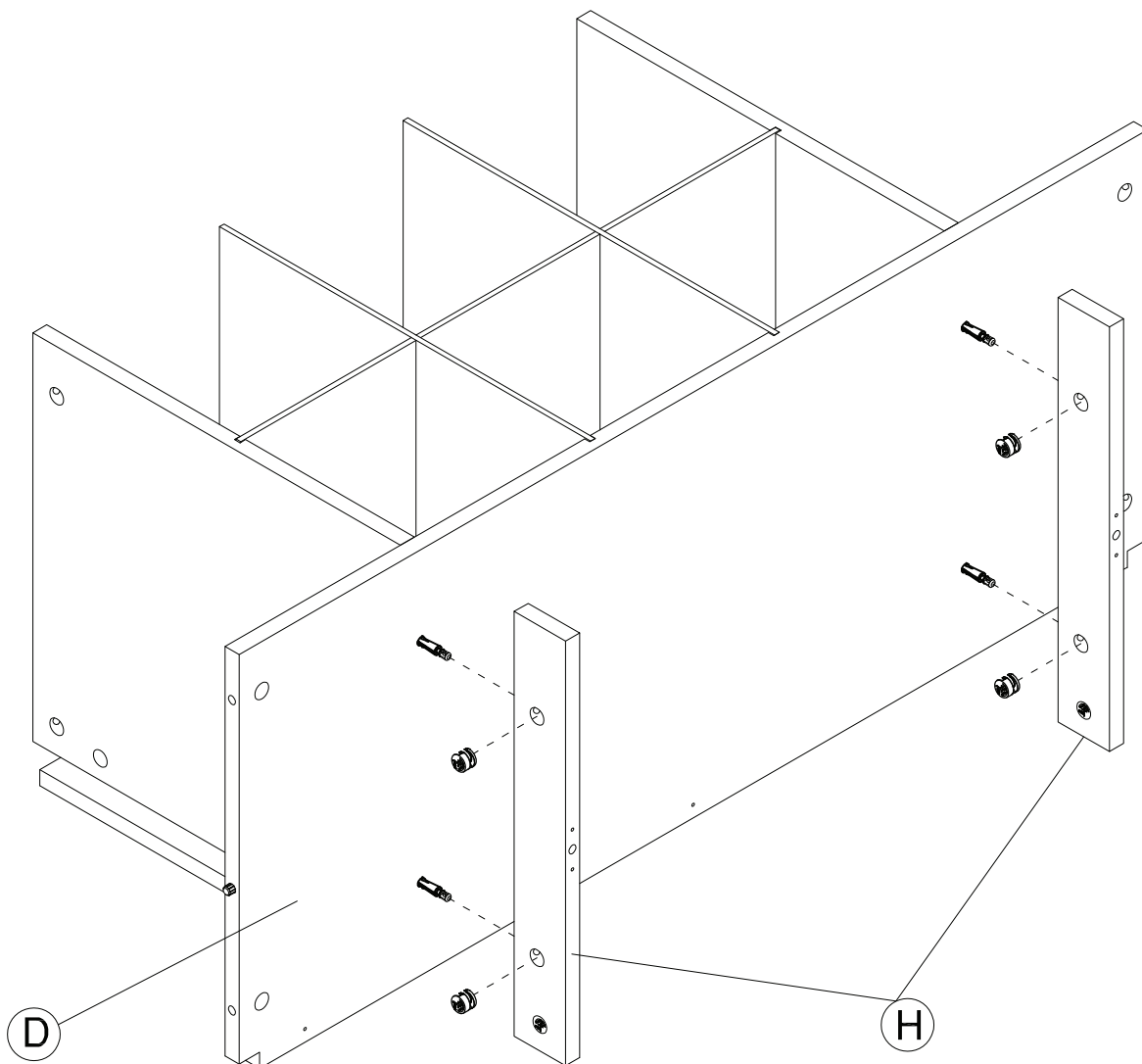
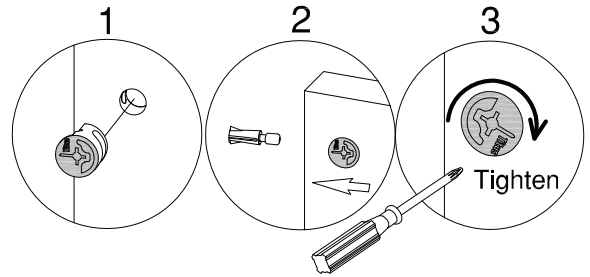
How to Tighten  
KD Cams

H181468



KD Cam

[ 4 ]



Have an assembly question or need a replacement part? Just call  
**1-800-950-4782**, we are here to help.

# STEP 10

## Assemble Panels

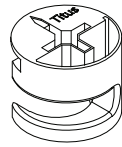
A217015

Scan QR Code to Watch Video on:



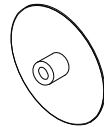
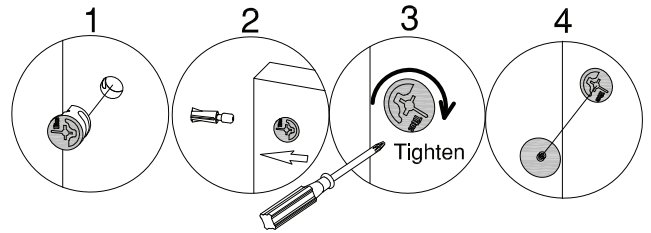
How to Tighten KD Cams

H181468



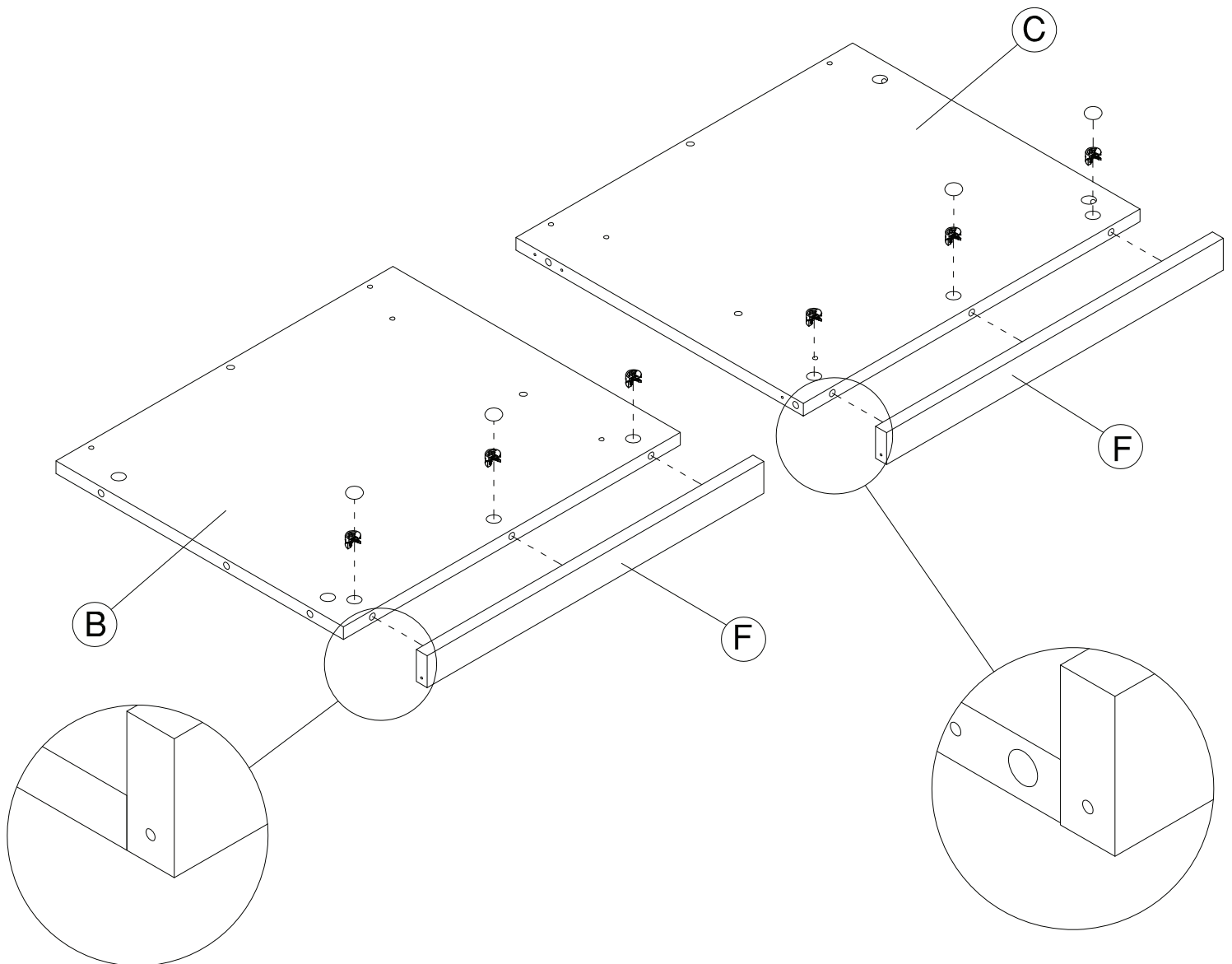
[ 6 ]

KD Cam



[ 4 ]

Cover Cap



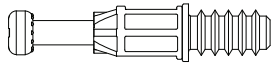
Have an assembly question or need a replacement part? Just call **1-800-950-4782**, we are here to help.

# STEP 11

## Prepare Panels

A217015

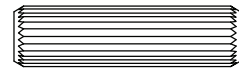
H72988



KD Bolt

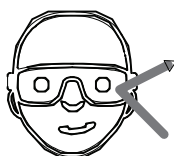
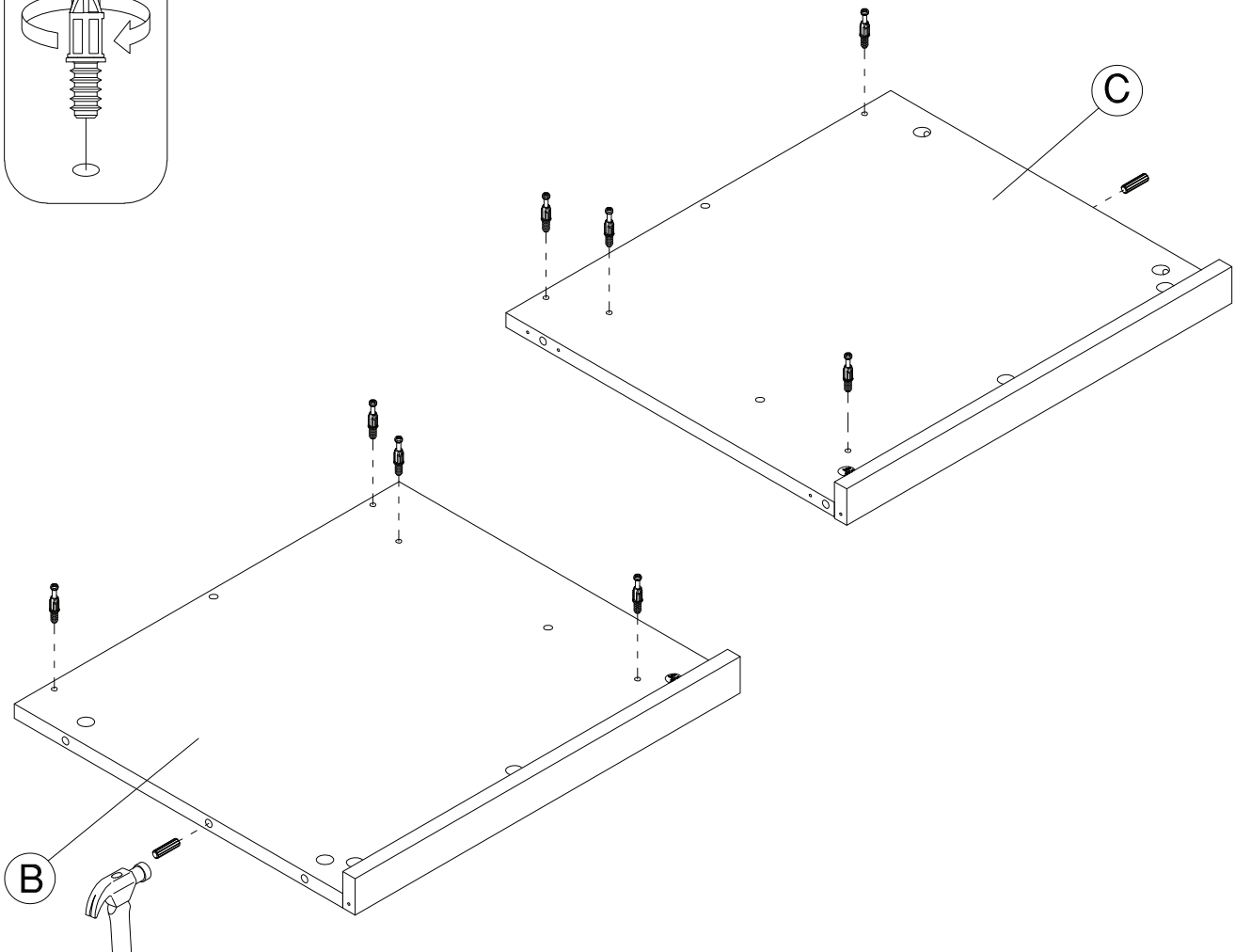
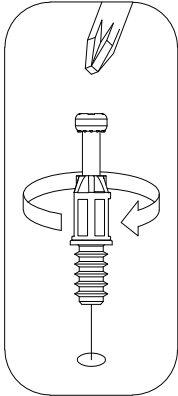
[ 8 ]

H38169



Wood Dowel  
8 x 30mm

[ 2 ]



Safety glasses  
Gafas de seguridad  
Lunettes de protection

Have an assembly question or need a replacement part? Just call  
**1-800-950-4782**, we are here to help.

# STEP 12

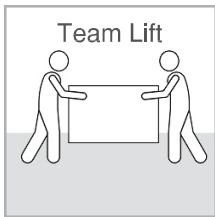
# Assemble Panel

A217015

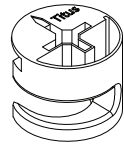
Scan QR Code to Watch Video on:



How to Tighten KD Cams

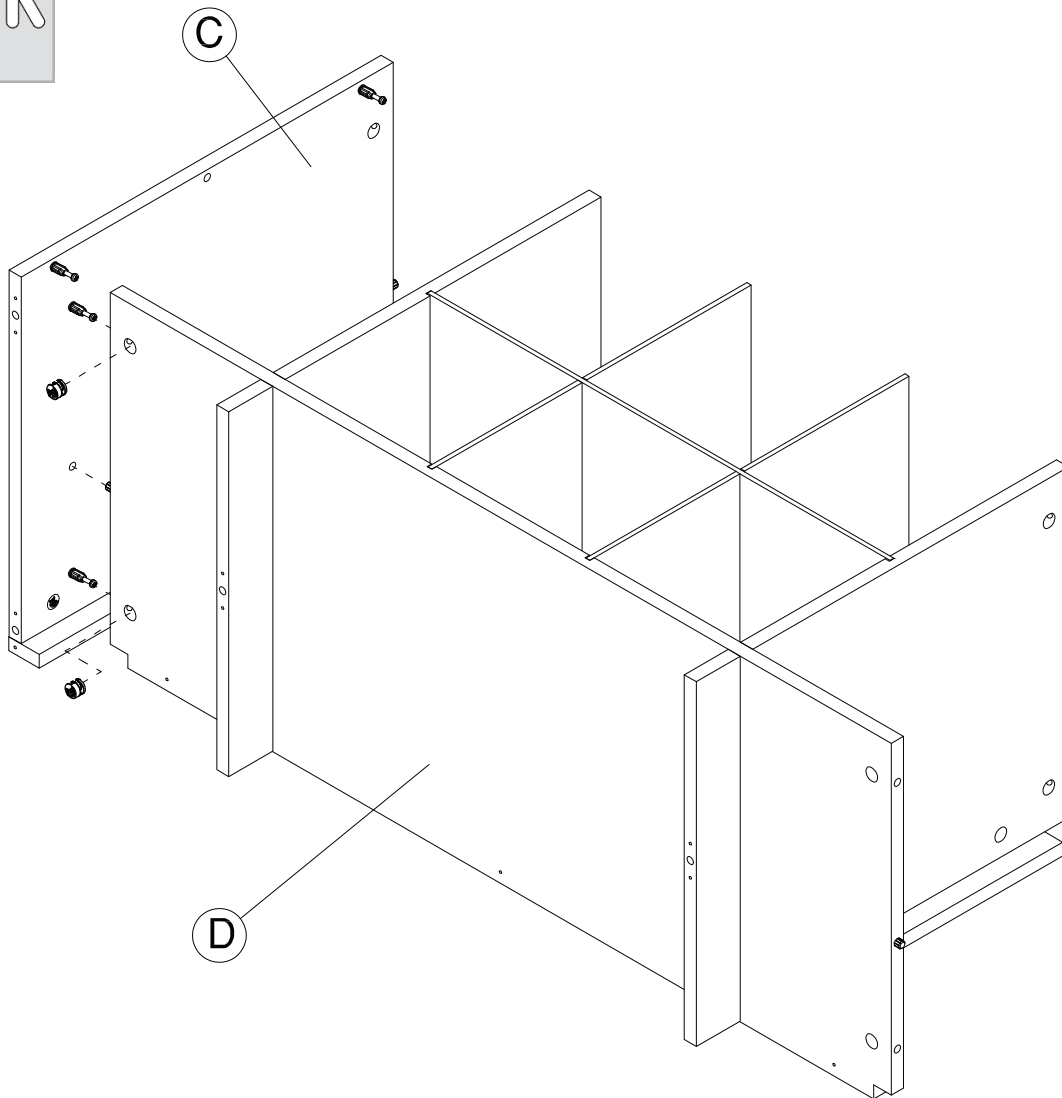
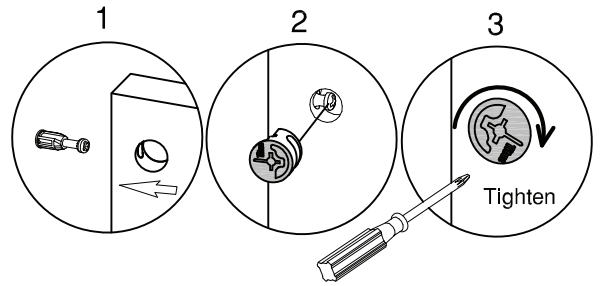


H181468



KD Cam

[ 2 ]



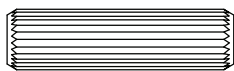
Have an assembly question or need a replacement part? Just call **1-800-950-4782**, we are here to help.

# STEP 13

## Prepare Panel

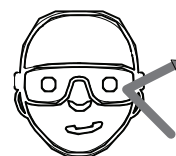
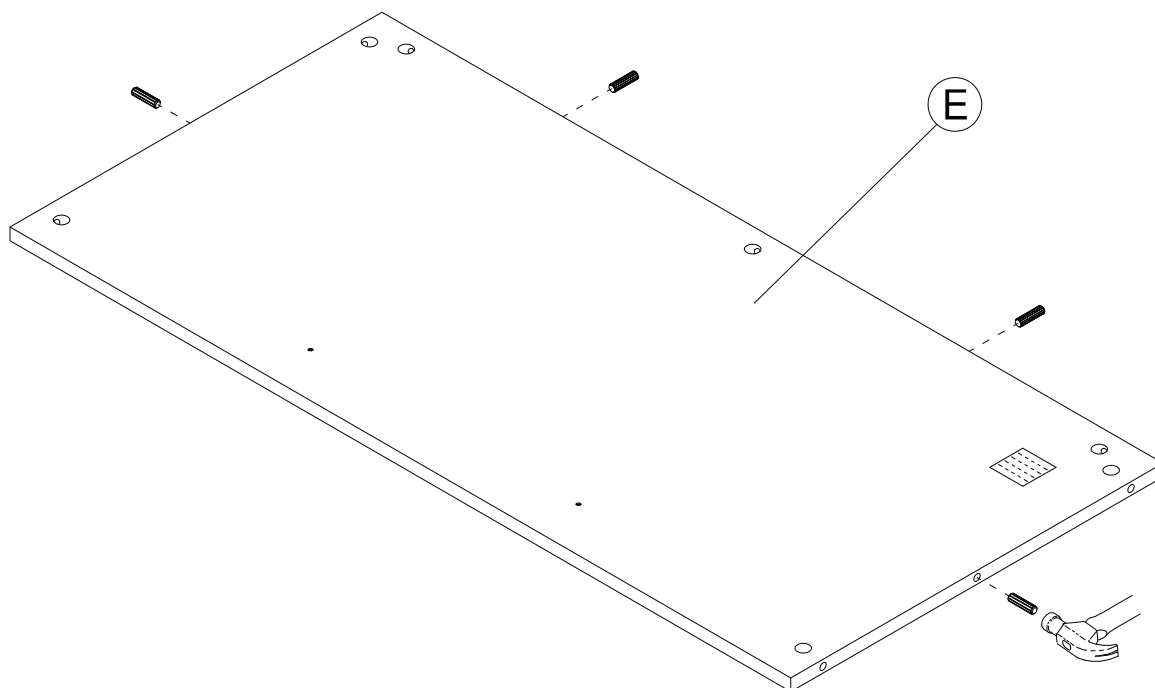
A217015

H38169



[ 4 ]

Wood Dowel  
8 x 30mm



Safety glasses  
Gafas de seguridad  
Lunettes de protection

Have an assembly question or need a replacement part? Just call  
**1-800-950-4782**, we are here to help.

# STEP 14

# Assemble Panel

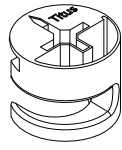
A217015

Scan QR Code to  
Watch Video on:



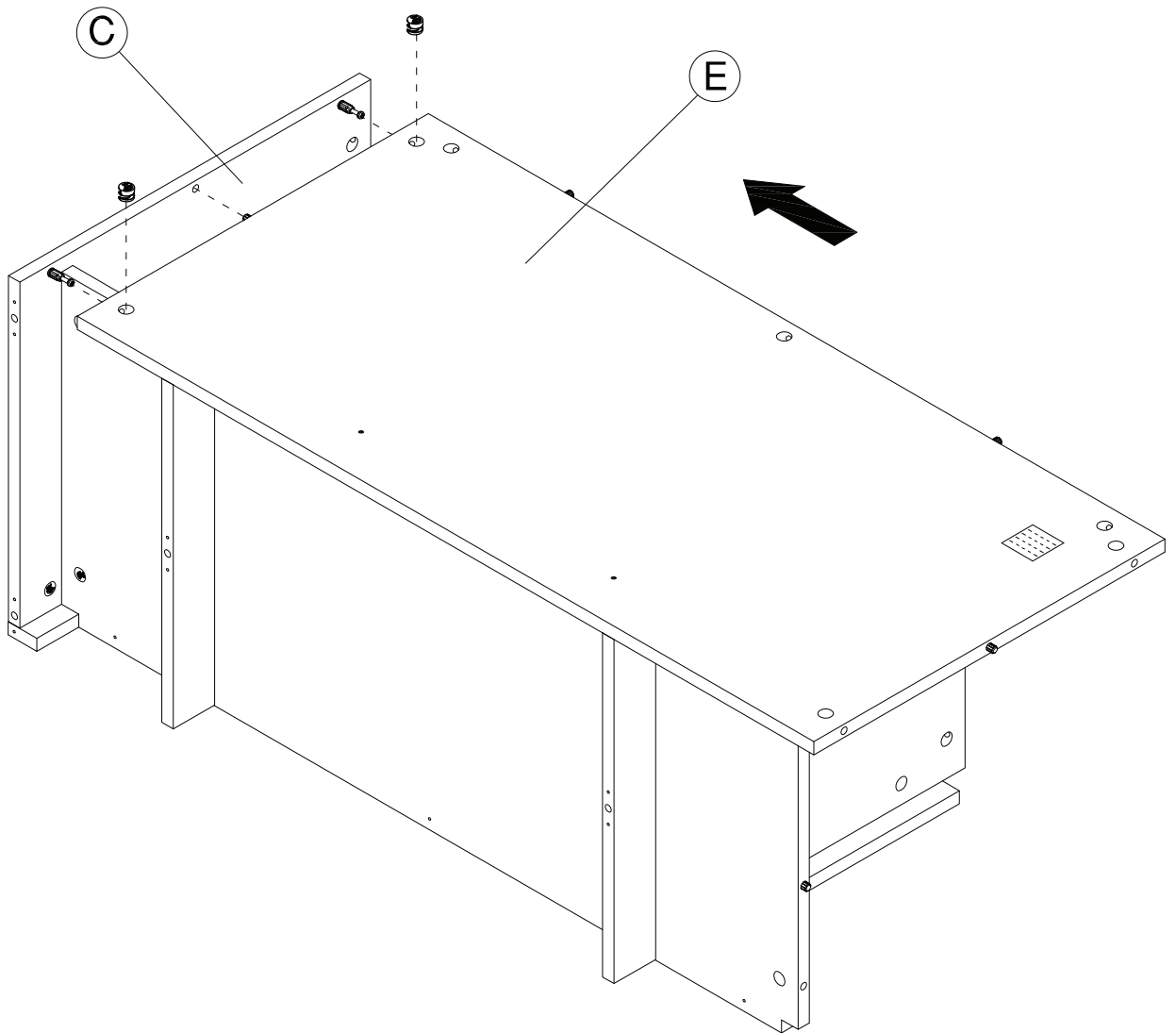
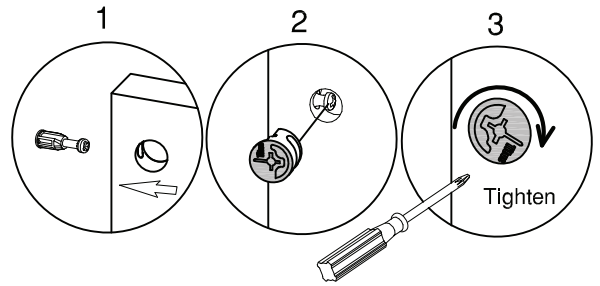
How to Tighten  
KD Cams

H181468



KD Cam

[ 2 ]



Have an assembly question or need a replacement part? Just call  
**1-800-950-4782**, we are here to help.

# STEP 15

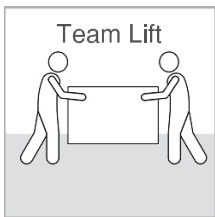
# Assemble Panel

A217015

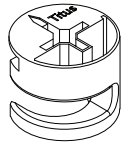
Scan QR Code to Watch Video on:



How to Tighten KD Cams

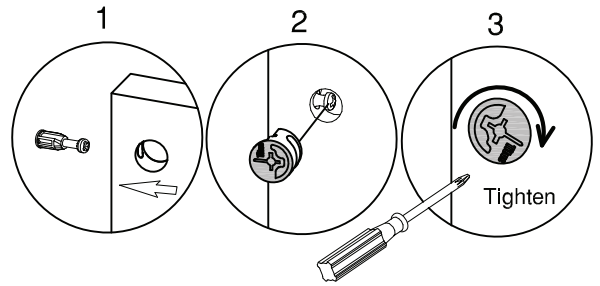


H181468

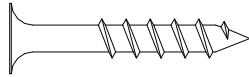


[ 4 ]

KD Cam

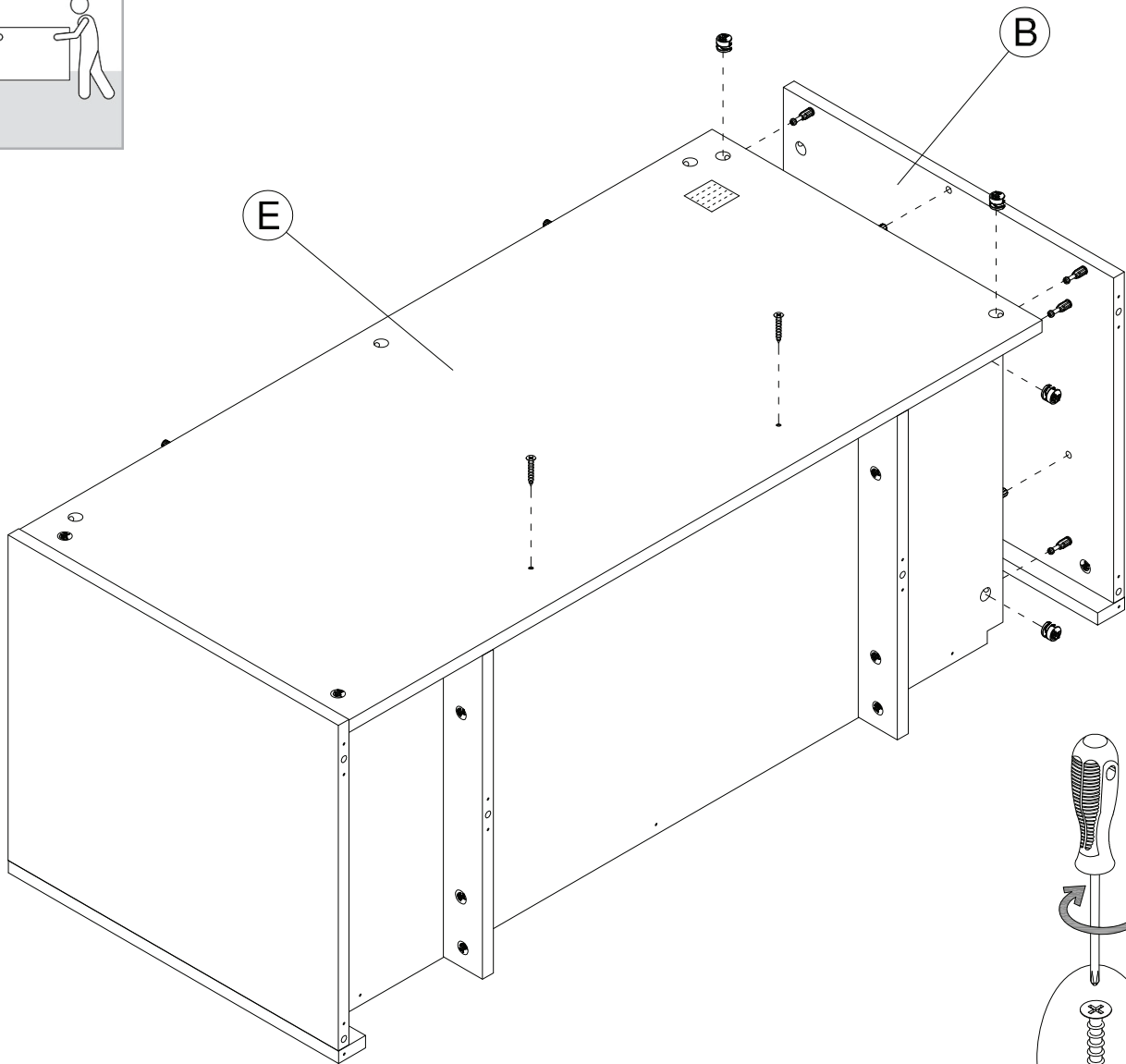


H26053



[ 2 ]

#10 x 1-1/4"



Have an assembly question or need a replacement part? Just call **1-800-950-4782**, we are here to help.

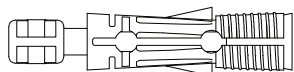


# STEP 16

# Prepare Panels

A217015

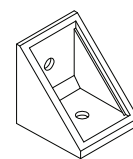
H171556



[ 2 ]

Quick Connect

H137197



[ 7 ]

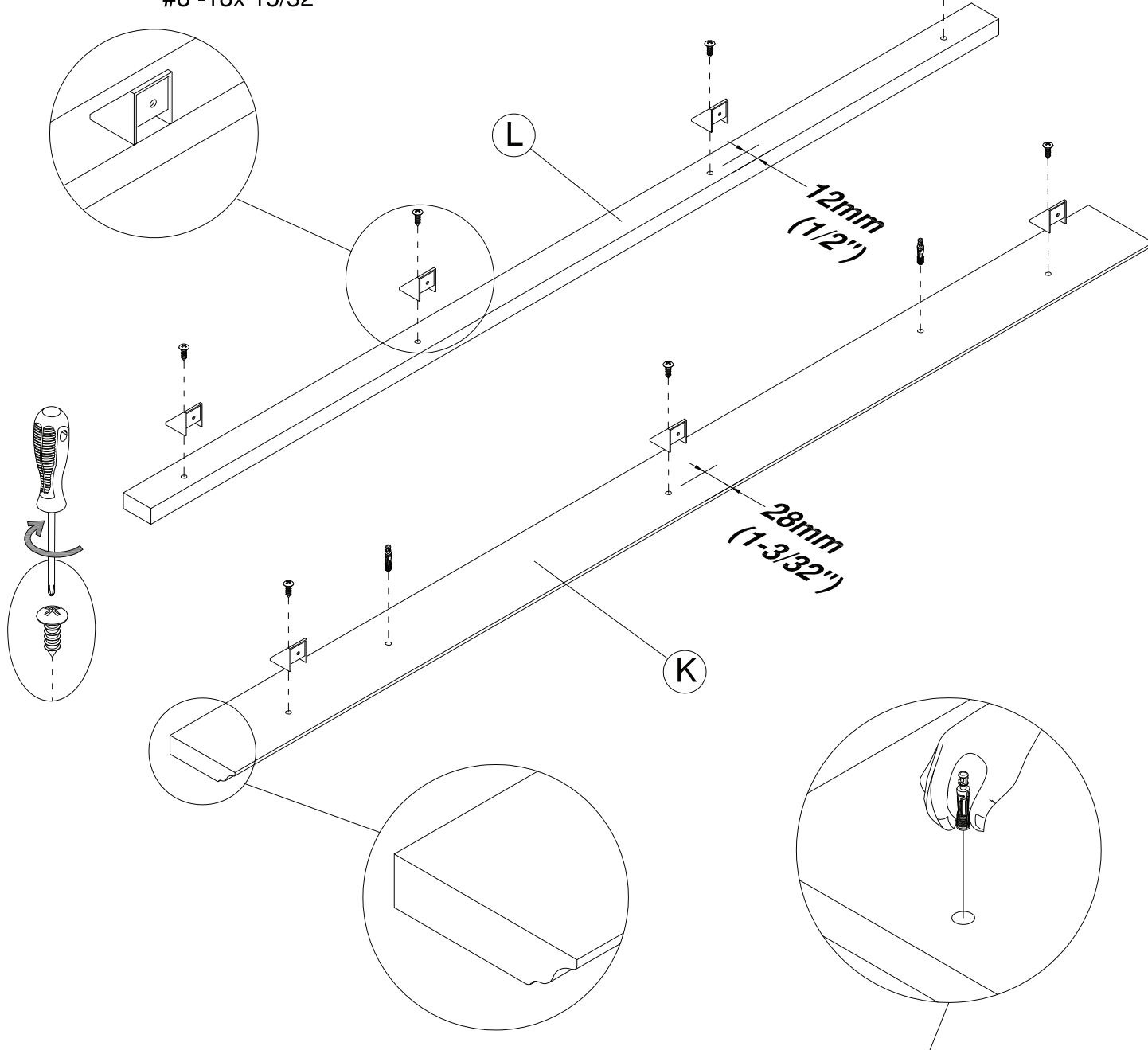
H211930



[ 7 ]

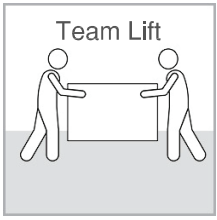
#8 -18x 15/32"

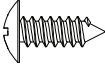
Bracket

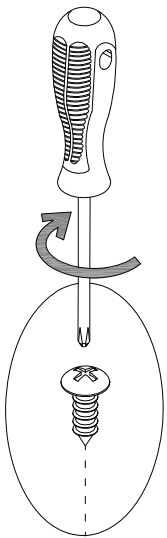
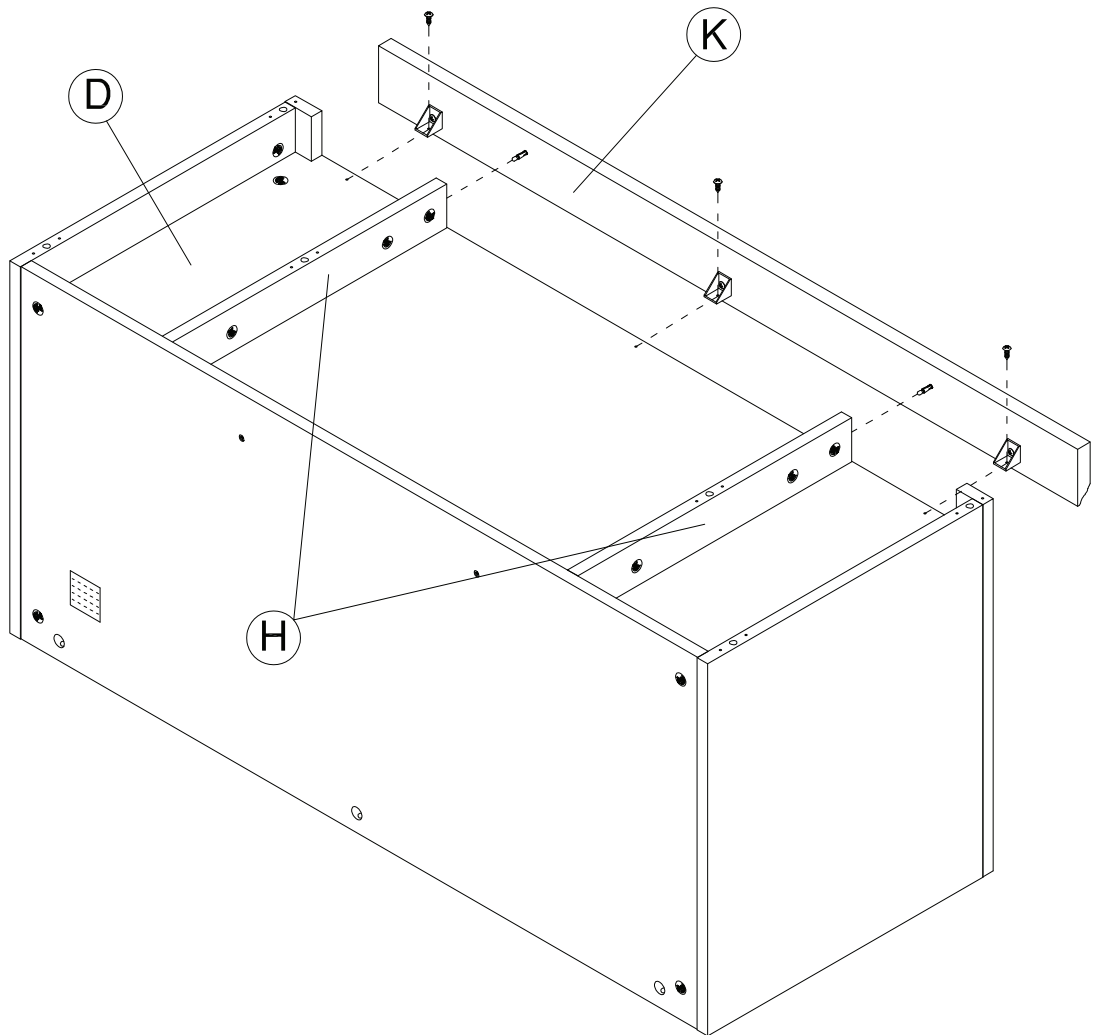


MAY HAVE TO SQUEEZE PLASTIC TO INSERT INTO HOLE.  
PUEDE TENER QUE APRETAR PLÁSTICO PARA INSERTAR EN EL AGUJERO.  
PEUT AVOIR À PRESSER EN PLASTIQUE À INSÉRER DANS LE TROU.

Have an assembly question or need a replacement part? Just call  
**1-800-950-4782**, we are here to help.



H211930  [ 3 ]  
#8 -18x 15/32"

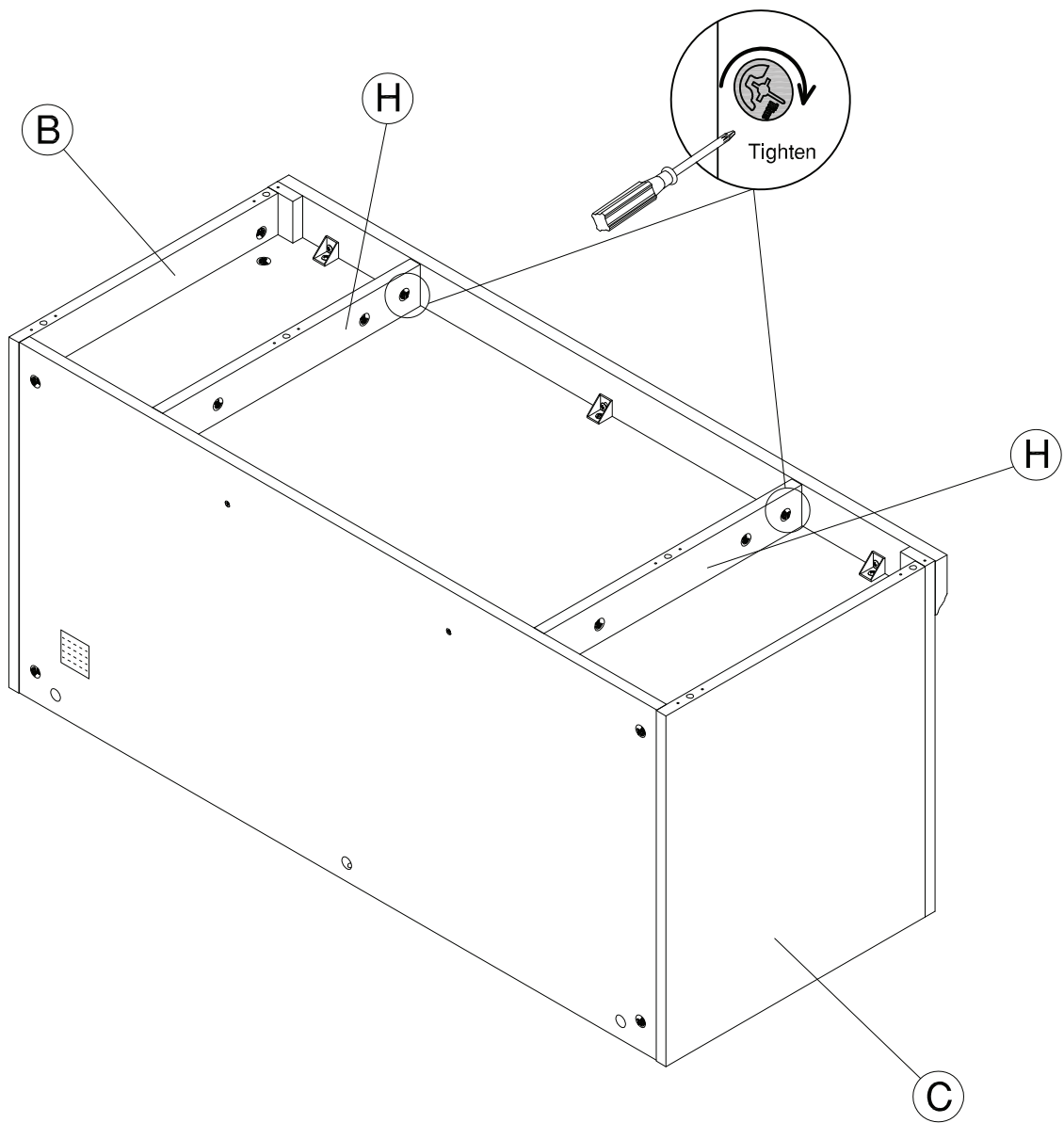


Have an assembly question or need a replacement part? Just call  
**1-800-950-4782**, we are here to help.

Scan QR Code to  
Watch Video on:



How to Tighten  
KD Cams

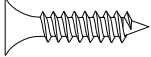


Have an assembly question or need a replacement part? Just call  
**1-800-950-4782**, we are here to help.

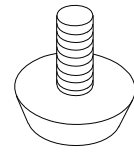
# STEP 19

# Install Hardware

A217015

H208916  [ 12 ]  
#8 x 3/4"

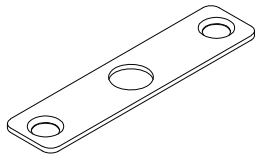
H201565



[ 6 ]

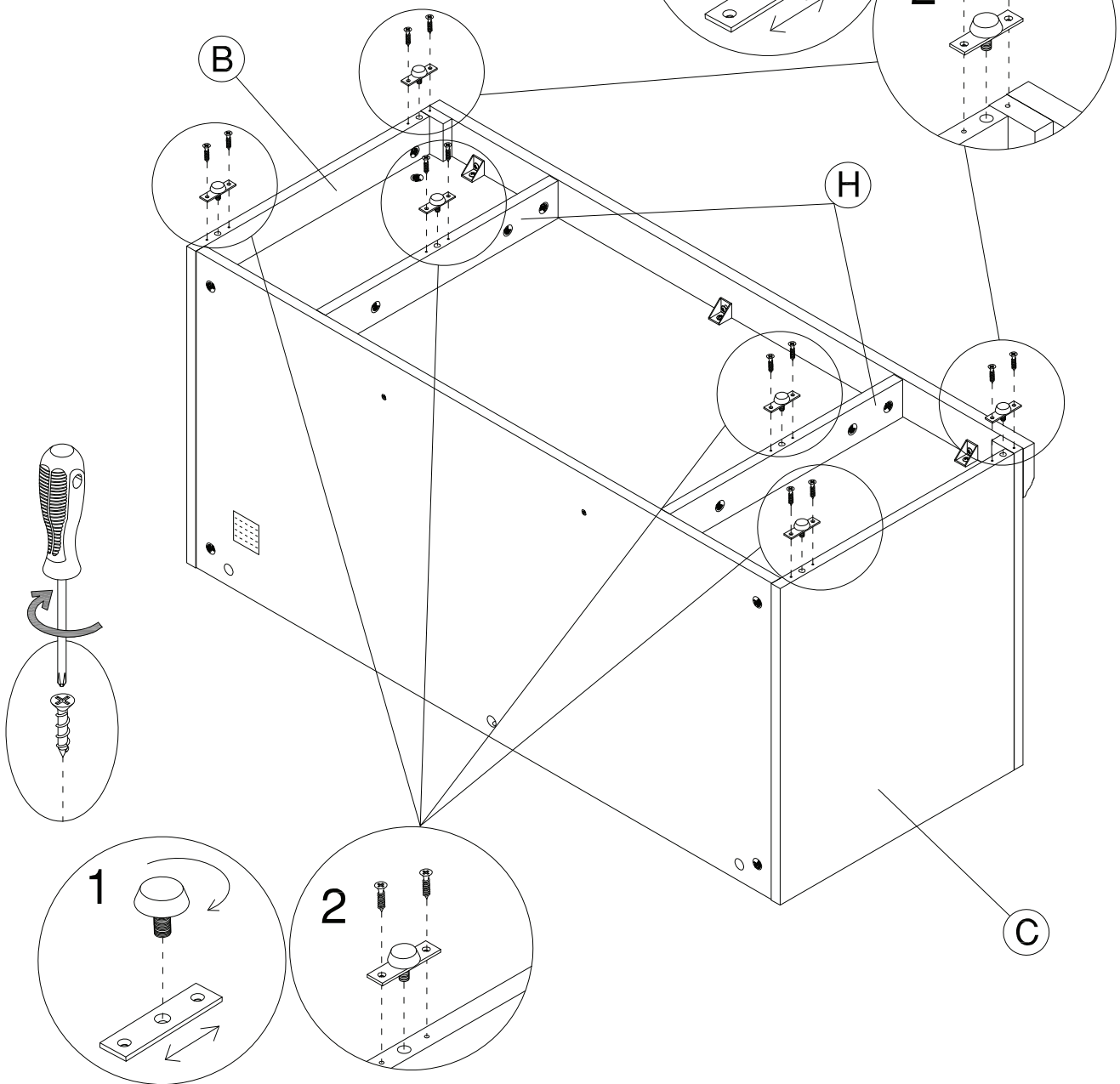
Leveler

H201564



[ 6 ]

Leveler Bracket

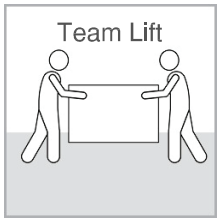


Have an assembly question or need a replacement part? Just call  
**1-800-950-4782**, we are here to help.

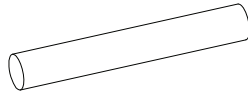
# STEP 20

## Install Hardware

A217015



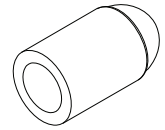
H23604



[ 3 ]

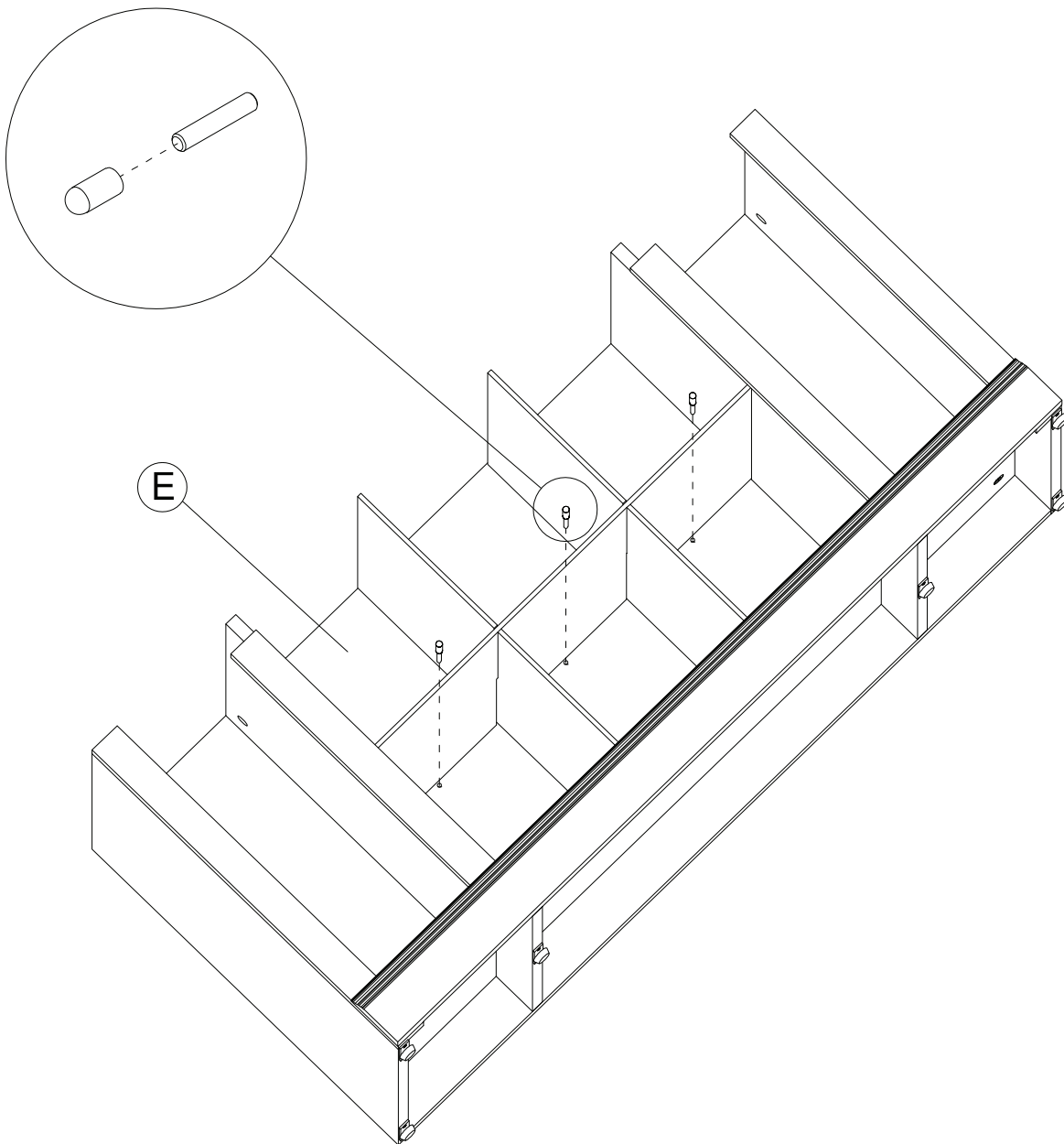
Shelf Pin 1"x 3/16"

H126396

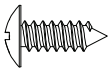


[ 3 ]

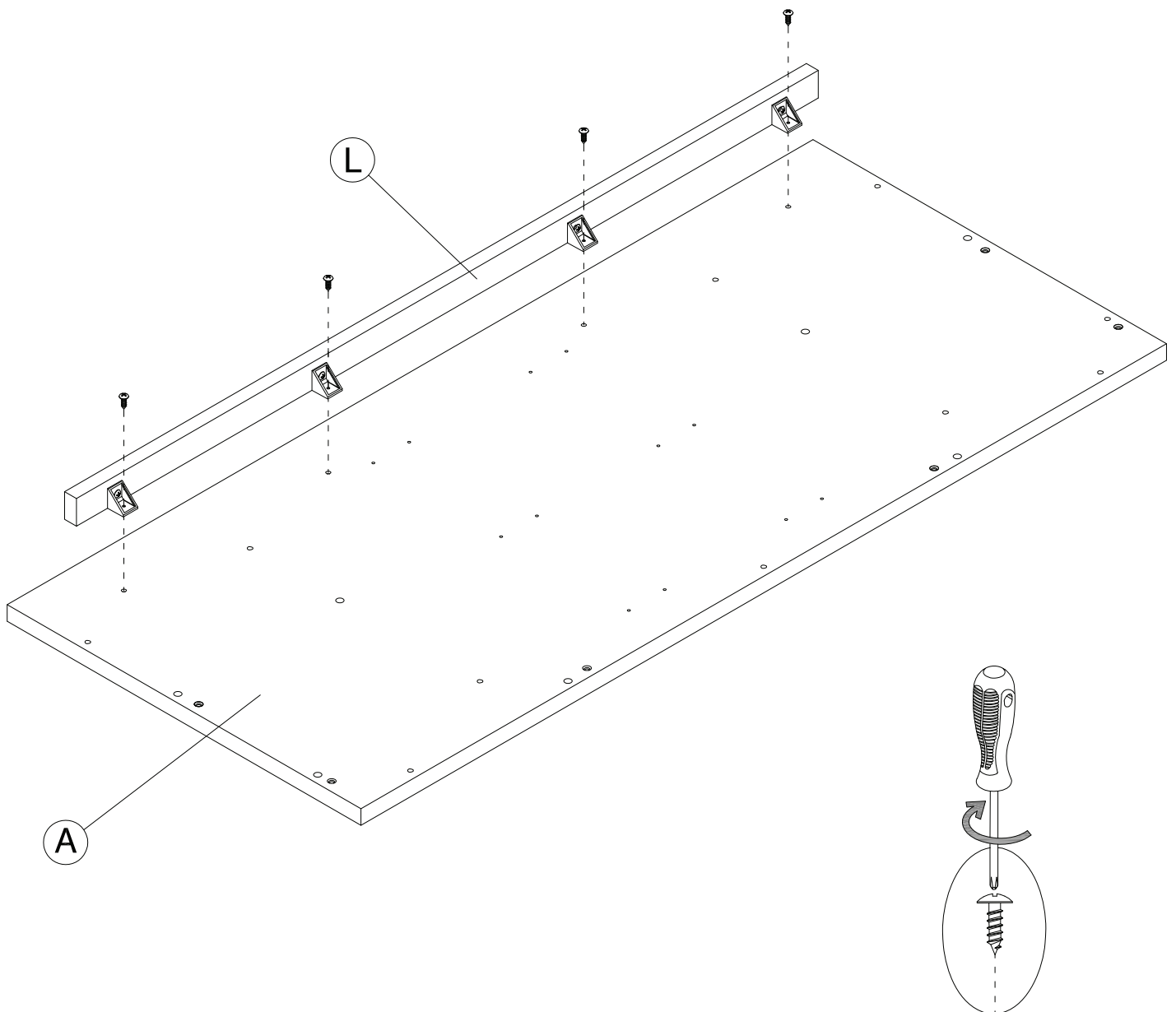
Shelf Pin Sleeve



Have an assembly question or need a replacement part? Just call  
**1-800-950-4782**, we are here to help.

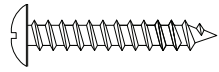
H211930  [ 4 ]

#8 -18x 15/32"



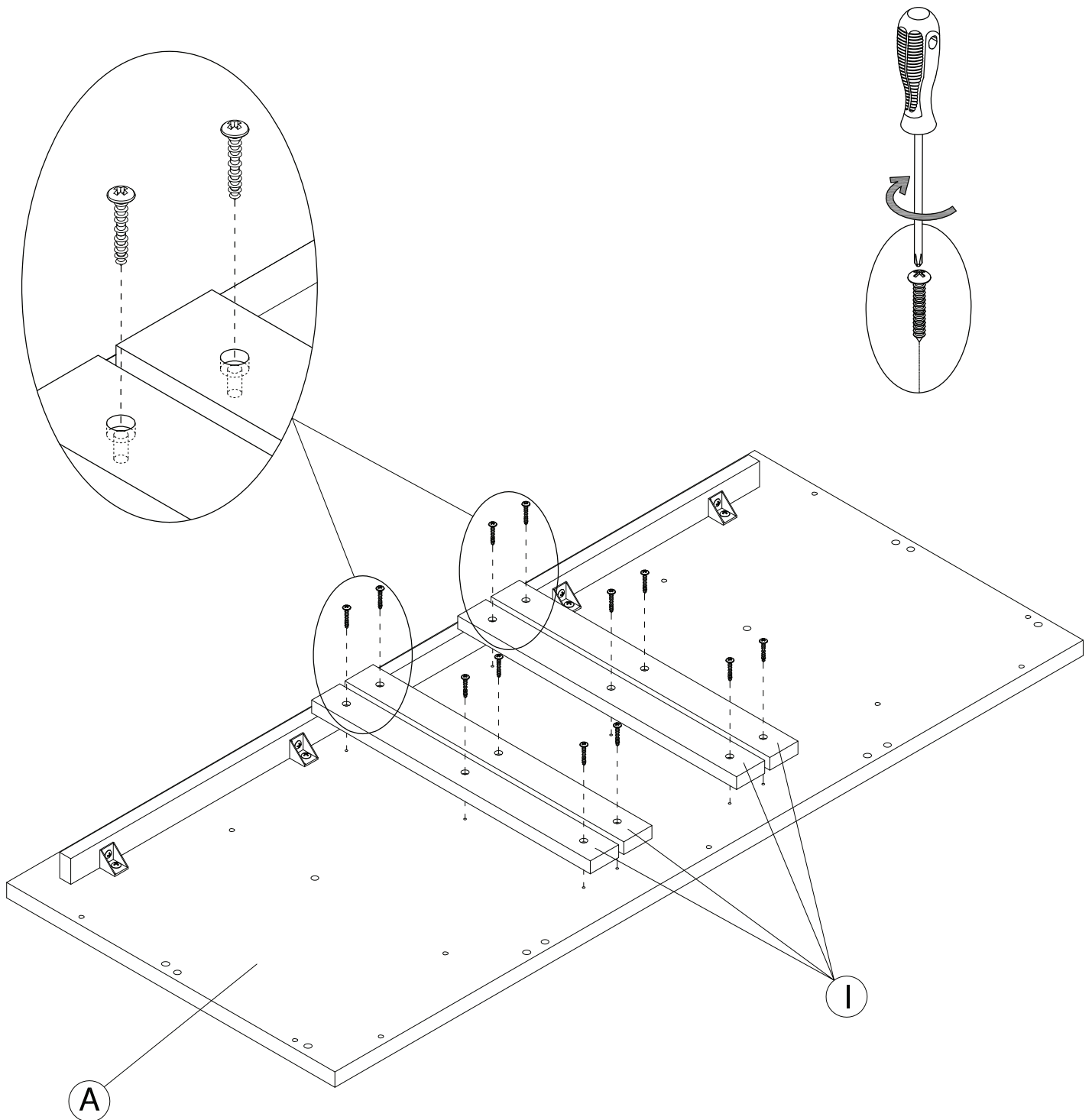
Have an assembly question or need a replacement part? Just call  
**1-800-950-4782**, we are here to help.

H150019



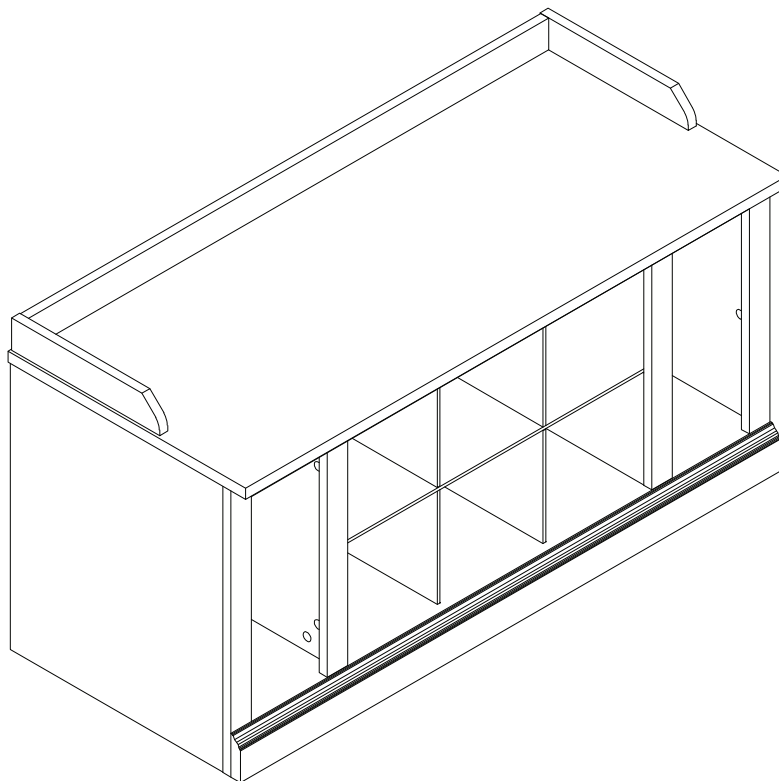
[ 12 ]

#8 x 1"



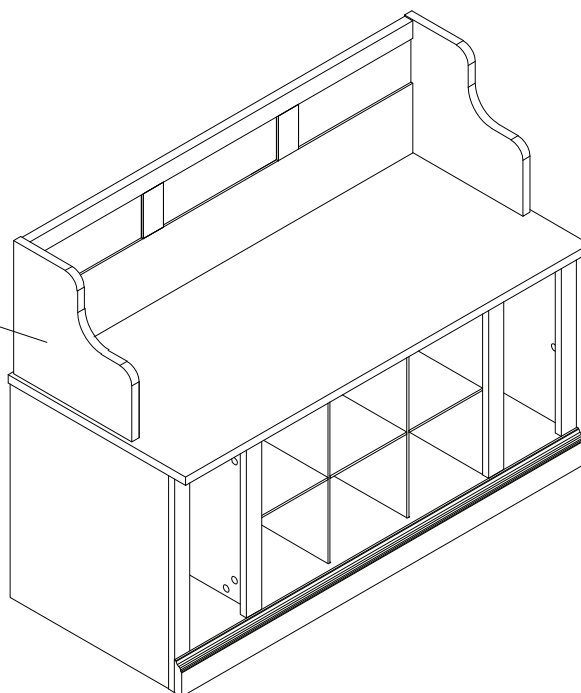
Have an assembly question or need a replacement part? Just call  
**1-800-950-4782**, we are here to help.

**Go to step 25**  
**Proceda al paso 25**  
**Allez a l'etape 25**



**Go to step 30**  
**Proceda al paso 30**  
**Allez a l'etape 30**

**WDH140CG**  
**WDH140WAS**  
**WDH140ABR**  
**WDH140WM**  
**WDH140BS**

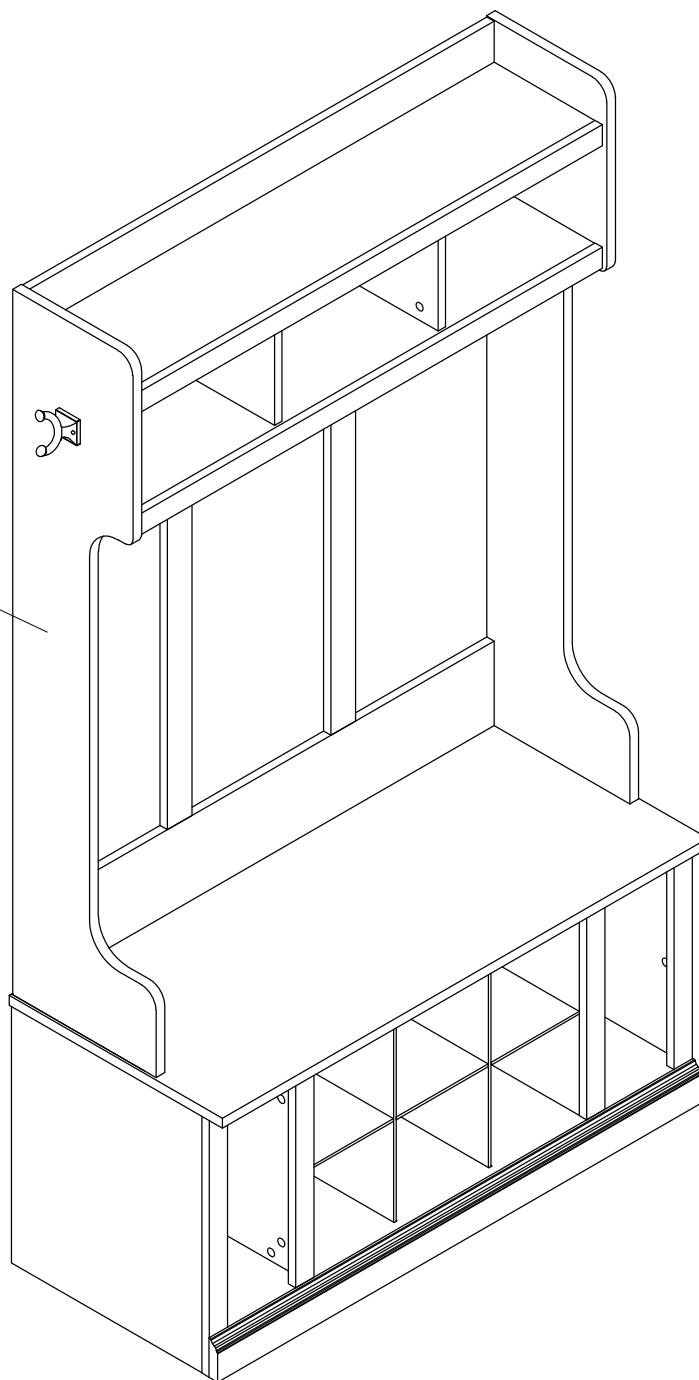


Have an assembly question or need a replacement part? Just call  
**1-800-950-4782**, we are here to help.



**Go to step 33**  
**Proceda al paso 33**  
**Allez a l'etape 33**

**WDH240CG**  
**WDH240WAS**  
**WDH240ABR**  
**WDH240WM**  
**WDH240BS**



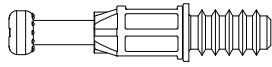
Have an assembly question or need a replacement part? Just call  
**1-800-950-4782**, we are here to help.

# STEP 25

# Prepare Panels

A217015

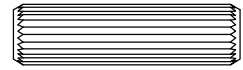
H72988



[ 2 ]

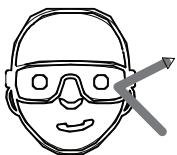
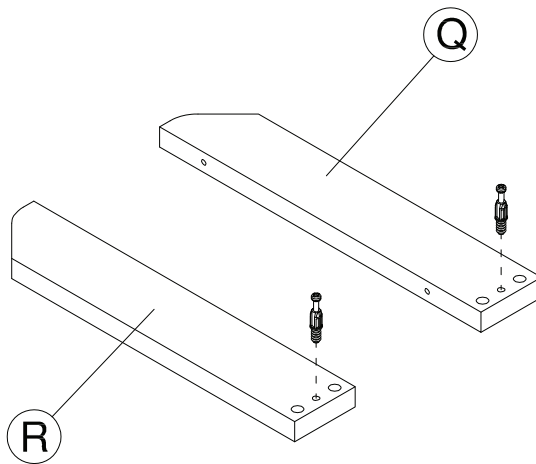
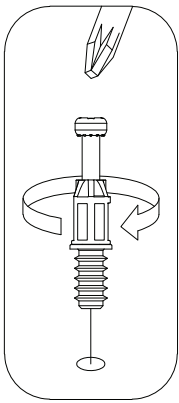
KD Bolt

H38169

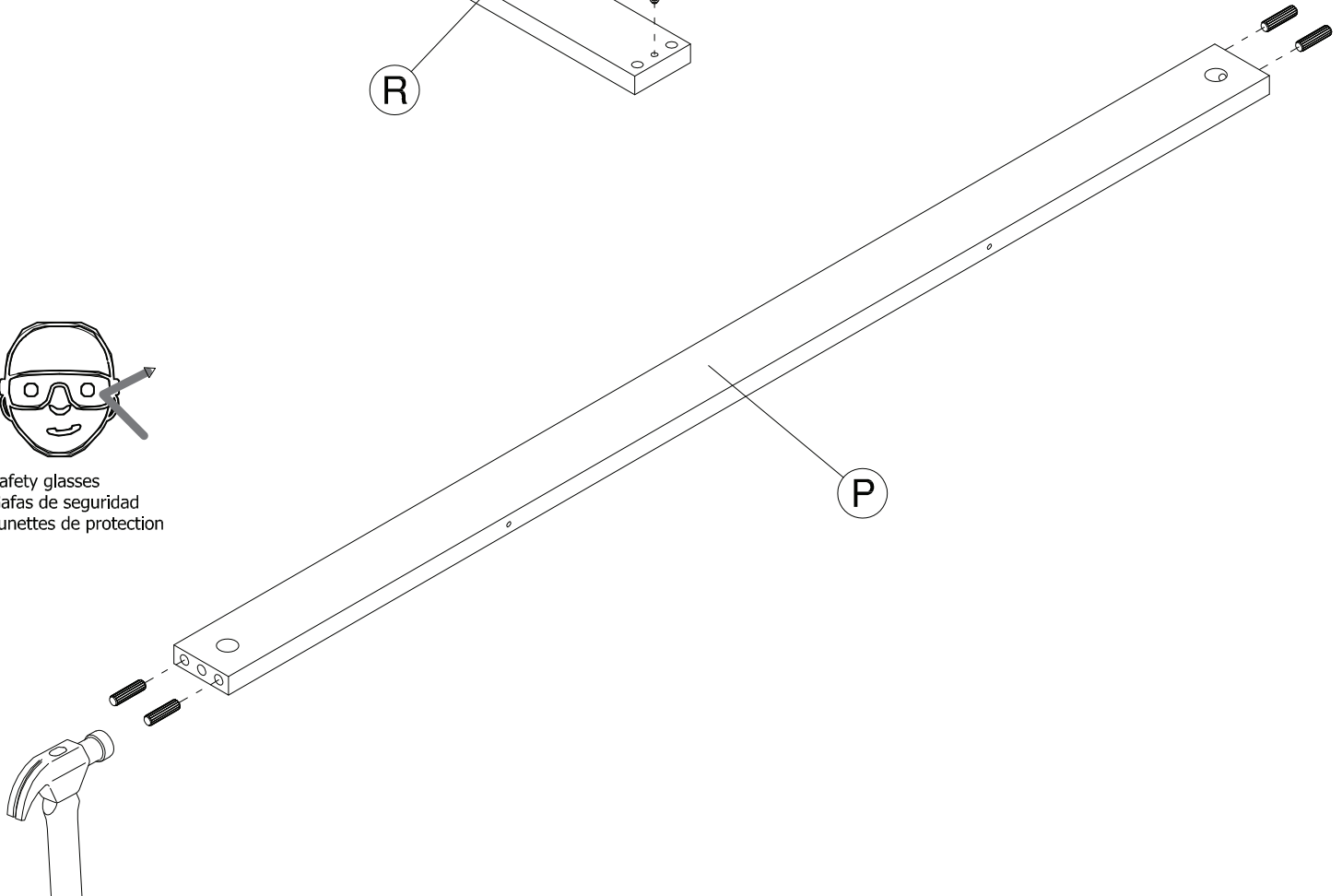


[ 4 ]

Wood Dowel  
8 x 30mm



Safety glasses  
Gafas de seguridad  
Lunettes de protection



Have an assembly question or need a replacement part? Just call  
**1-800-950-4782**, we are here to help.

# STEP 26

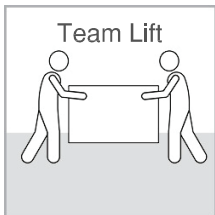
## Assemble Panels

A217015

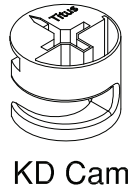
Scan QR Code to  
Watch Video on:



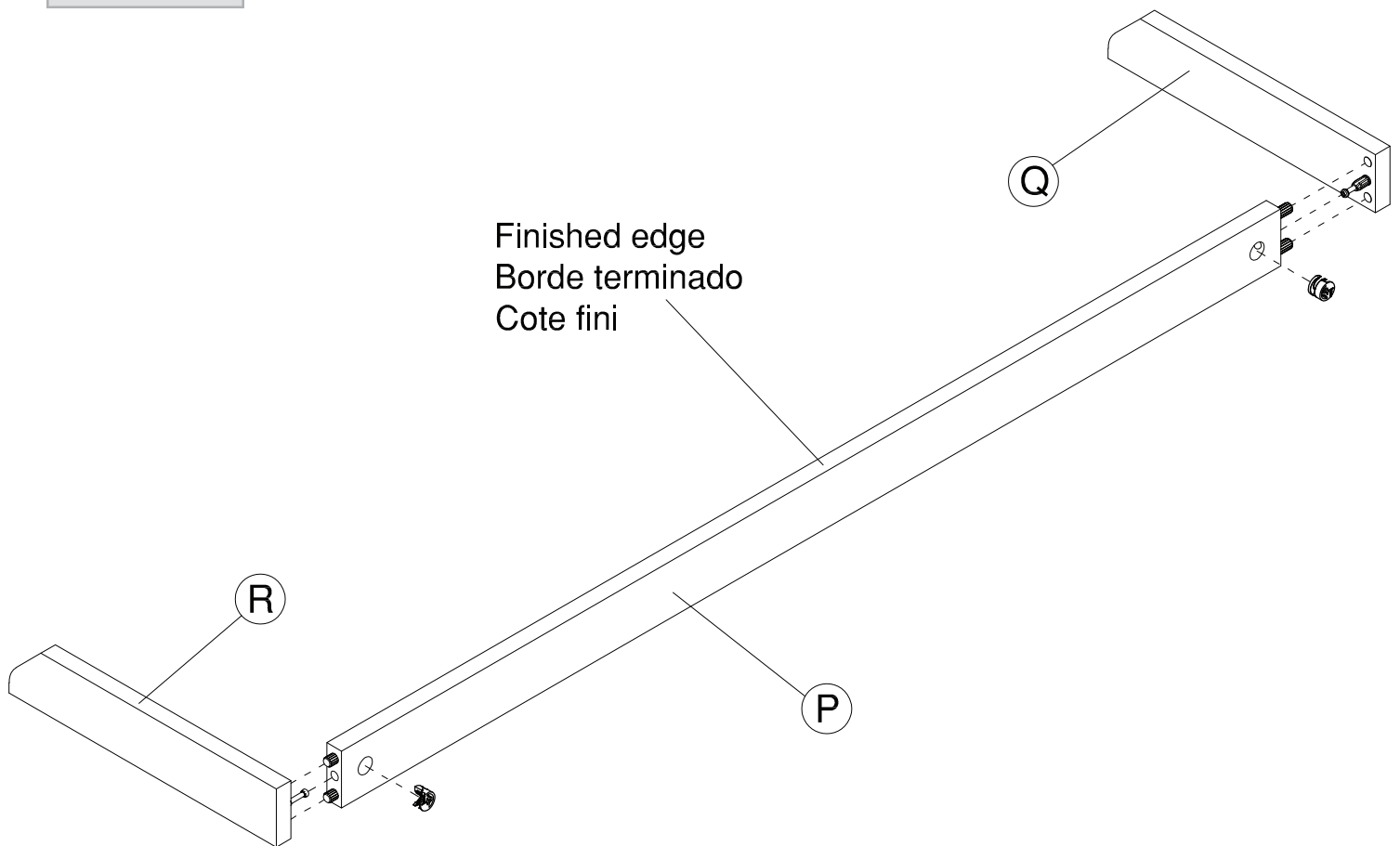
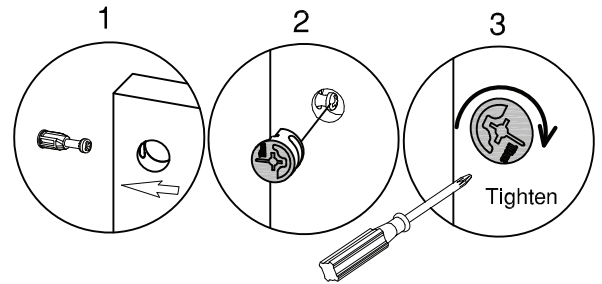
How to Tighten  
KD Cams



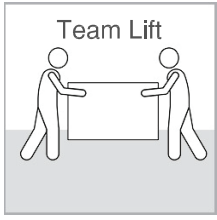
H181468



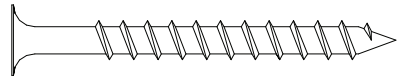
[ 2 ]



Have an assembly question or need a replacement part? Just call  
**1-800-950-4782**, we are here to help.

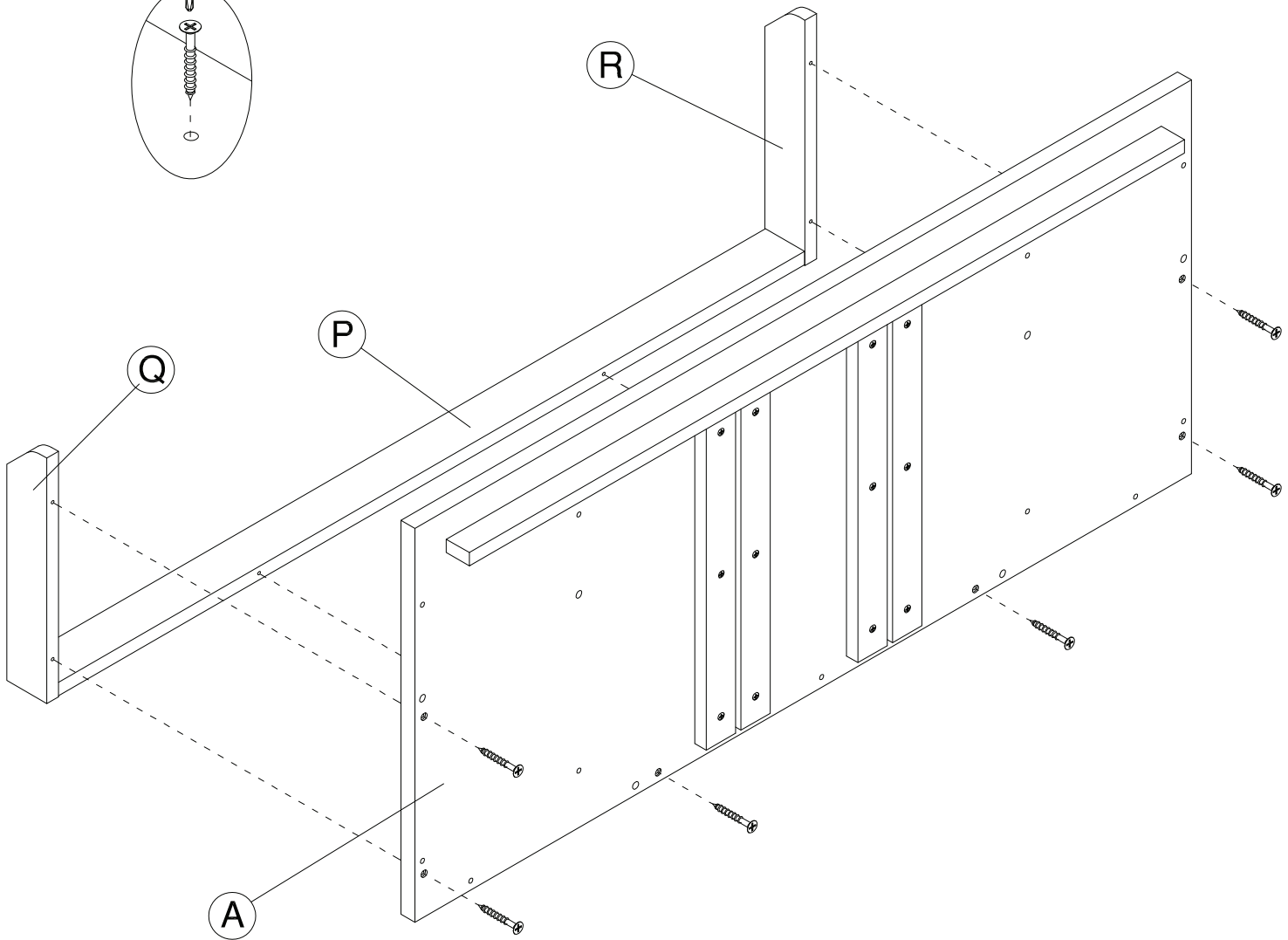
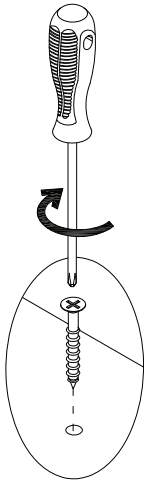


H23491



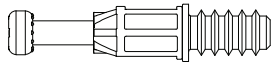
[ 6 ]

#10 x 2"



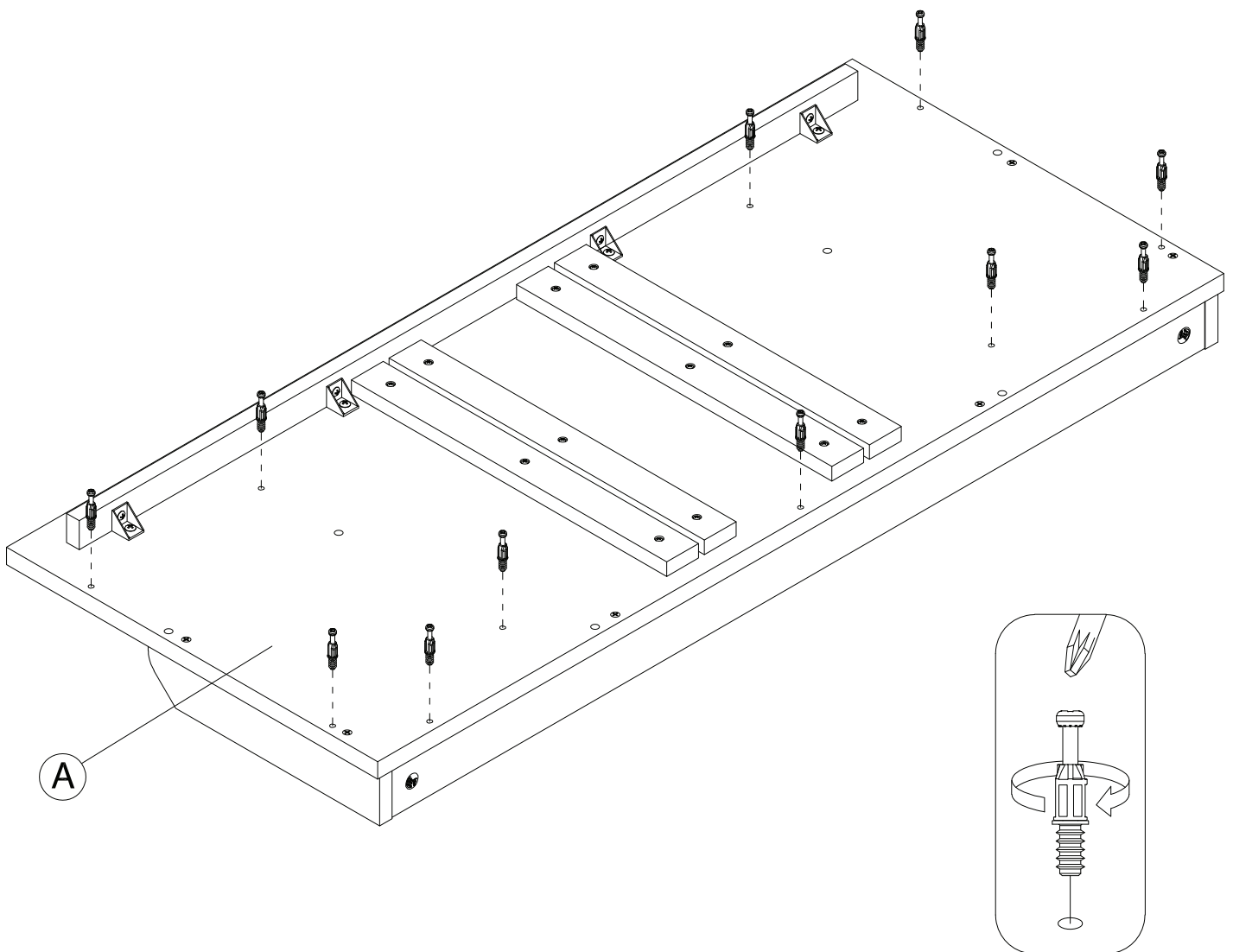
Have an assembly question or need a replacement part? Just call  
**1-800-950-4782**, we are here to help.

H72988



[ 11 ]

KD Bolt



Have an assembly question or need a replacement part? Just call  
**1-800-950-4782**, we are here to help.

# STEP 29

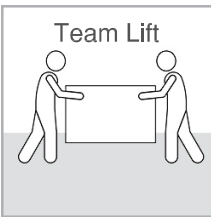
# Assemble Panels

A217015

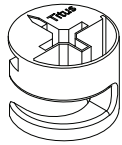
Scan QR Code to Watch Video on:



How to Tighten KD Cams

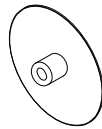
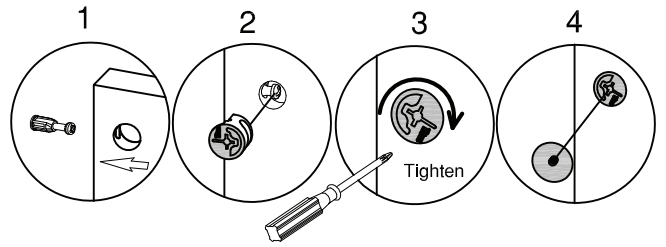


H181468



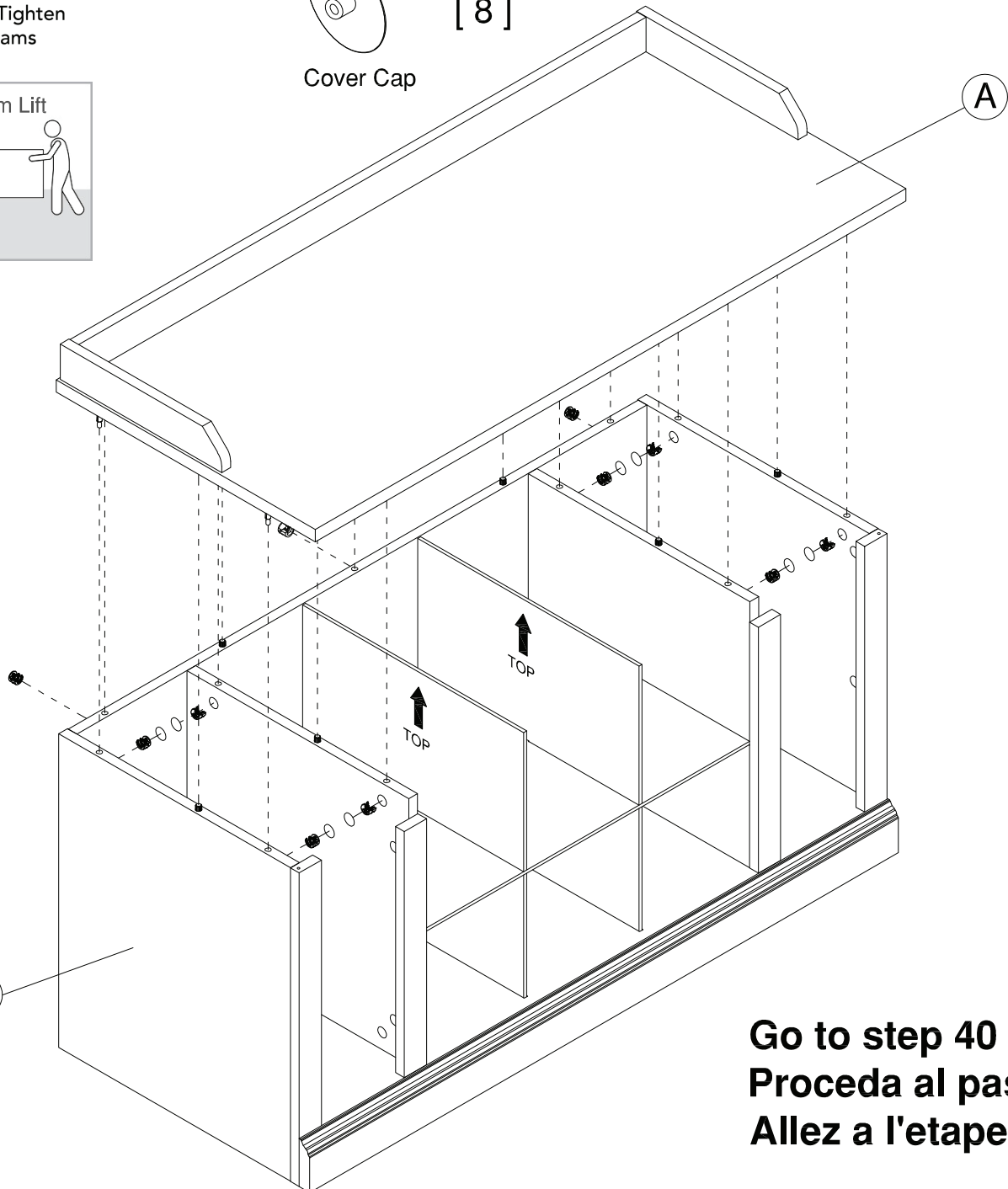
KD Cam

[ 11 ]



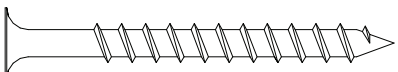
Cover Cap

[ 8 ]

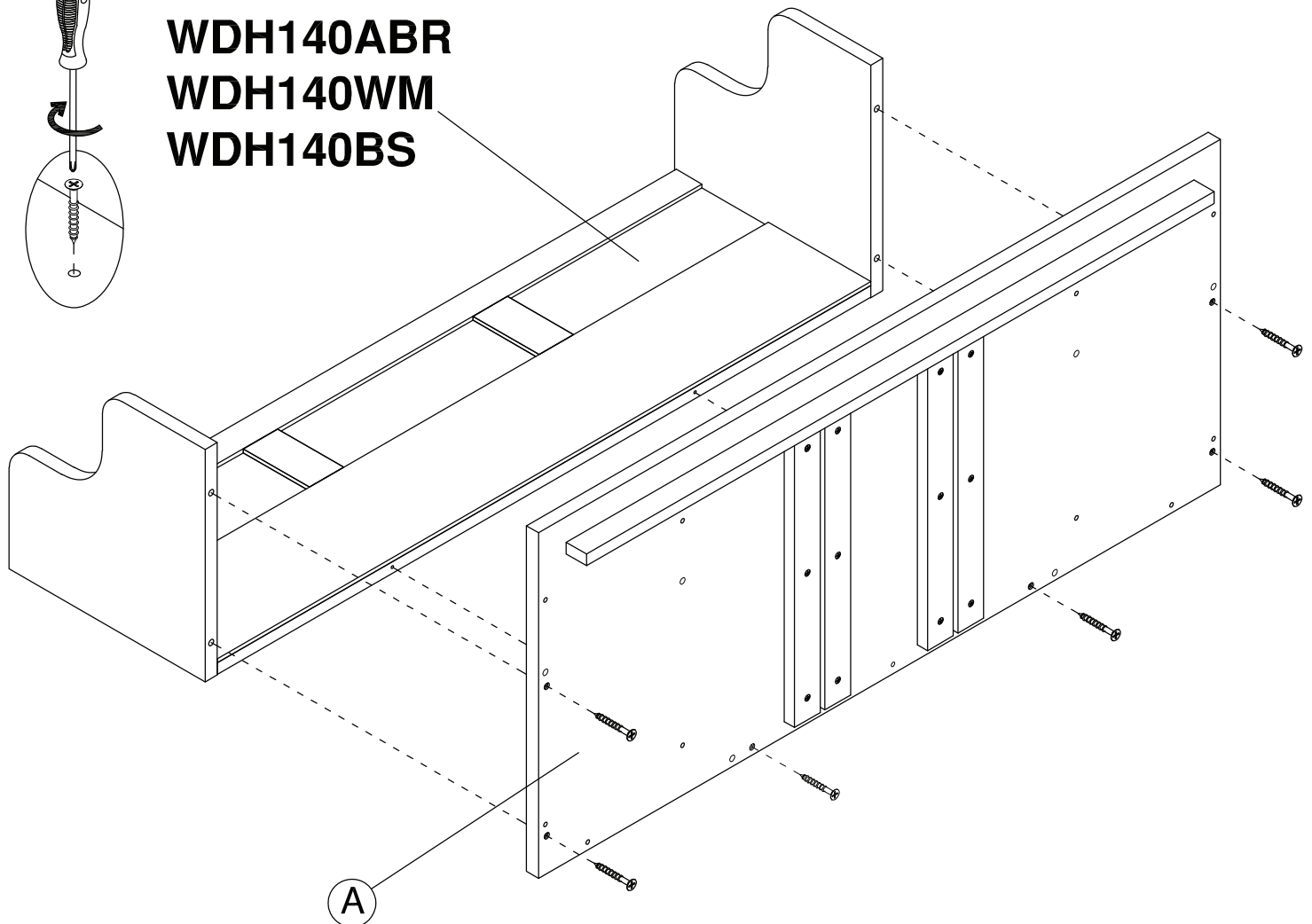
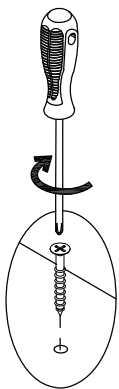


**Go to step 40**  
**Proceda al paso 40**  
**Allez a l'etape 40**

Have an assembly question or need a replacement part? Just call **1-800-950-4782**, we are here to help.

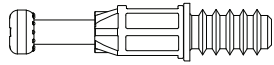
H23491  [ 6 ]  
#10 x 2"

**WDH140CG**  
**WDH140WAS**  
**WDH140ABR**  
**WDH140WM**  
**WDH140BS**



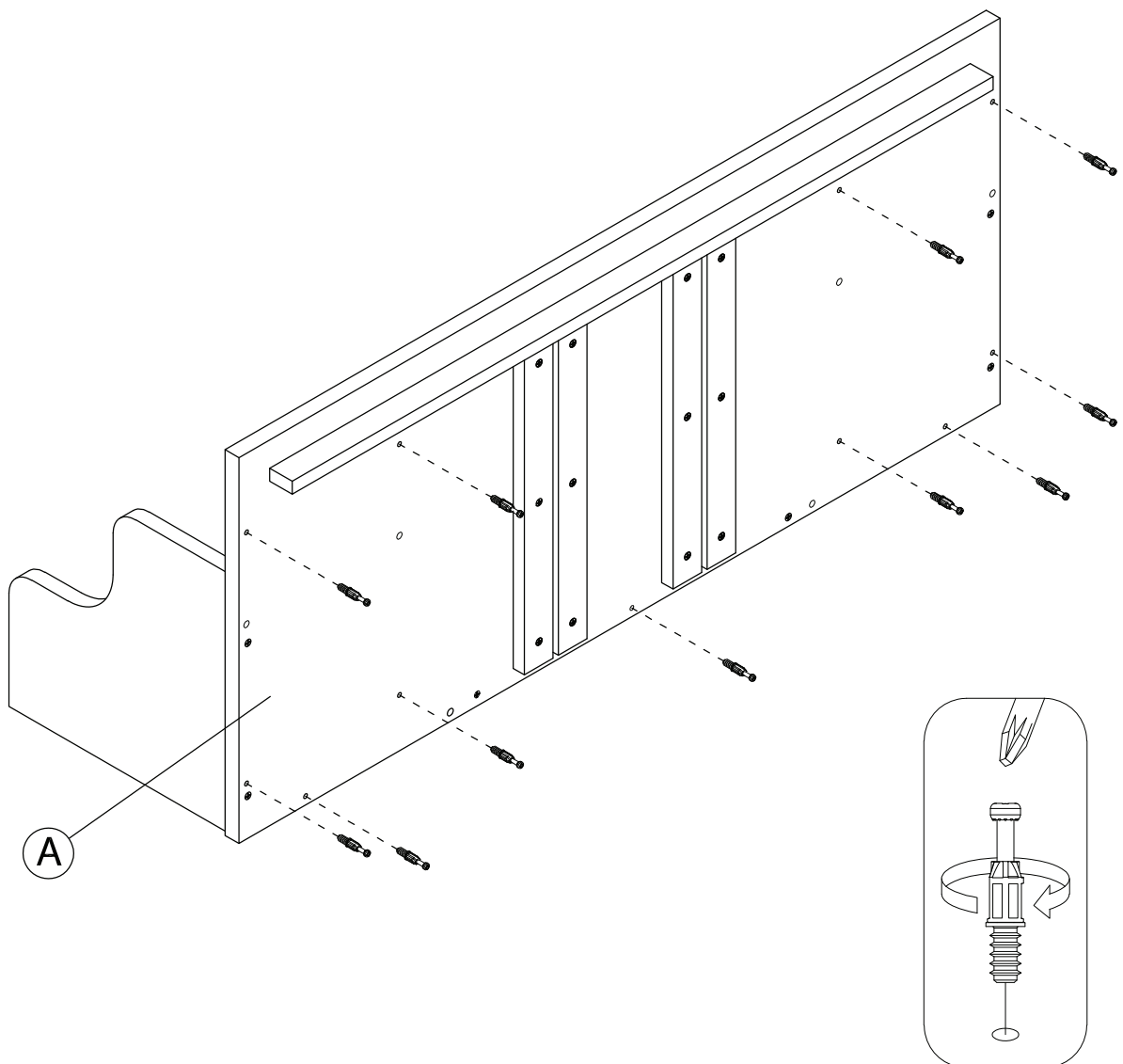
Have an assembly question or need a replacement part? Just call  
**1-800-950-4782**, we are here to help.

H72988



[ 11 ]

KD Bolt



Have an assembly question or need a replacement part? Just call  
**1-800-950-4782**, we are here to help.



# STEP 32

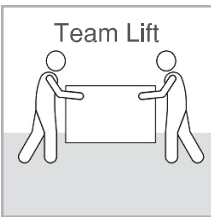
# Assemble Panels

A217015

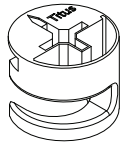
Scan QR Code to Watch Video on:



How to Tighten KD Cams

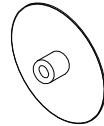
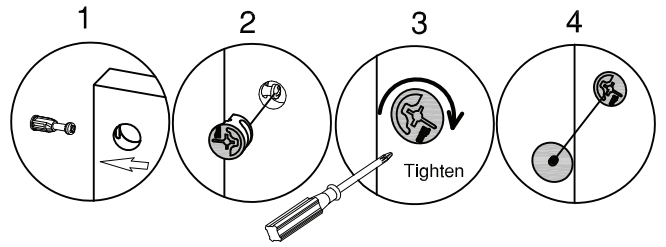


H181468



KD Cam

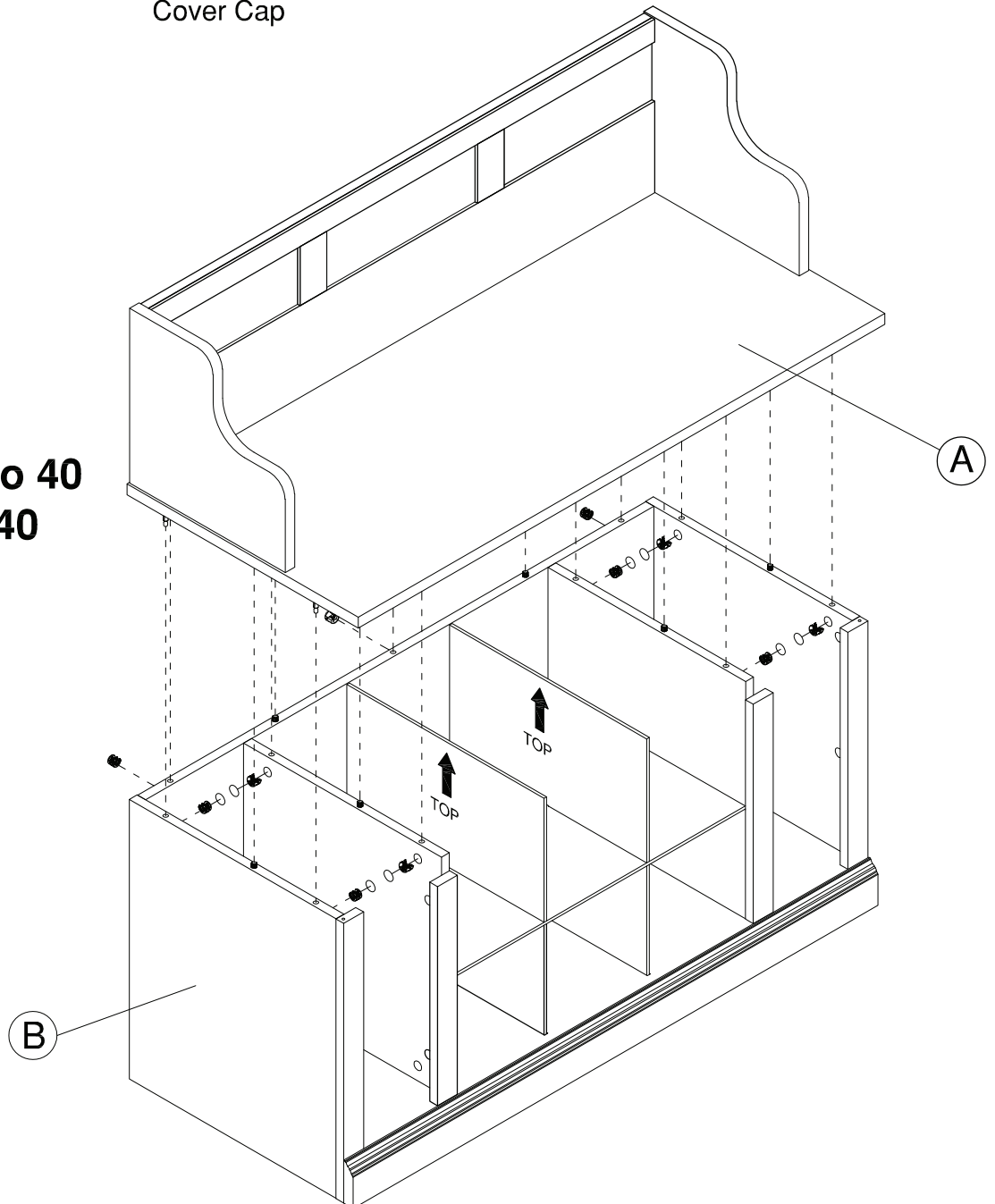
[ 11 ]



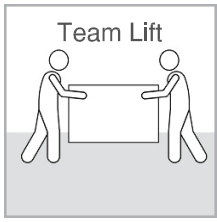
Cover Cap

[ 8 ]

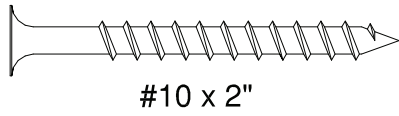
**Go to step 40**  
**Proceda al paso 40**  
**Allez a l'etape 40**



Have an assembly question or need a replacement part? Just call **1-800-950-4782**, we are here to help.

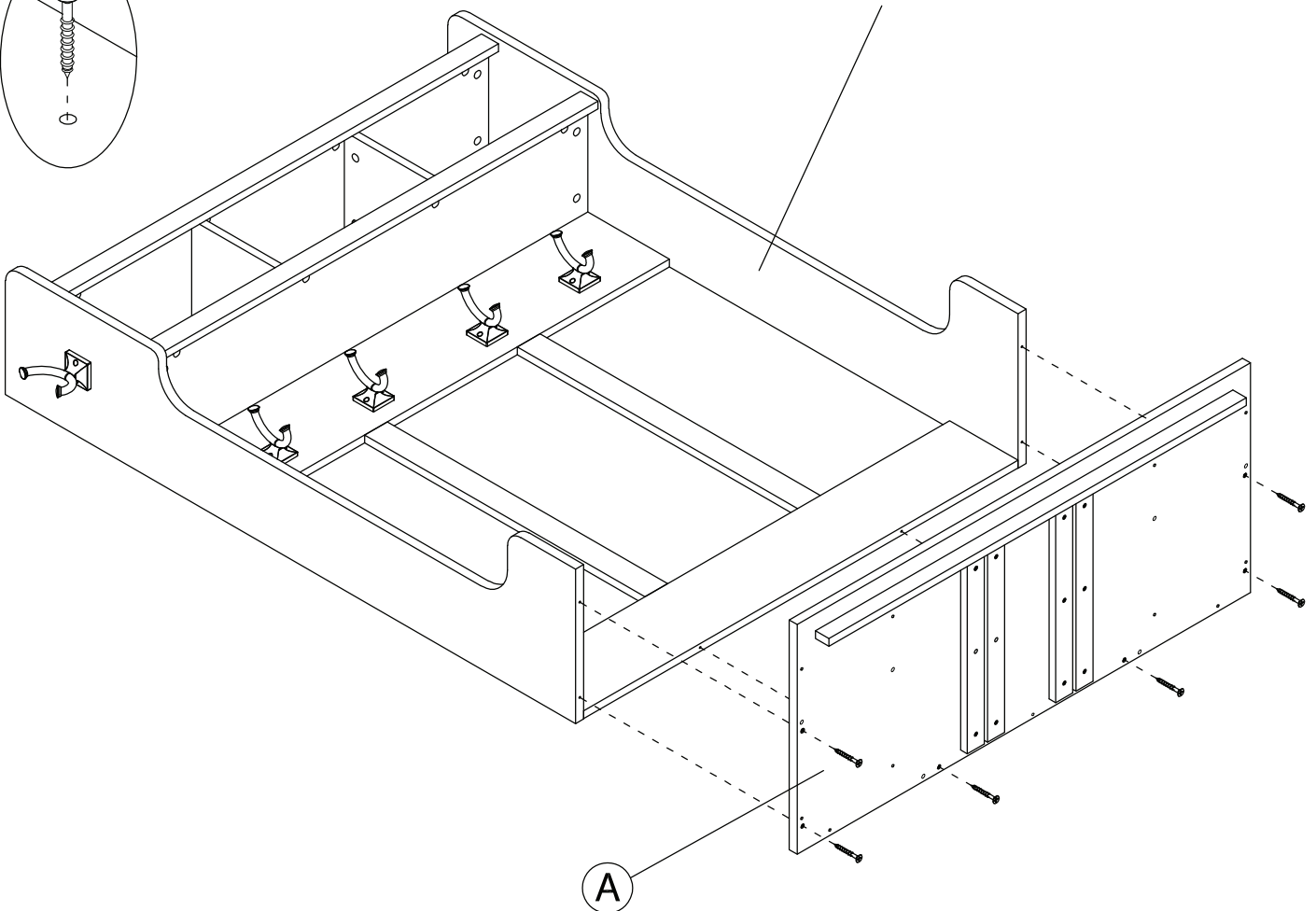
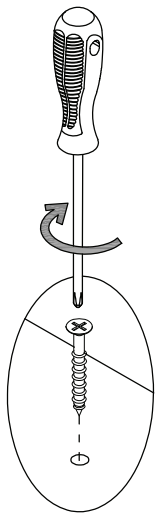


**H23491**



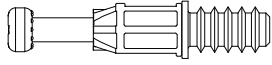
**[ 6 ]**

**WDH240CG  
WDH240WAS  
WDH240ABR  
WDH240WM  
WDH240BS**



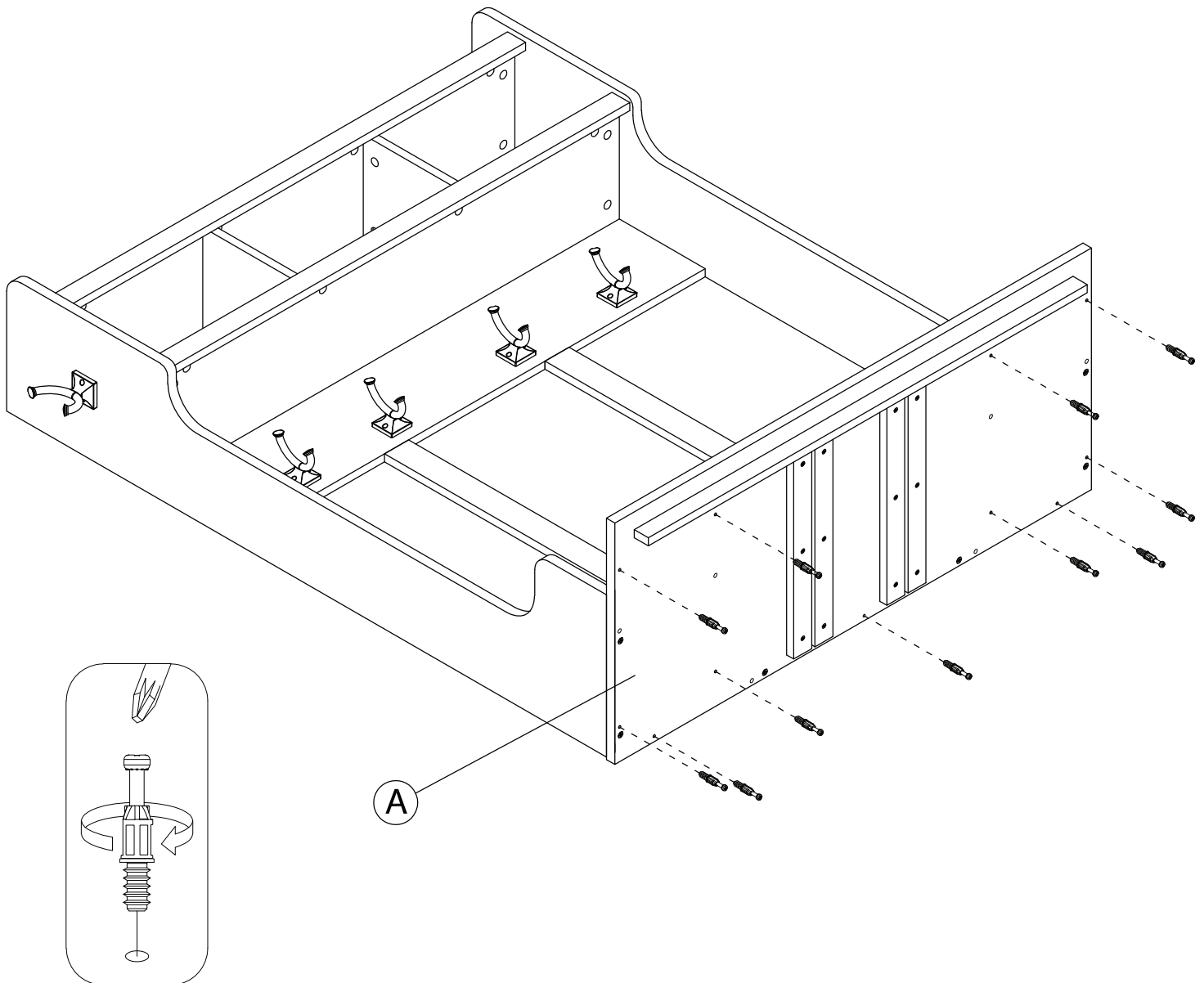
Have an assembly question or need a replacement part? Just call  
**1-800-950-4782**, we are here to help.

H72988



[ 11 ]

KD Bolt



Have an assembly question or need a replacement part? Just call  
**1-800-950-4782**, we are here to help.

# STEP 35

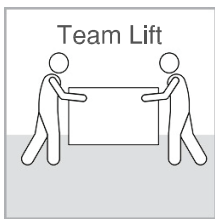
## Assemble Panels

A217015

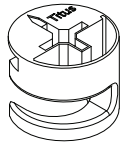
Scan QR Code to Watch Video on:



How to Tighten KD Cams

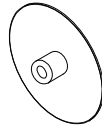
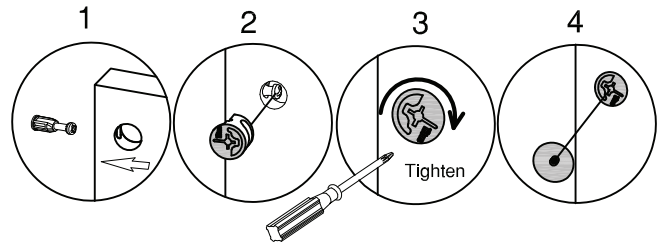


H181468



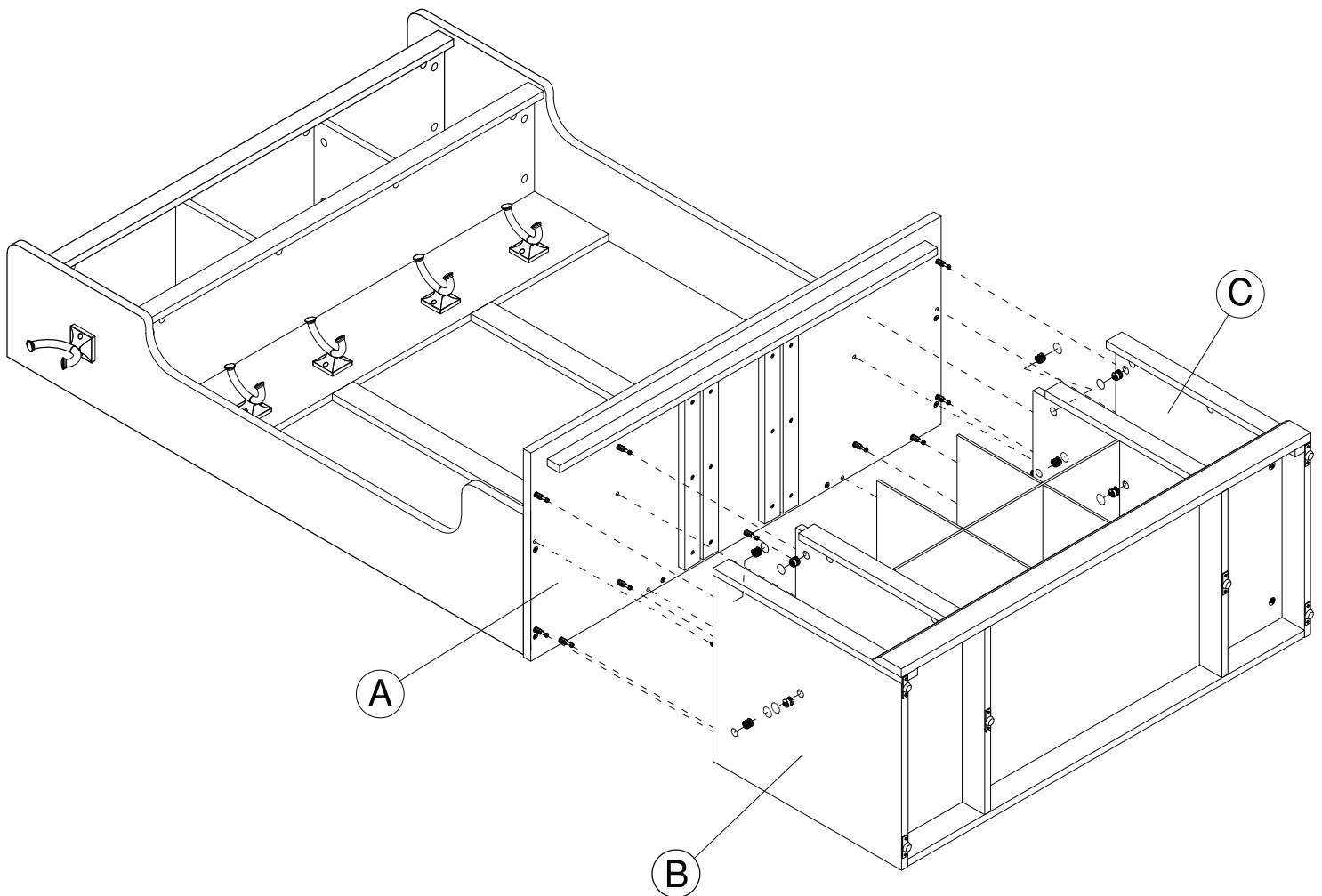
KD Cam

[ 8 ]



Cover Cap

[ 8 ]

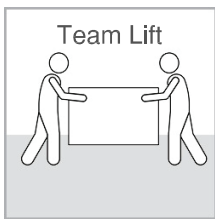


Have an assembly question or need a replacement part? Just call **1-800-950-4782**, we are here to help.

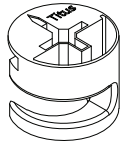
Scan QR Code to Watch Video on:



How to Tighten KD Cams

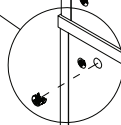
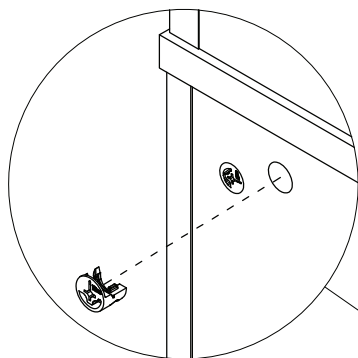
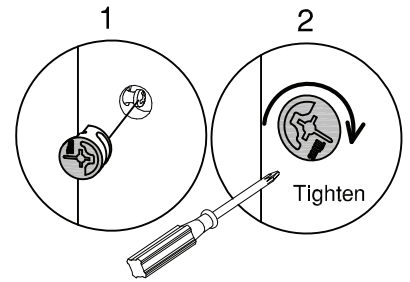


H181468

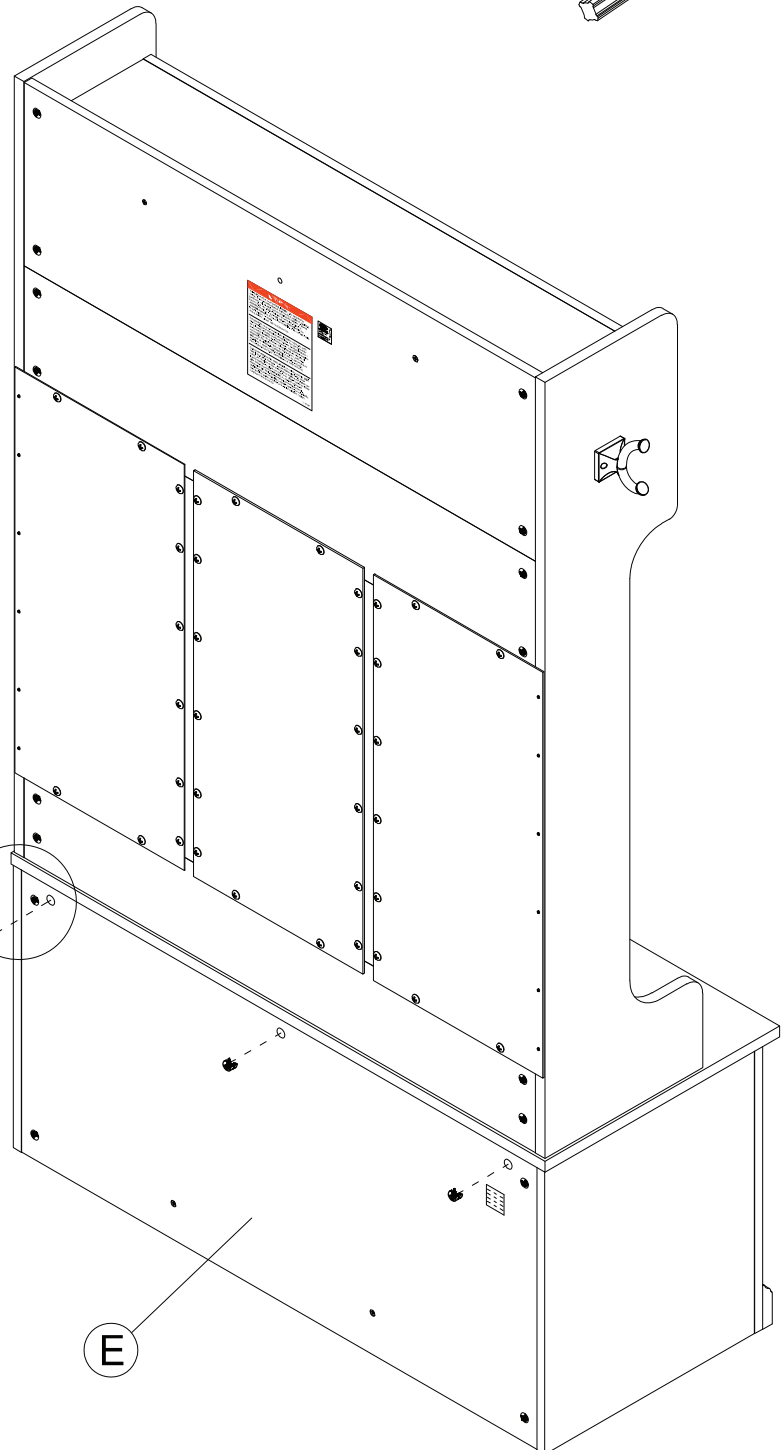


KD Cam

[ 3 ]



E



Have an assembly question or need a replacement part? Just call **1-800-950-4782**, we are here to help.

Secure unit to the wall with a tip-over restraint.

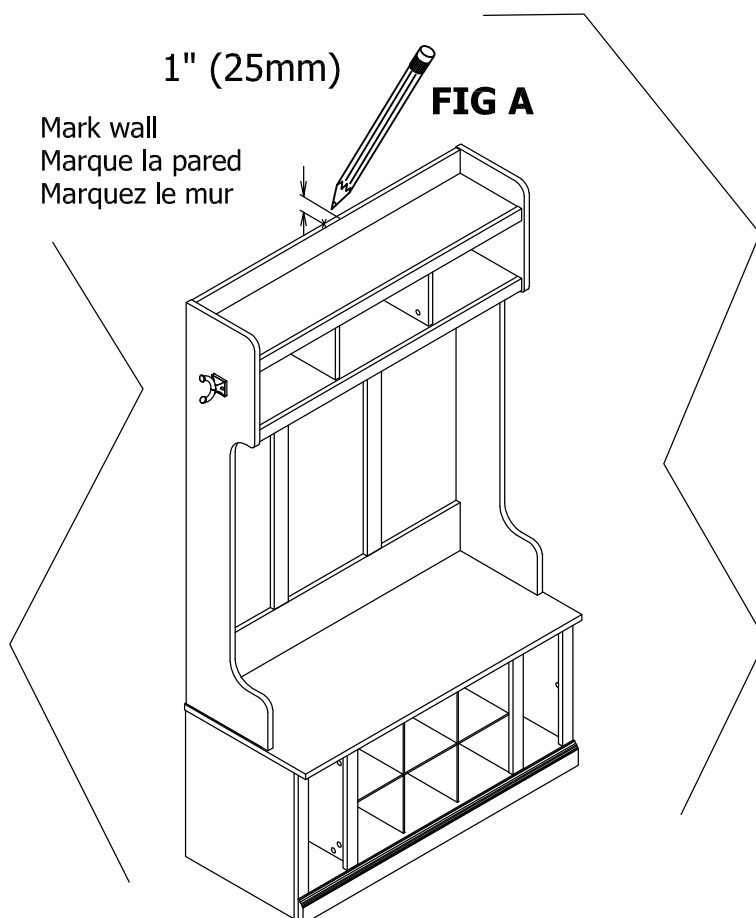
Unidad de seguro a la pared con un sistema de retención de un vuelco.

Fixer l'unité au mur avec un dispositif de retenue renversement.

1. Place unit in desired location.
2. Locate wall stud nearest unit center. **FIG A**
3. On wall, mark center of stud location 1" below top of unit. **FIG A**
4. If a wall stud cannot be located mark hollow wall at unit center. **FIG A**

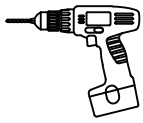
1. Coloque la unidad en el lugar deseado.
2. Localice pie derecho de pared centro de unidad más próxima.
3. En la pared del, marque el centro de la ubicación del montante 1 "abajo la parte superior de la unidad.
4. Si un poste de la pared no se puede localizar marcar pared hueca en el centro de la unidad.

1. Placez l'unité à l'endroit désiré.
2. Localiser centre d'unité la plus proche de la paroi Stud.
3. Sur le mur, centre de emplacement du montant 1 "ci-dessous dessus de l'appareil de la marque.
4. Si un montant de mur ne peut pas être situé marquer mur creux au centre de l'unité.



Have an assembly question or need a replacement part? Just call  
**1-800-950-4782**, we are here to help.

## WALL STUD ATTACHMENT

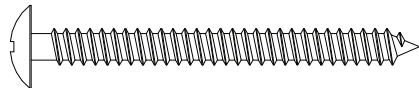


Drill 1/8" hole 2" deep at mark on wall.

Taladro 1/8 "agujero 2" de profundidad en la marca en la pared.

Percer 1/8 "trou de 2" de profondeur à la marque sur le mur.

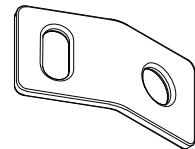
H181434



[ 1 ]

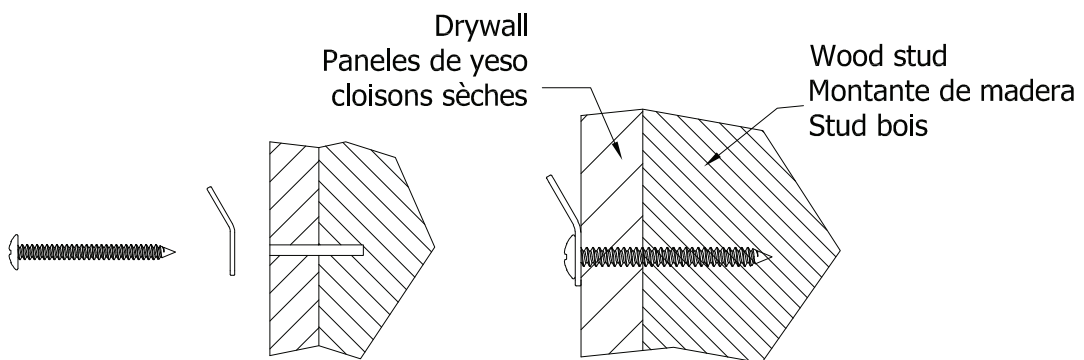
#10 x 2"

H181412

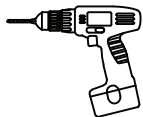


[ 1 ]

Connecting Plate



## HOLLOW WALL ATTACHMENT

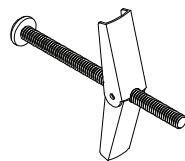


Drill 1/2" hole 1" deep at mark on wall.

Taladro 1/2 "agujero 1" de profundidad en la marca en la pared.

Percer 1/2 "trou de 1" de profondeur à la marque sur le mur.

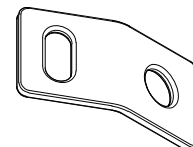
H181419



[ 1 ]

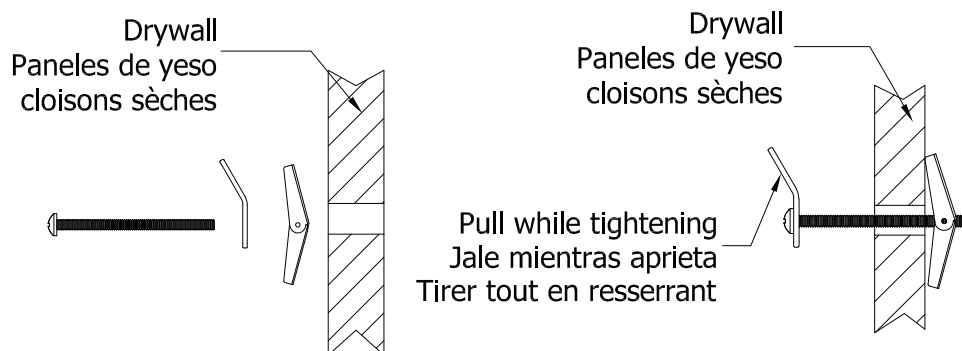
Toggle Bolt

H181412



[ 1 ]

Connecting Plate



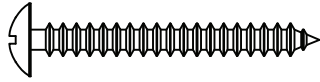
Have an assembly question or need a replacement part? Just call  
**1-800-950-4782**, we are here to help.

# STEP 39

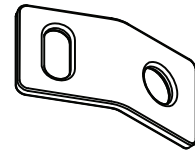
# Wall Attachment

A217015

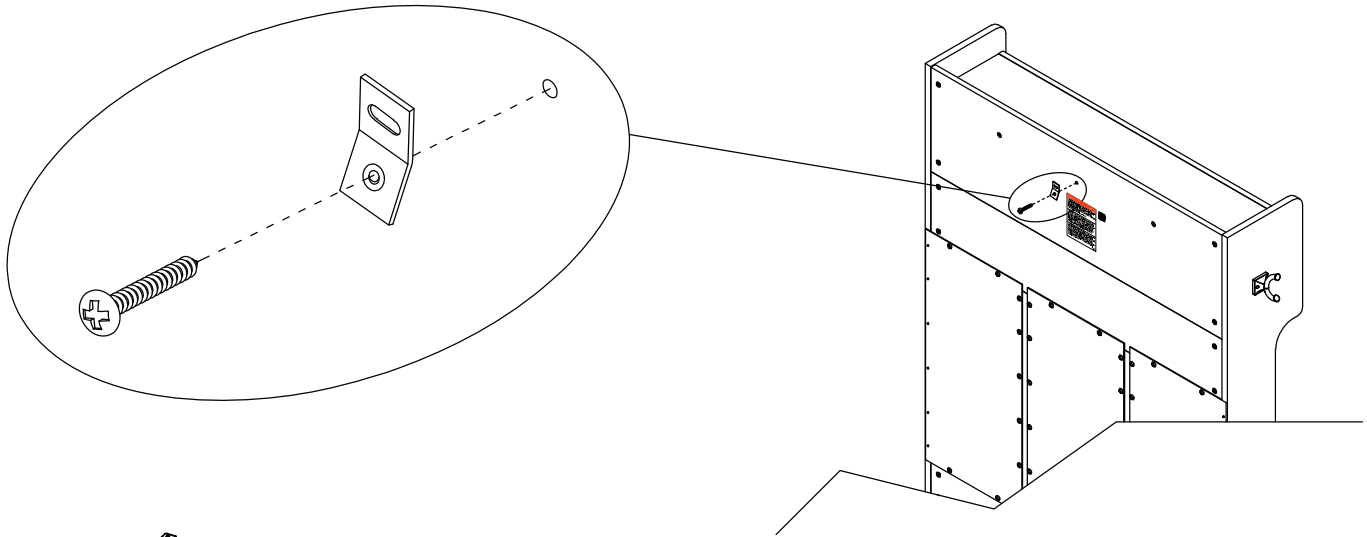
H107572 [ 1 ]  
#8 x 1-1/2"



H181412 [ 1 ]

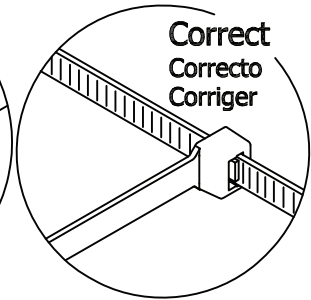
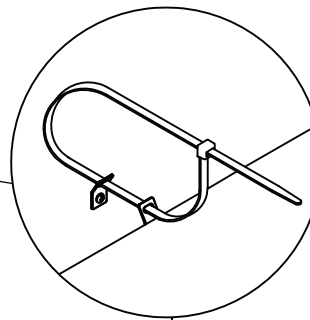
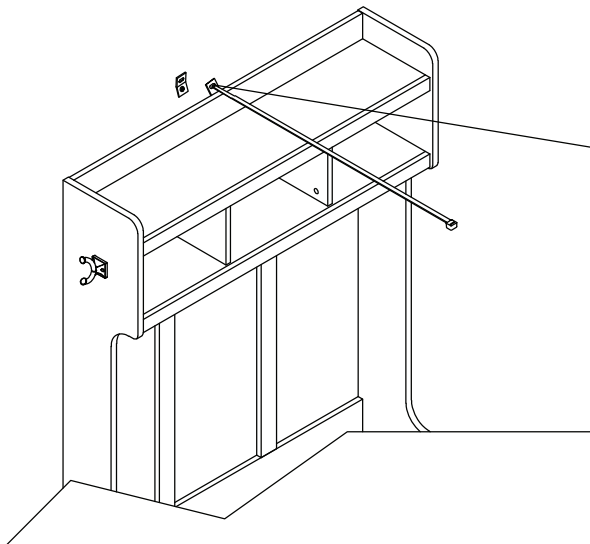
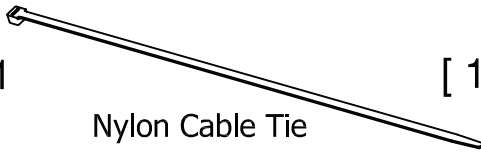


Connecting Plate



H181411 [ 1 ]

Nylon Cable Tie



Pull to verify lock  
Tire para verificar cerradura  
Tirez pour vérifier serrure

Use replacement cable tie with minimum breaking strength of 120lbs.  
Utilice reemplazo embate Cable con resistencia a la rotura mínima de 120 libras.  
Utilisez remplacement Attache de câble avec une force de rupture minimale de 120 lbs.

Have an assembly question or need a replacement part? Just call  
**1-800-950-4782**, we are here to help.



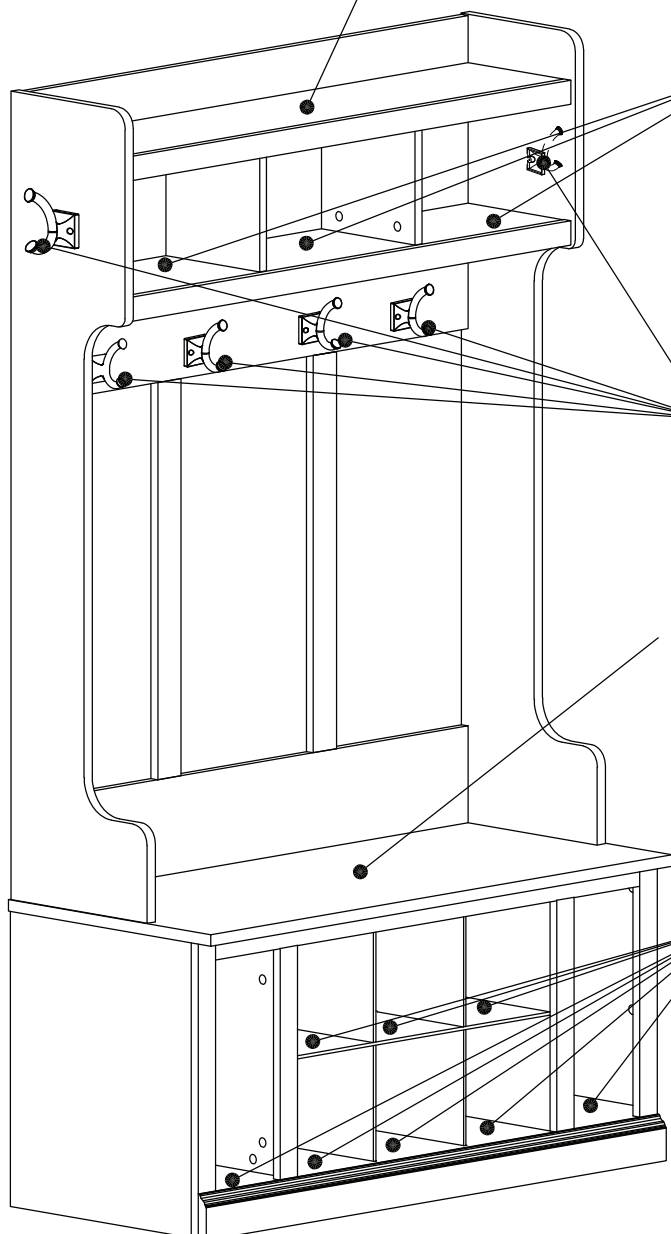
Scan QR Code to Watch Video on:



How to Clean the Surface

Gently clean surfaces with a damp sponge eraser.

**MAXIMUM WEIGHT: 25 LBS (11.3 KG)**  
**PESO MÁXIMO: 25 LIBRAS (11.3 KILOGRAMO)**  
**POIDS MAXIMUM: 25 LIVRES (11.3 KILOGRAMME)**



**MAXIMUM WEIGHT: 8LBS (3.6 KG)**  
**PESO MÁXIMO: 8 LIBRAS (3.6 KILOGRAMO)**  
**POIDS MAXIMUM: 8 LIVRES (3.6 KILOGRAMME)**

**MAXIMUM WEIGHT: 15 LBS (6.8 KG)**  
**PESO MÁXIMO: 15 LIBRAS (6.8 KILOGRAMO)**  
**POIDS MAXIMUM: 15 LIVRES (6.8 KILOGRAMME)**

**MAXIMUM WEIGHT: 250 LBS (113.4 KG)**  
**PESO MÁXIMO: 250 LIBRAS (113.4 KILOGRAMO)**  
**POIDS MAXIMUM: 250 LIVRES (113.4 KILOGRAMME)**

**MAXIMUM WEIGHT: 5 LBS (2.3KG)**  
**PESO MÁXIMO: 5 LIBRAS (2.3KILOGRAMO)**  
**POIDS MAXIMUM: 5 LIVRES (2.3 KILOGRAMME)**

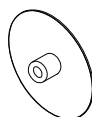
**Congratulations! You are all done. If you have any questions or concerns, please call.**

Have an assembly question or need a replacement part? Just call **1-800-950-4782**, we are here to help.

**WDS240CG**

A [ 1 ] W209470	G [ 2 ] W200837	M [ 1 ] W200843
B [ 1 ] W209471	H [ 2 ] W208915	N [ 1 ] W209475
C [ 1 ] W209472	I [ 4 ] W201575	O [ 1 ] W209476
D [ 1 ] W209473	J [ 2 ] W200840	P [ 1 ] W200846
E [ 1 ] W209474	K [ 1 ] W200841	Q [ 1 ] W200847
F [ 2 ] W208914	L [ 1 ] W200842	R [ 1 ] W200848

H186180



[ 20 ]

Cover Cap

**WDS240WAS**

A [ 1 ] W209477	G [ 2 ] W200856	M [ 1 ] W200862
B [ 1 ] W209478	H [ 2 ] W208915	N [ 1 ] W209482
C [ 1 ] W209479	I [ 4 ] W201575	O [ 1 ] W209483
D [ 1 ] W209480	J [ 2 ] W200859	P [ 1 ] W200865
E [ 1 ] W209481	K [ 1 ] W200860	Q [ 1 ] W200866
F [ 2 ] W208913	L [ 1 ] W200861	R [ 1 ] W200867

H192368



[ 20 ]

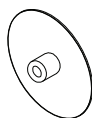
Cover Cap

Have an assembly question or need a replacement part? Just call  
**1-800-950-4782**, we are here to help.

**WDS240ABR**

A [ 1 ] W209484	G [ 2 ] W200875	M [ 1 ] W200881
B [ 1 ] W209485	H [ 2 ] W208915	N [ 1 ] W209489
C [ 1 ] W209486	I [ 4 ] W201575	O [ 1 ] W209490
D [ 1 ] W209487	J [ 2 ] W200878	P [ 1 ] W200884
E [ 1 ] W209488	K [ 1 ] W200879	Q [ 1 ] W200885
F [ 2 ] W208912	L [ 1 ] W200880	R [ 1 ] W200886

H200200



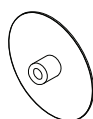
[ 20 ]

Cover Cap

**WDS240WM**

A [ 1 ] W212464	G [ 2 ] W212469	M [ 1 ] W212472
B [ 1 ] W212465	H [ 2 ] W208915	N [ 1 ] W212473
C [ 1 ] W212466	I [ 4 ] W201575	O [ 1 ] W212474
D [ 1 ] W212467	J [ 2 ] W212470	P [ 1 ] W212461
E [ 1 ] W212468	K [ 1 ] W212471	Q [ 1 ] W212462
F [ 2 ] W212452	L [ 1 ] W212457	R [ 1 ] W212463

H211377



[ 20 ]

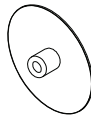
Cover Cap

Have an assembly question or need a replacement part? Just call  
**1-800-950-4782**, we are here to help.

**WDS240BS**

A [ 1 ] W211519	G [ 2 ] W211524	M [ 1 ] W211526
B [ 1 ] W211520	H [ 2 ] W208915	N [ 1 ] W211527
C [ 1 ] W211521	I [ 4 ] W201575	O [ 1 ] W211528
D [ 1 ] W211522	J [ 2 ] W211508	P [ 1 ] W211492
E [ 1 ] W211523	K [ 1 ] W211525	Q [ 1 ] W211493
F [ 2 ] W211454	L [ 1 ] W211488	R [ 1 ] W211494

H160399



[ 20 ]

Cover Cap

**THIS PAGE INTENTIONALLY LEFT BLANK**

**THIS PAGE INTENTIONALLY LEFT BLANK**

**THIS PAGE INTENTIONALLY LEFT BLANK**

# WARRANTY INFORMATION/INFORMATIONS POUR LA GARANTIE/INFORMACIÓN DE GARANTÍA

## BUSH FURNITURE'S WRITTEN WARRANTY TO YOU

In order to provide you with timely assistance, please thoroughly inspect your furniture for missing or defective parts immediately after opening the carton. To receive replacement or missing parts under this warranty, call our Consumer Service Department TOLL-FREE at 1-800-950-4782. Please have the Model, Part, and Lot Numbers found in the instruction manual available for your reference. You will also need your sales receipt or other proof of purchase. Replacement part(s) will be shipped to you at no charge with Bush Industries assuming all shipping and handling charges.

This Bush Furniture product is warranted to the original purchaser at the time of purchase and for a period of three years thereafter.

We warrant to you, the original purchaser, that our furniture and all its parts and components are free of defects in material or workmanship. "Defects," as used in this warranty, is defined as any imperfection which impairs the use of the furniture product.

Our warranty is expressly limited to the replacement of furniture parts and components. For three years after the date of purchase, Bush will replace any parts that are defective in material or workmanship.

This warranty applies under conditions of normal use. Our Bush Furniture products are not intended for outdoor use. This warranty does not cover: 1) defects caused by improper assembly or disassembly; 2) defects occurring after purchase due to product modification, intentional damage, accident, misuse, abuse, negligence or exposure to the elements; and 3) labor or assembly costs. 4) batteries are not included.

IMPLIED WARRANTIES, INCLUDING THE WARRANTY OF MERCHANTABILITY, SHALL NOT EXTEND BEYOND THE DURATION OF THE WRITTEN WARRANTY STATED ABOVE, AND IN NO EVENT SHALL BUSH BE LIABLE FOR INCIDENTAL OR CONSEQUENTIAL DAMAGES RESULTING FROM USE OF THE PRODUCT. Some states do not allow a limitation on how long an implied warranty lasts or the exclusion or limitation of incidental or consequential damages, so the above limitation and exclusion may not apply to you.

This warranty gives you specific legal rights. You may also have other rights that may vary from state to state.

## VOTRE GARANTIE BUSH FURNITURE

Afin de vous assister rapidement, veuillez inspecter votre mobilier en détail immédiatement après l'ouverture du carton en cas de pièces manquantes ou défectueuses. Pour recevoir une pièce de rechange ou manquante couverte par cette garantie, appelez notre département de service clientèle GRATUITEMENT au 1-800-950-4782. Veuillez tenir à disposition les numéros de modèle, de pièce et de lot qui se trouvent dans le manuel d'instruction pour votre référence. Vous aurez également besoin de votre reçu ou d'une autre preuve d'achat. La (les) pièce(s) de rechange vous sera (seront) envoyée(s) sans frais, Bush Industries se chargeant de tous les frais d'expédition.

Tout le produit Bush Furniture est garanti à l'acheteur original à partir de la date d'achat pour une période d'e trois ans.

Nous vous garantissons, à vous l'acheteur original, que notre mobilier et toutes ses pièces et composants sont sans défaut de matériau ou de fabrication. Le terme "défauts" utilisé dans cette garantie, est défini comme étant toutes les imperfections qui compromettent l'utilisation du meuble.

Notre garantie est expressément limitée au remplacement des pièces et des composants du mobilier. Pendant trois ans après la date d'achat, Bush remplacera toute pièce défectueuse dans le matériau ou sa fabrication.

Cette garantie d'applique sous des conditions d'utilisation normale. Nos produits ne sont pas destinés à être utilisés en plein air. Cette garantie ne couvre pas: 1) les défauts causés par un mauvais assemblage ou démontage, 2) les défauts ayant lieu après l'achat et dus à la modification du produit, des dommages intentionnels, des accidents, une mauvaise utilisation, un mauvais traitement, la négligence ou l'exposition aux éléments, et 3) les frais de main d'œuvre ou d'assemblage. 4) les piles ne sont pas incluses.

LES GARANTIES TACITES, Y COMPRIS LA GARANTIE DE QUALITE MARCHANDE, NE S'ETENDRONT PAS AU-DELA DE LA DUREE ECRITE CITEE CI-DESSUS, ET BUSH NE SERA EN AUCUN CAS RESPONSABLE DES DOMMAGES ACCESSOIRES OU INDIRECTS RESULTANT DE L'UTILISATION DU PRODUIT. Certains états ne permettent pas d'appliquer une limite à la durée de la garantie tacite, ni une exclusion ou limitation des dommages accessoires ou indirects; dans ce cas les limitations ou exclusion ci-dessus peuvent ne pas s'appliquer à vous.

Cette garantie vous donne des droits légaux spécifiques. Il se peut que vous ayez également d'autres droits qui peuvent varier d'un état à l'autre.

## GARANTIA ESCRITA DE BUSH FURNITURE PARA USTED

Para brindarle asistencia oportuna, por favor, verifique detalladamente que a su mueble no le falte o tenga piezas defectuosas inmediatamente después de abrir la caja. Para recibir un reemplazo o la parte faltante bajo esta garantía, llame a nuestro Departamento de Servicio al Consumidor GRATIS al 1-800-950-4782. Sírvase traer los números de modelo, parte y lote que se encuentran en el manual de instrucciones disponible para su referencia. Además, necesitará el recibo de su compra u otra prueba de compra. La(s) pieza(s) de reemplazo le será(n) enviada(s) sin recargo por Bush Industries asumiendo los gastos de envío y manipuleo.

Todo mueble de Bush Furniture es garantizado al comprador original al momento de la compra y por un periodo de tres años en adelante.

Le garantizamos a usted, el comprador original, que nuestros muebles sus partes y componentes están libres de defectos en materiales o trabajo. "Defectos", según se usa en esta garantía, se define como una imperfección que perjudica el uso del producto mobiliario.

Nuestra garantía se limita expresamente al reemplazo de partes y componentes mobiliarios. Durante tres años después de la fecha de compra, Bush reemplazará cualquier parte defectuosa en material o trabajo.

Esta garantía se aplica bajo condiciones de uso normal. Nuestros productos de Bush Furniture no son para uso en exteriores. Esta garantía no cubre: 1) defectos causados por un ensamblaje o desensamblaje inadecuado; 2) defectos que ocurran después de la compra debido a modificación del producto, daño intencional, accidente, mal uso, abuso, negligencia o exposición a los elementos; y 3) costos de trabajo o ensamblaje. 4) las baterías no están incluidas.

LAS GARANTÍAS IMPLICADAS, INCLUYENDO LA GARANTÍA DE COMERCIABILIDAD, NO SE EXTENDERÁN MÁS ALLÁ DE LA DURACIÓN DE LA GARANTÍA ESCRITA MENCIONADA, Y EN NINGÚN CASO BUSH SERÁ RESPONSABLE POR DAÑOS INCIDENTALES O CONSIGUIENTES COMO RESULTADO DEL USO DEL PRODUCTO. Algunos estados no permiten una limitación sobre el tiempo de duración de la garantía implicada o la exclusión o limitación de daños incidentales o consiguientes, de manera que la limitación y exclusión mencionadas pueden no aplicarse para usted.

Esta garantía le otorga derechos legales específicos. Puede también tener otros derechos que pueden variar según los estados.

**3-Year**  
Manufacturer's  
Warranty

### Register your product online:

Scan the QR Code or go to  
[https://bushfurniture.com/  
activate-warranty/](https://bushfurniture.com/activate-warranty/)



### Assembly tips & how to videos:

Scan the QR Code to access our video  
guides [https://bushfurniture.com/  
help-faq/#assembling](https://bushfurniture.com/help-faq/#assembling)

