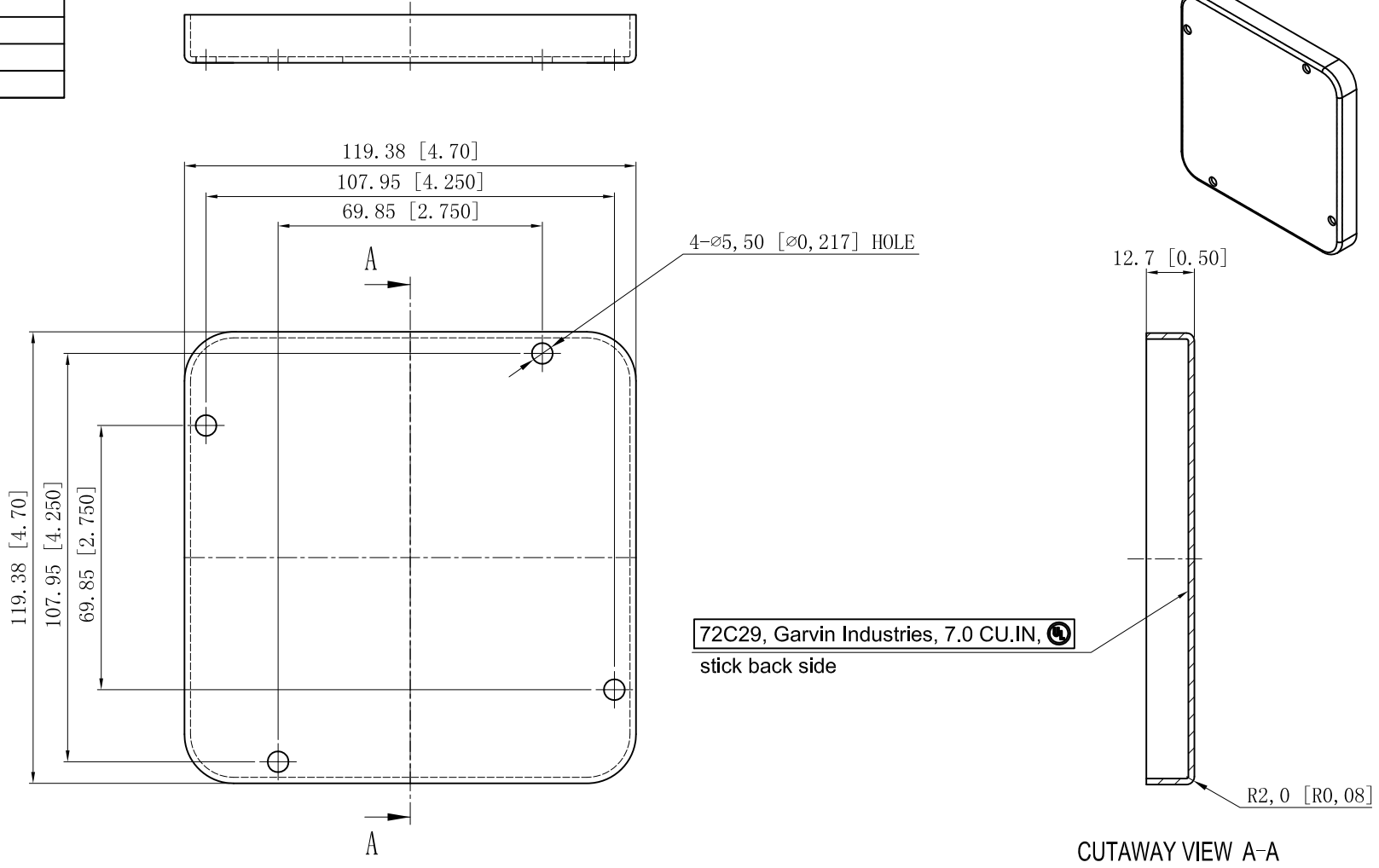


SIDES	BOTTOM
Material: Steel-0.0625"-G60 Galvanized	



DESCRIPTION
TRADE REFERENCE TERMS

This data sheet is for reference only .GARVIN INDUSTRIES reserves the right to make changes to the design without prior notice.

STANDARD PACKING	<b>GARVIN INDUSTRIES</b>		
25 PCS			
	TITLE	4-11/16" INDUSTRIAL "GARVIN" COVERS	
	SIZE	DWG NO.	REV
	A4	72C29	A
	DATA SHEET		