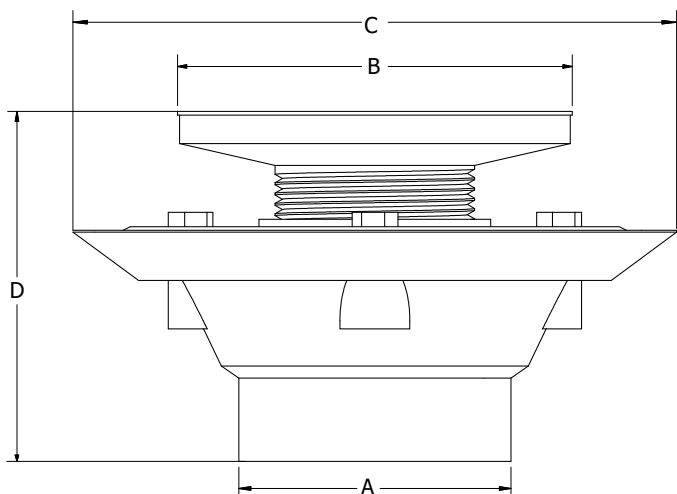


## 2" X 3" PVC SHOWER DRAIN WITH 2" PVC SPUD AND 4" STRAINER, PRIMER TAPPED



- Fits over 2" or inside 3" Schedule 40 DWV pipe
- Comes with round screw-in stainless steel strainer
- Durable gray PVC spud to camouflage dirt and soap scum
- Ability to use a snap-in or screw-in strainer
- Low profile for first and second floor installations
- Beveled edge allows for recessed installation
- Reversible clamping ring for additional 1/2" height adjustment
- Brass inserts ensure secure clamping of membrane
- Dual weep holes
- Recessed sump area for added drainage
- Use D50998 tailpiece extension when additional height is needed
- Primer tapped



Part No.	Strainer - Shape	Strainer - Finish	A - Pipe Size	B	C	D
D50120	Round	Stainless Steel	3.00" OD, 2.40" ID	4.20"	6.52"	3.78" -5.15"
D50121	Round	Polished Brass	3.00" OD, 2.40" ID	4.20"	6.52"	3.78" -5.15"
D50122	Round	Polished Brass Cast	3.00" OD, 2.40" ID	4.20"	6.52"	3.78" -5.15"
D50123	Round	Chrome Plated Cast	3.00" OD, 2.40" ID	4.20"	6.52"	3.78" -5.15"
D50124	Round	Nickel Bronze Cast	3.00" OD, 2.40" ID	4.20"	6.52"	3.78" -5.15"