



XOU15WGS\_  
UNDERCOUNTER WINE COOLER  
SINGLE ZONE



Zero clearance hinges  
for a flush installation

Fully extending telescoping  
racks cushion your bottles

Intuitive digital touch controls

Secure door lock

## 15" UNDERCOUNTER WINE COOLER

Keep 34 bottles close at hand and ready to serve at 41° to 64°F.

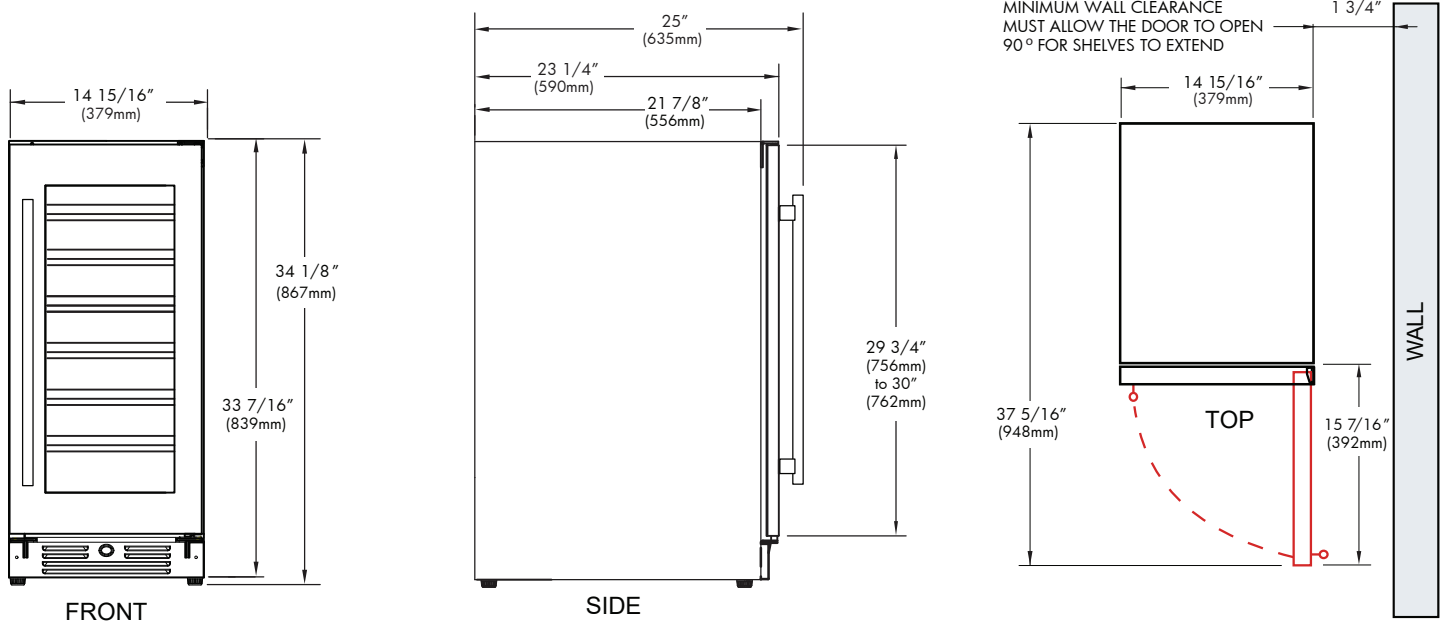
This elegant, efficient wine storage and serving center is the perfect choice for convenient entertaining. At only 15" wide and designed to install flush with your cabinetry, this quiet and efficient wine cooler will prove to be the ideal choice for entertaining or just relaxing.

When it is all about the wine - it is all about XO.

WORLD CLASS SERVICE | COMPREHENSIVE WARRANTIES  
OUR LASTING COMMITMENT TO YOU



\*Specify **R** for right hand hinge - or - **L** for left hand hinge



**FEATURES**

**CAPACITY**

Full extension smooth glide racks hold:  
(34) 750ml bottles at 41° to 64°F

**FEATURES**

- Zero clearance hinges for flush integration\*
- Secure door lock
- Non-reversible door - specify right or left hinge
- Library quiet 39 dBA operation
- Elegant tri-color interior illumination
- Intuitive digital touch controls
- 6 1/2' Power Cord with low profile 90° flat plug
- Low E Glass blocks harmful UV light
- Alarm Functions
- Energy Saver and Sabbath Mode

\* Note: zero clearance hinges are visible just above and below the door panel

**SPECIFICATIONS**

**ELECTRICAL** 120V 60HZ 4.35 AMP\*

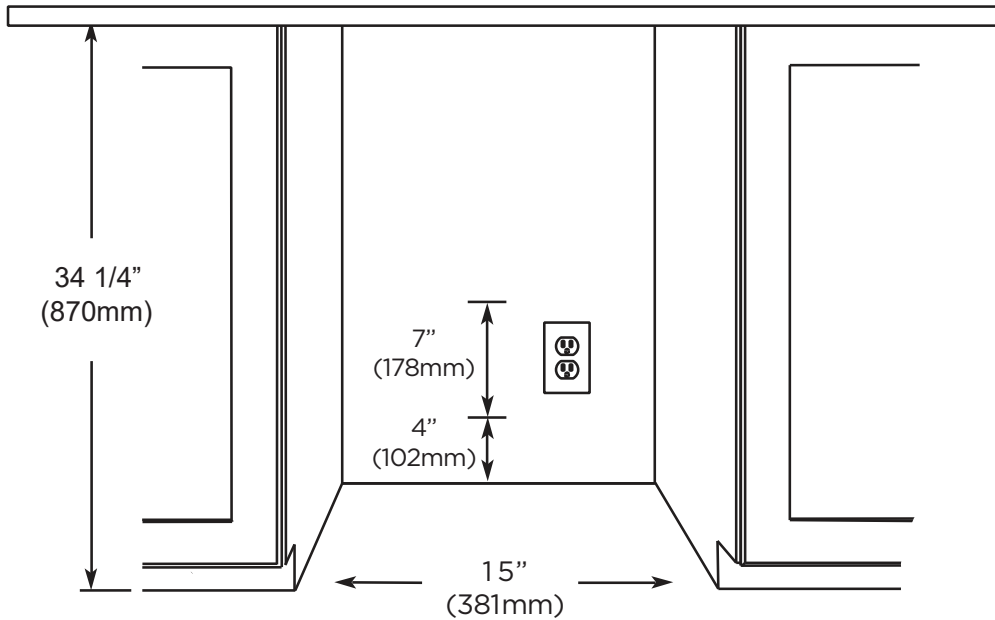
**DIMENSIONS** H 34 1/8"  
W 14 15/16"  
D 23 1/4"

**ROUGH IN** H 34 1/4" min  
W 15"  
D 24"

**REFRIGERANT** R600A



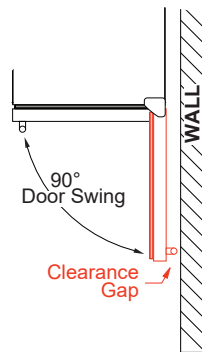
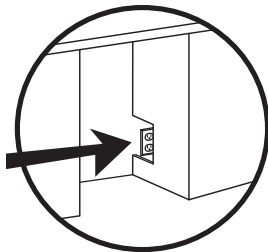
ROUGH IN DIMENSIONS



ALL XO UNDERCOUNTER UNITS ARRIVE PRE-WIRED WITH LOW PROFILE PLUGS FOR EASY INSTALLATION



NEED MORE SPACE - CUT INTO AN ADJOINING CABINET TO REACH AN OUTLET THERE



WHEN INSTALLING WITH THE HINGE SIDE NEXT TO A WALL - LEAVE 1-3/4" CLEARANCE GAP FOR CABINET HANDLES

DOOR MUST BE ABLE TO OPEN A MINIMUM OF 90°.

THE DOOR STOP IS SET AT 110° BUT CAN BE RESET TO 90° OR 140° .

IF THE DOOR CANNOT OPEN FULLY YOU CANNOT EXTEND THE SHELVES.

CONSULT THE MANUAL FOR INSTRUCTIONS ON CHANGING THE DOOR STOP SETTING.