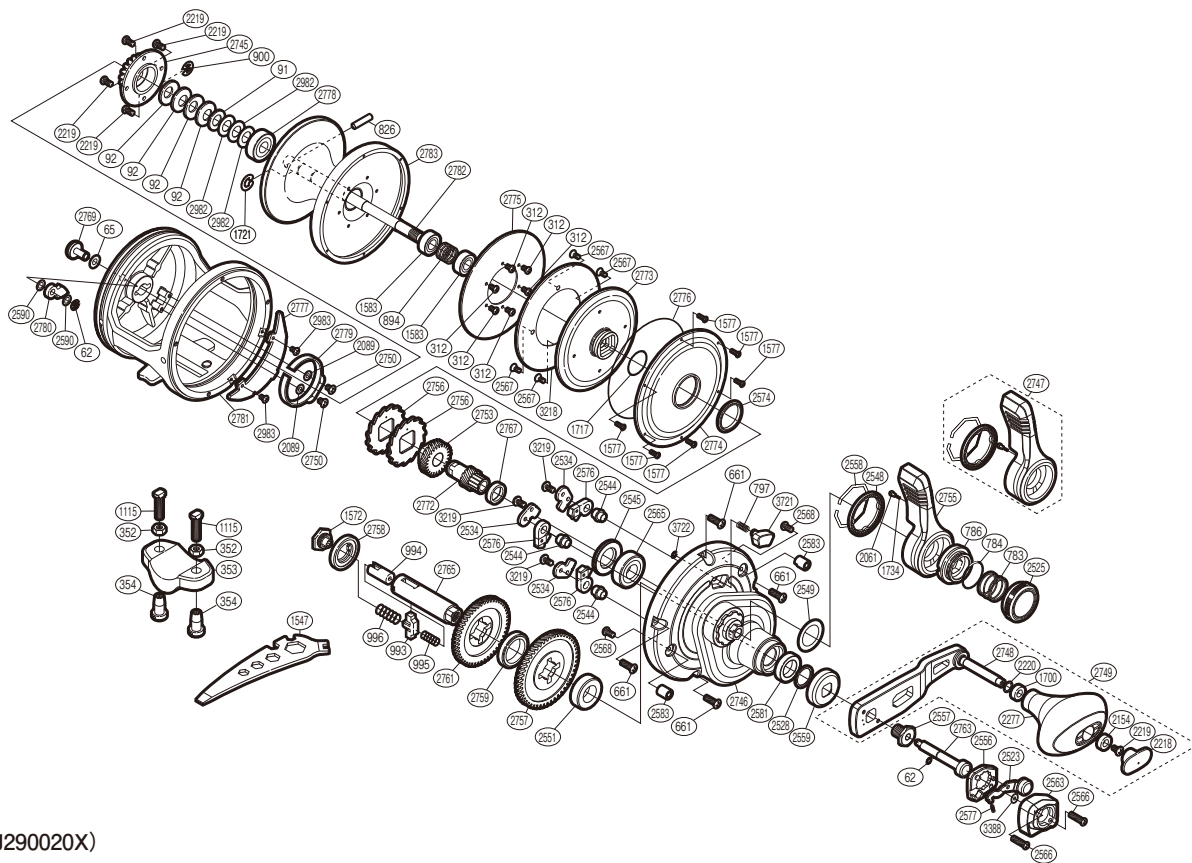


SHIMANO

SpeedMaster

SPM20II



(51RJ290020X)

#	Part No.	Description	#	Part No.	Description	#	Part No.	Description
62	105NK	E Lock	2528	10TLR	Washer	2761	10SN4	Drive Gear B
65	104H2	Washer	2534	10DU8	Anti Reverse Pawl Keeper	2763	10RVB	Push Low Button Shaft
91	104L5	Washer	2544	1013X	Anti Reverse Pawl Pin	2765	10RVA	Drive Shaft
92	1052E	Preload Spring	2545	10DU3	Bearing Waterproof Seal	2767	10RV1	Pinion Gear Collar
312	10MPP	Screw	2548	1013M	Click Plate	2769	10RVC	Click Button
661	10M70	Screw	2549	10DTY	Lever Thrust Washer	2772	10RV0	Pinion Gear A
783	10M64	Dial Spring	2551	1013L	Drive Shaft Bushing	2773	10SN7	Pinion Guard
784	108WL	Body O Seal	2556	10DTX	Handle Nut Plate	2774	10SNB	Cooling Shield
786	10CC0	Lever Shaft Body	2557	1013U	Handle Bolt	2775	10SC8	Drag Washer
797	10BNL	Pressure Spring	2558	1013Q	Click Plate Retainer	2776	10SN6	O Ring
826	104LB	Cross Pin	2559	10DU9	Drive Shaft Shield	2777	10RUX	Set Plate Sticker
894	1060C	Pressure Release Spring	2563	10E1Z	Push Button Shield	2778	10QXH	Ball Bearing
900	105RZ	E Lock	2565	107AV	Ball Bearing	2779	10GUV	Click Spring
993	10KXH	Gear Select Cross Bar	2566	10L9V	Screw	2780	10GQP	Click Pawl
994	10KXL	Cross Bar Stop	2567	10LA1	Screw	2781	10RYQ	Frame Assembly
995	109VM	Drive Shaft Spring B	2568	10LFK	Screw	2782	10RBX	Spool Shaft
996	10KXQ	Drive Shaft Spring	2574	10DQZ	Waterproof Ring	2783	10E7S	Spool
1572	10FCD	Drive Shaft Screw	2576	10PKG	Anti Reverse Pawl	2982	10SYV	Washer
1577	10PRU	Screw	2577	10DR0	Slide Plate Spring	2983	10LCQ	Screw
1583	104Q5	Ball Bearing	2581	10SAG	Drive Gear Bushing	3218	10SC9	Drag Plate
1700	104UJ	Handle Knob Bushing	2583	10E1W	Bolt Shield	3219	10LFC	Screw
1717	10EYQ	Pinion Guard Support	2590	10ST7	Washer	3388	105AA	Washer
1721	105S4	C-Lock	2745	10SXR	Click Gear Assy	3721	13APT	Strike Stop
1734	10BT2	Click Spring	2746	10SXT	Right Side Plate Assembly	3722	13APU	E Lock
2061	10MFC	Lever Click	2748	10SXS	Handle Shank Assembly			
2089	10GHP	Washer	2749	10SXQ	Handle Assembly	2747	10SXM	Drag Control Lever Mono Assembly
2154	10EU0	Handle Knob Bushing A	2750	10LFB	Screw			
2218	106K0	Handle Knob Seal	2753	10SN5	Pinion Gear B	352	105N9	Rod Clamp Nut B (Accessory)
2219	10LFA	Screw	2755	10RSP	Drag Control Lever	353	10AR5	Rod Clamp (Accessory)
2220	10HEP	Washer	2756	10SNN	Anti Reverse Ratchet	354	1046P	Rod Clamp Nut A (Accessory)
2277	105ZD	Handle Knob	2757	10SNP	Drive Gear A	1115	10EXG	Rod Clamp Bolt (Accessory)
2523	10TKR	Slide Plate	2758	10D5C	Drive Gear Washer A			
2525	10TKS	Pre-Program Dial Assembly	2759	10D62	Drive Gear Washer C	1547	10MJ8	Wrench

Please note that the number of adjusting washers may not be the same as shown in the exploded views.
(Adjustment will vary with each individual product.)

(230801)_006