

# INSTALLATION MANUAL

## TUB SPOUT

### ITEM NO.:

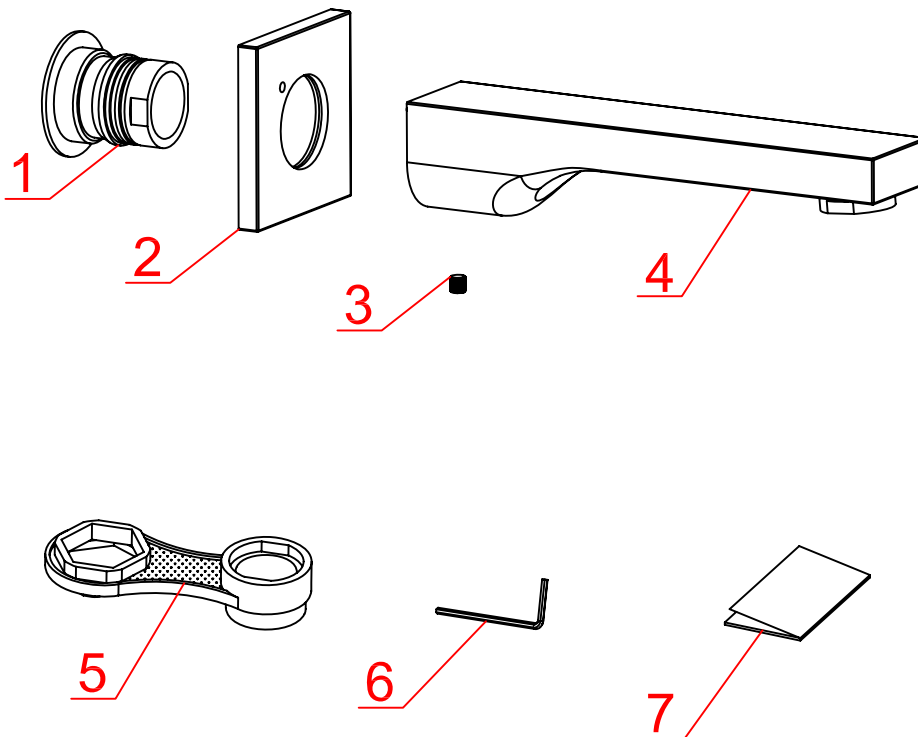


### ※COMPONENT CHECKING

#### LIST OF THE STANDARD COMPONENTS:

Please double-check the components list hereinafter and contact our company or our distributor for any unconformity.

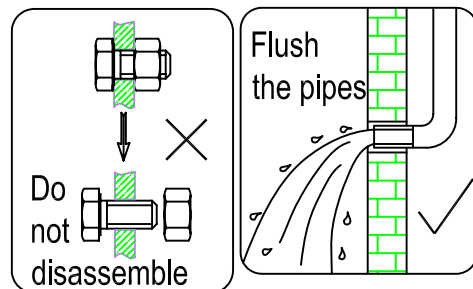
Remark: 1. Without affecting their performing, components may be changed without further notice;  
2. Drawings for reference only. Product size & shape refer to actual model.



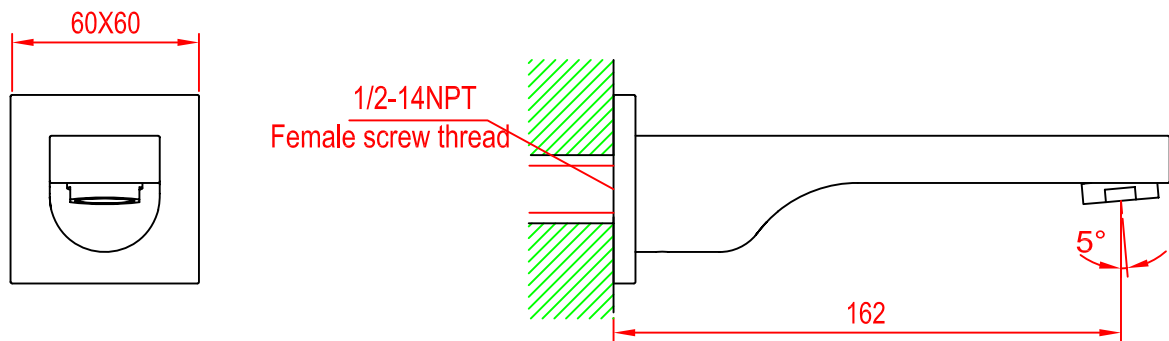
The components list	QTY
1. Connecting core	1
2. Decorative plate	1
3. Screw	1
4. Spout	1
5. Spanner	1
6. Allen key	1
7. Installation manual	1

### ※Installation instructions

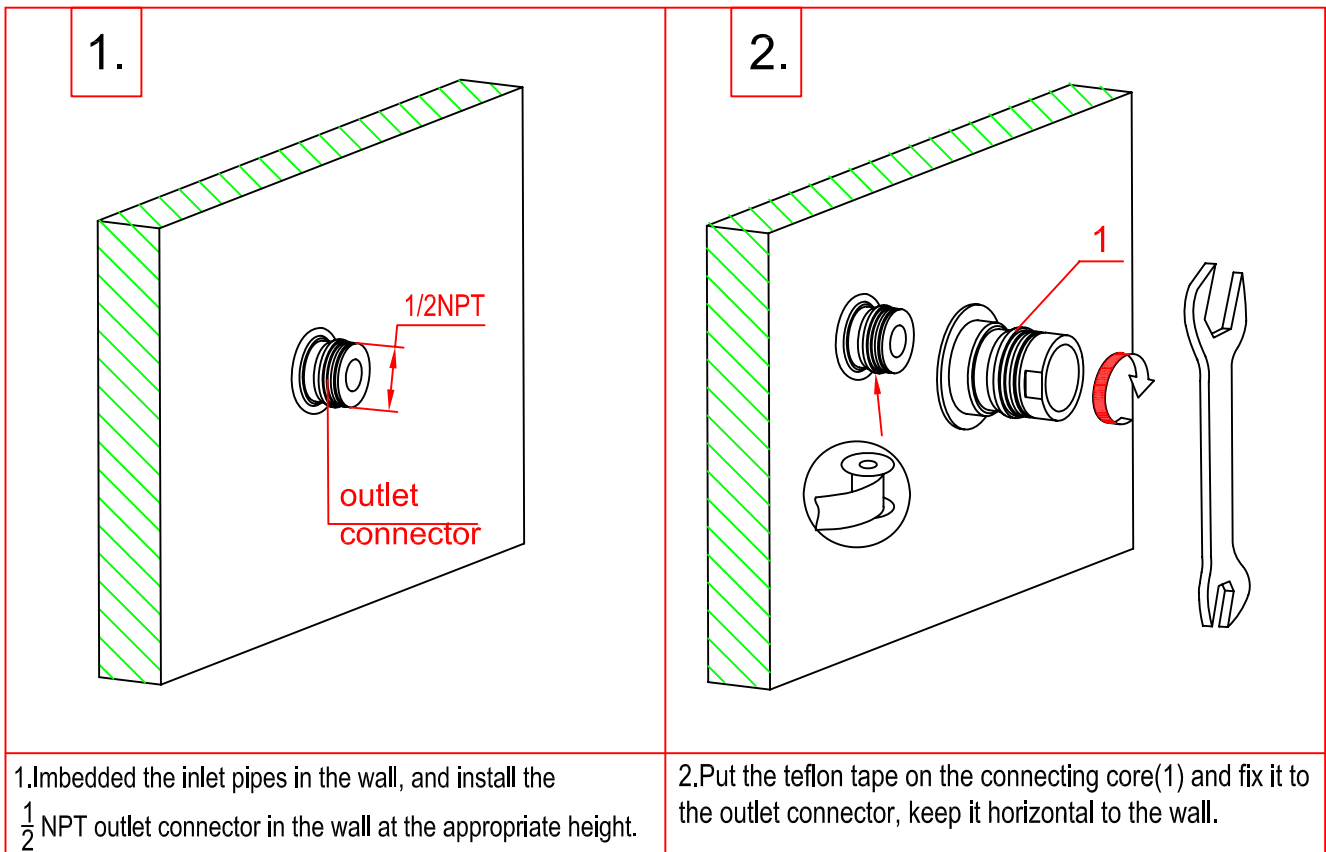
- ☆ Do not disassemble the main body, as it has been installed & commissioned correctly & precisely before leaving the factory;
- ☆ To avoid the faucet from jamming, do flush the water pipes before installation;
- ☆ After installation, make sure every joint safely sealed & no leaking;
- ☆ The nominal water pressure is 0.05-1.0MPa(including cold & hot water pressure), suitable for water temperature from 4°C-90°C.

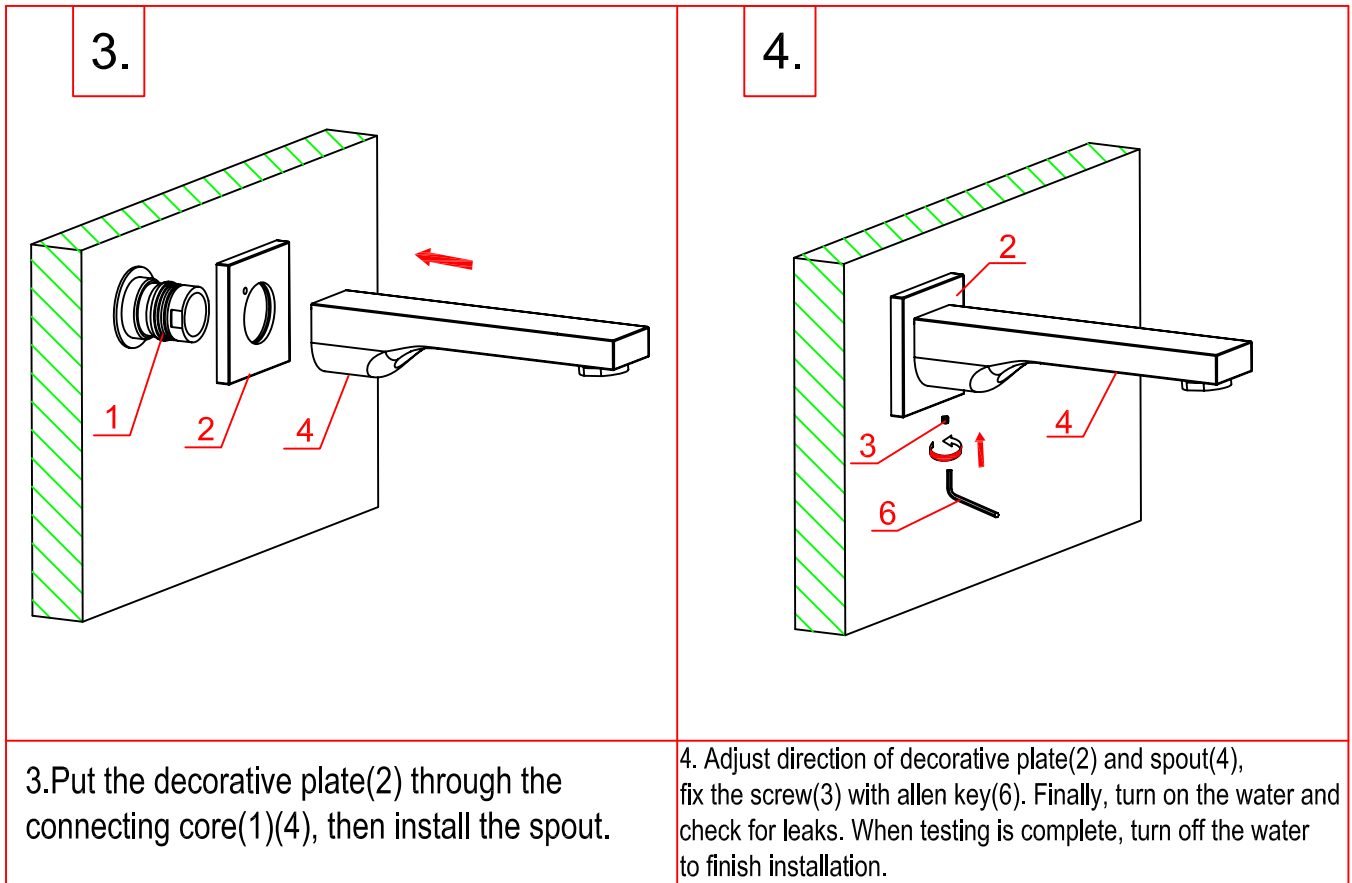


## ※Dimension drawing



## ※Installation procedures





### ※ Usage

- 1.After installation, turn on the mixer, water comes out from spout.
- 2.If any dirt to make the flow rate become smaller, please circumrate the aerator off with spanner and clean it.

### ※ Cleaning & Maintenance

☆ To keep the product clean & shining, follow the steps as below:

- 1.Flush with clean water & dry with soft cloth only;
- 2.If any dirt, clean with soft liquid or transparent glass detergent;
- 3.Do not use any scrubbing detergent, polisher, sand-cloth, paper tissue or scraper;
- 4.Do not use any acid detergent, indissolvable grain-like detergent or soap;
- 5.If any dirt to make the flow rate become smaller, please take the aerator off with spanner and clean it.After cleaning, rinse thoroughly with clean water to remove any cleaner residue



※ This installation instruction is only for your reference, the final right to explain & to revise is belongs to us.

Serial number: 80010200502