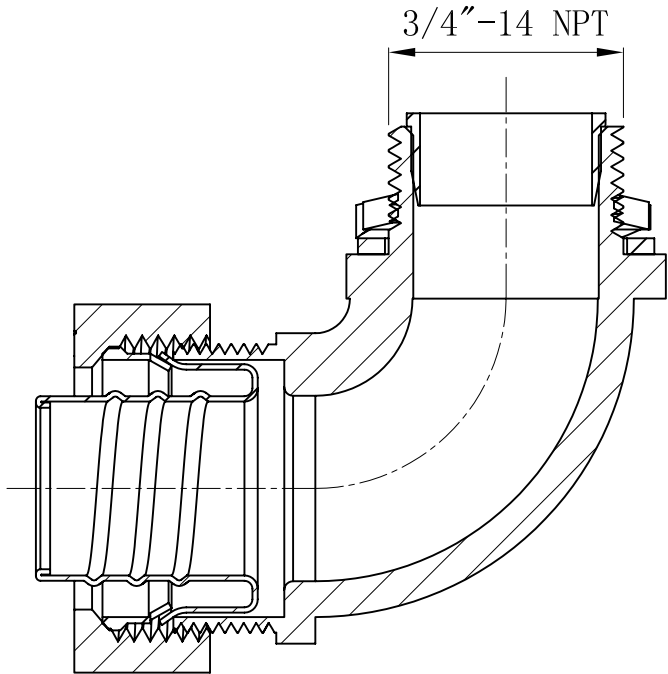
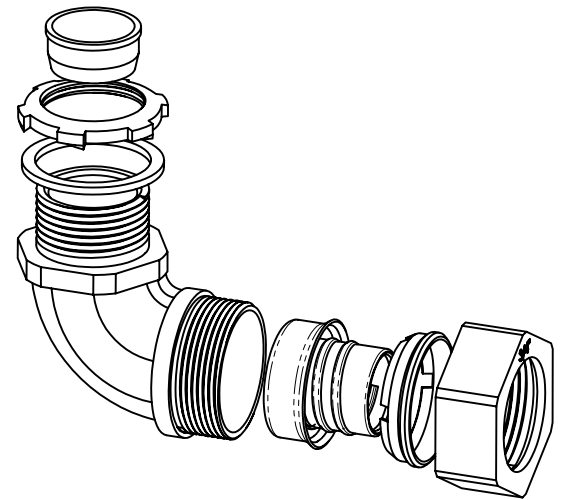
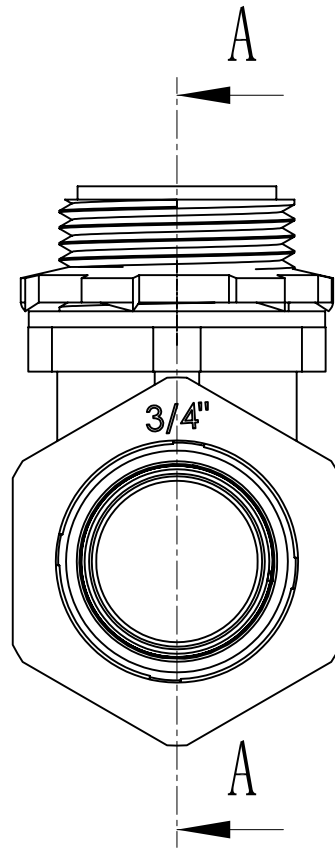


SIDES	BOTTOM
Material: Casting, Zinc Plated	



CUTAWAY VIEW A-A



This data sheet is for reference only .GARVIN INDUSTRIES reserves the right to make changes to the design without prior notice.

DESCRIPTION
TRADE REFERENCE TERMS

STANDARD PACKING
10 PCS

<b>GARVIN INDUSTRIES</b>		
TITLE STRAIGHT CONNECTORS (INSULATED THROAT)		
SIZE A4	DWG NO. LTC-7590	REV
DATA SHEET		