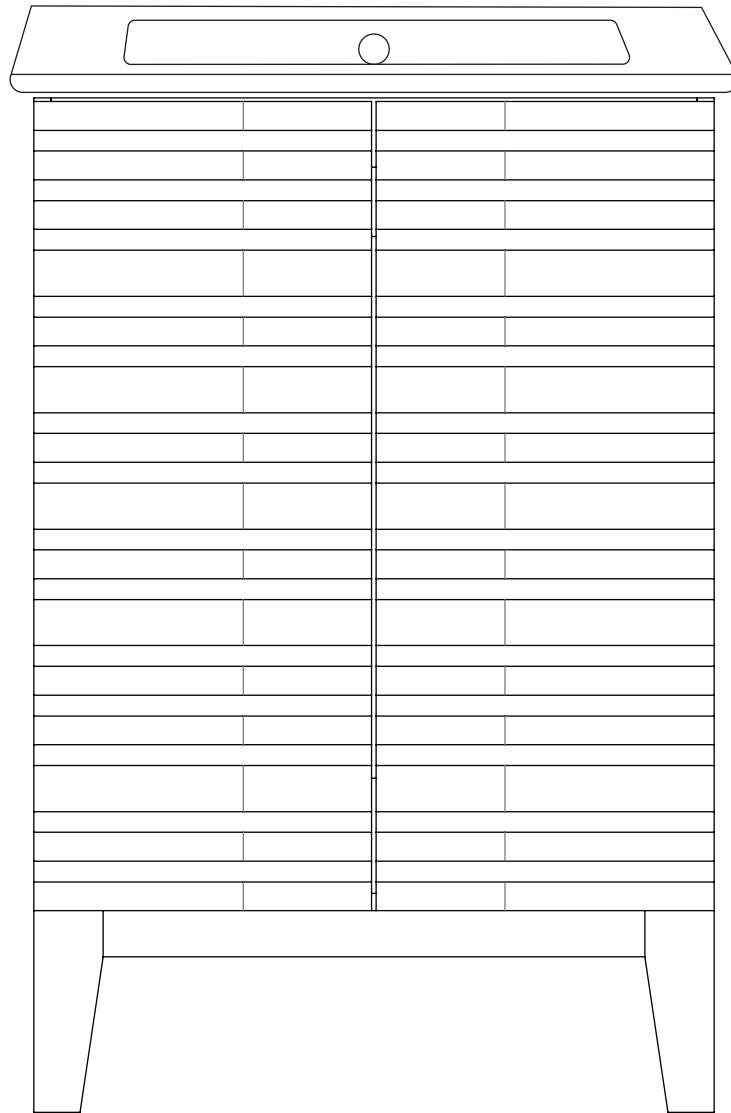


Freestanding Vanity

INSTALLATION INSTRUCTIONS

Swiss Madison®
well made forever



@SwissMadison
#WellMadeForever





PRIOR TO INSTALLATION:

- Inspect product to ensure no damages have occurred while in shipping.
- Observe all plumbing and building codes in accordance with your state and local requirements.
- Floor must be level prior to installation of vanity.
- All dimensions are nominal! Be sure to measure your vanity prior to installation.
- The step-by-step guidelines in the installation instructions are a general reference. Should there be any discrepancies, Swiss Madison cannot be held liable. It is recommended to install all Swiss Madison products by hiring a licensed professional.
- Read installation and maintenance instructions thoroughly before installing. Be sure to use proper tools and always wear proper personal safety accessories for your protection.

If you have any questions or concerns please contact us:
 1-434-623-4766
info@swissmadison.com

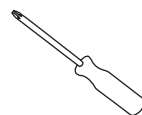
SUGGESTED TOOLS & MATERIALS:



Safety Glasses



Allen Wrench



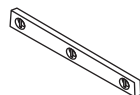
Screwdrivers



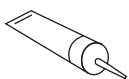
Silicone



Drop Cloth



Level



Adhesive

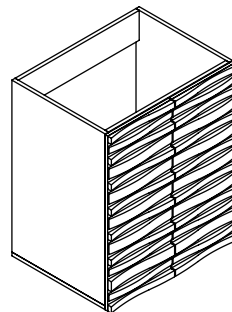


Drill

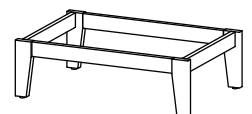


Gloves

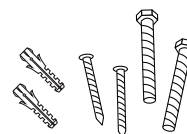
INCLUDED PARTS:



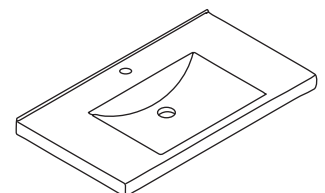
Vanity Base



Leg Apron



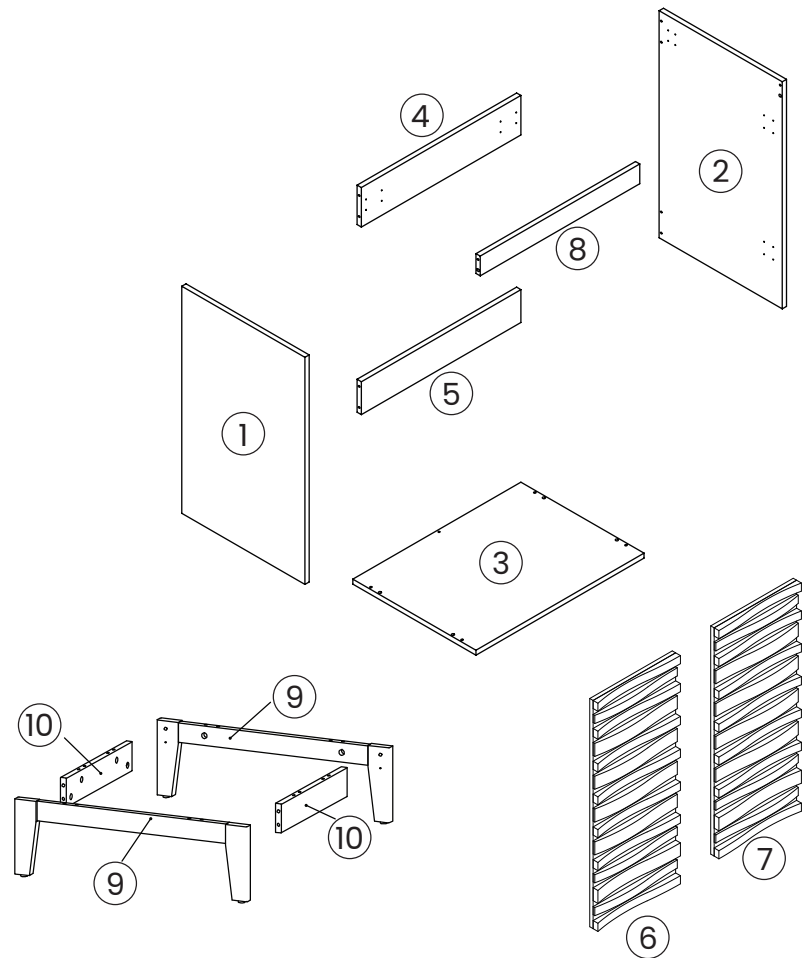
Hardware



Vanity Sink

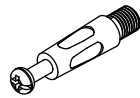
Parts for Reference:

1. Left side panel
2. Right side panel
3. Bottom panel
4. Rear top bar
5. Rear bottom bar
6. Left door
7. Right door
8. Front cross bar
9. Front & Back Leg Apron
10. Leg Apron Side Rail



A

Cam bolt: (x23)+1 spare



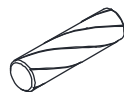
B

Cam lock: (x23) +1 spare



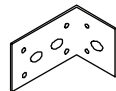
C

Wood dowel: (x18) +1 spare



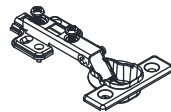
D

Metal bracket: (x2)



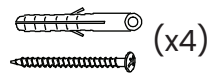
E

Hinge (x4)



F

Screw & plastic anchor (x4)



G

Screw: 4 x 14 mm (x40) +2 spare

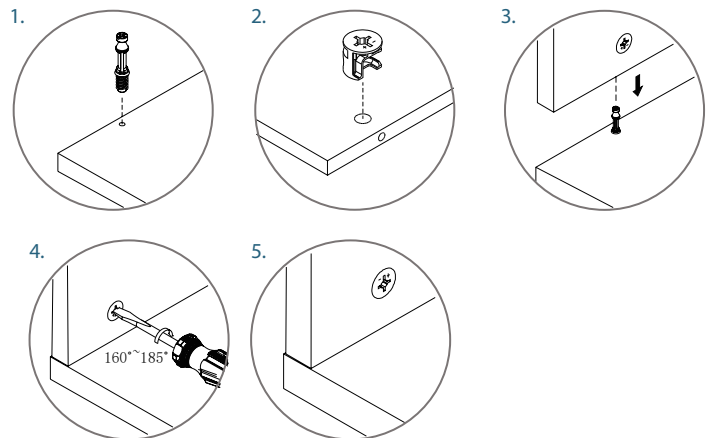


H

Screw: 4 x 35 mm (x4)

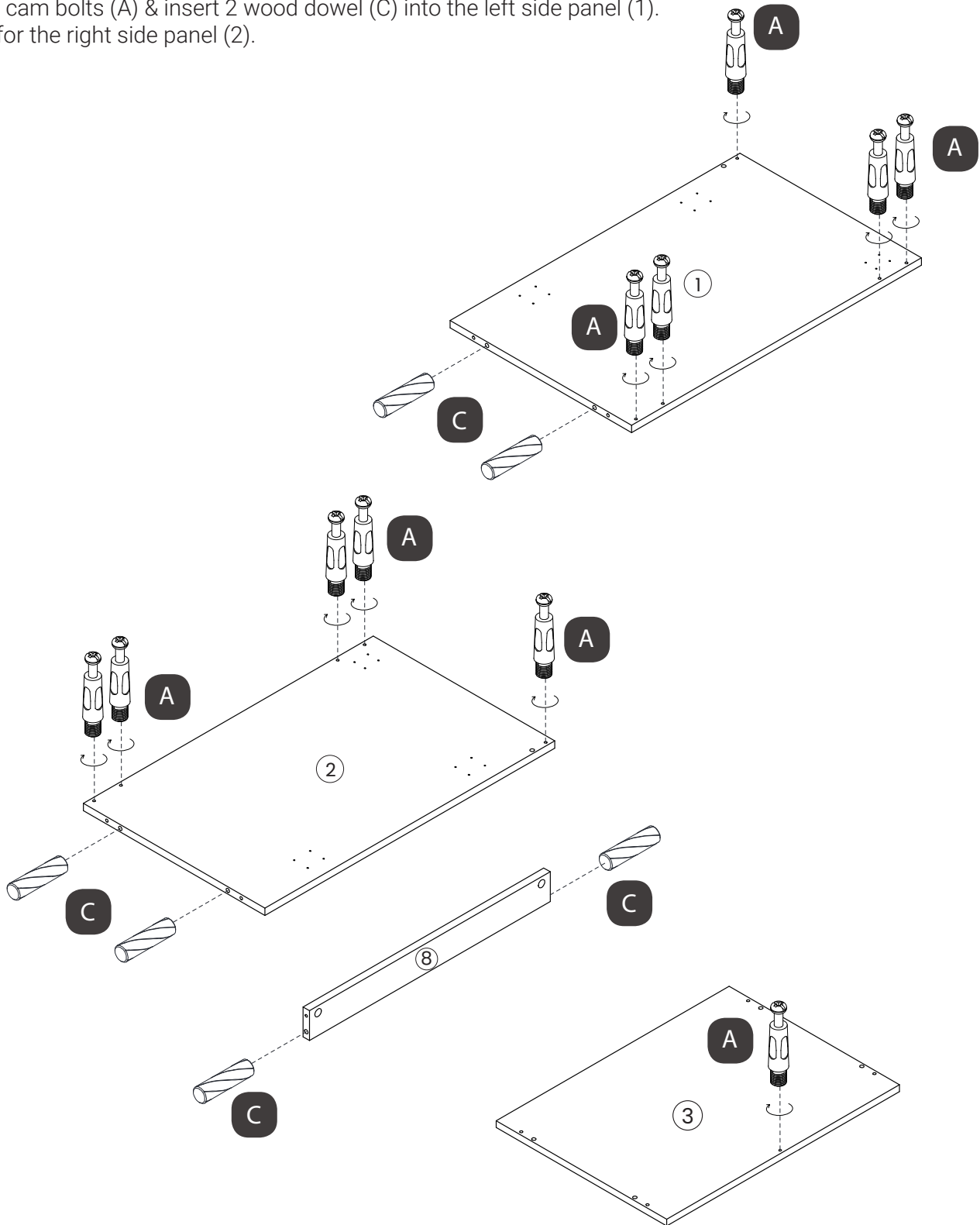


This illustration shows how the cam-fastening system works.



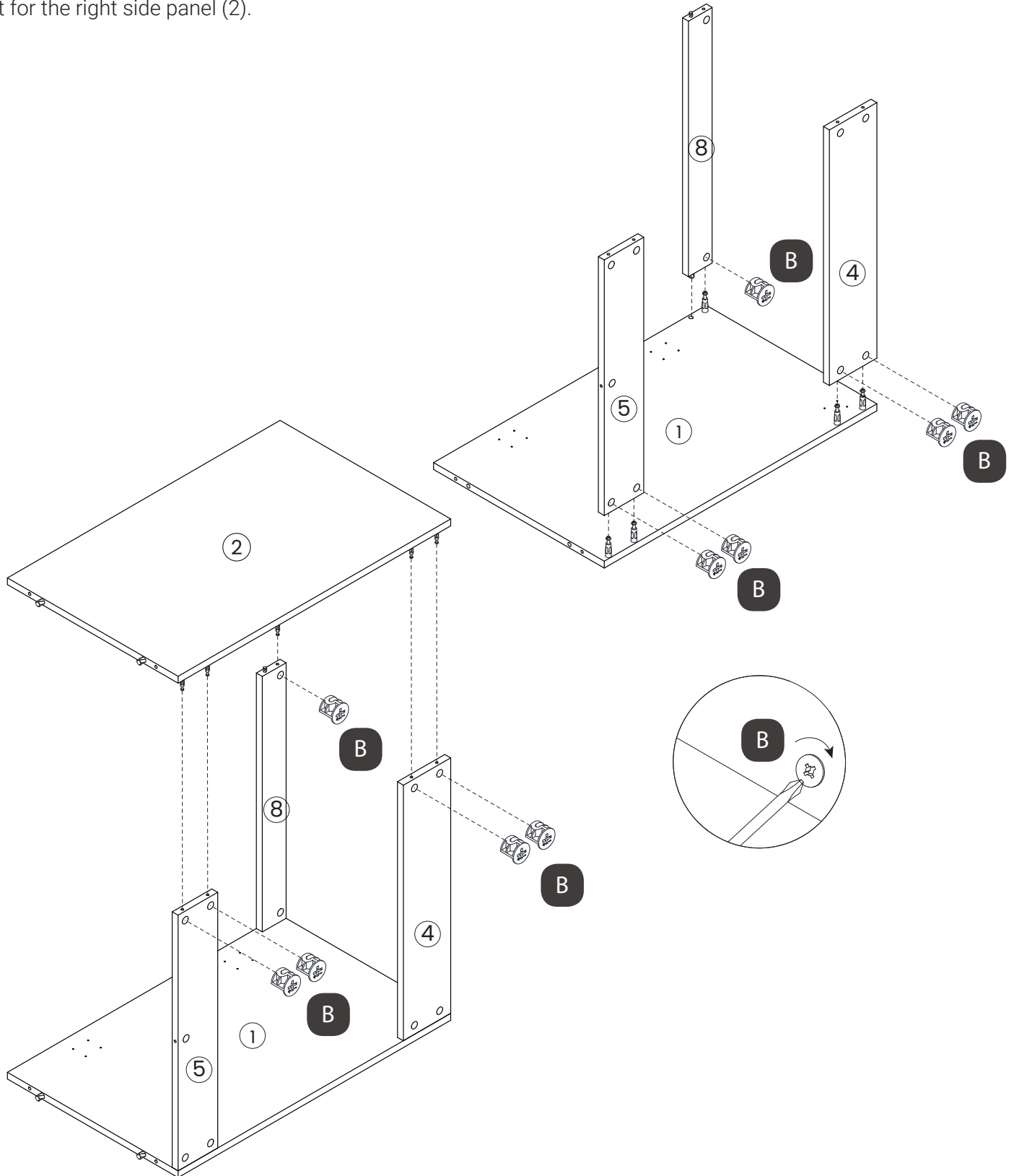
1. Assemble Frame

- Screw 5 cam bolts (A) & insert 2 wood dowel (C) into the left side panel (1). Repeat for the right side panel (2).

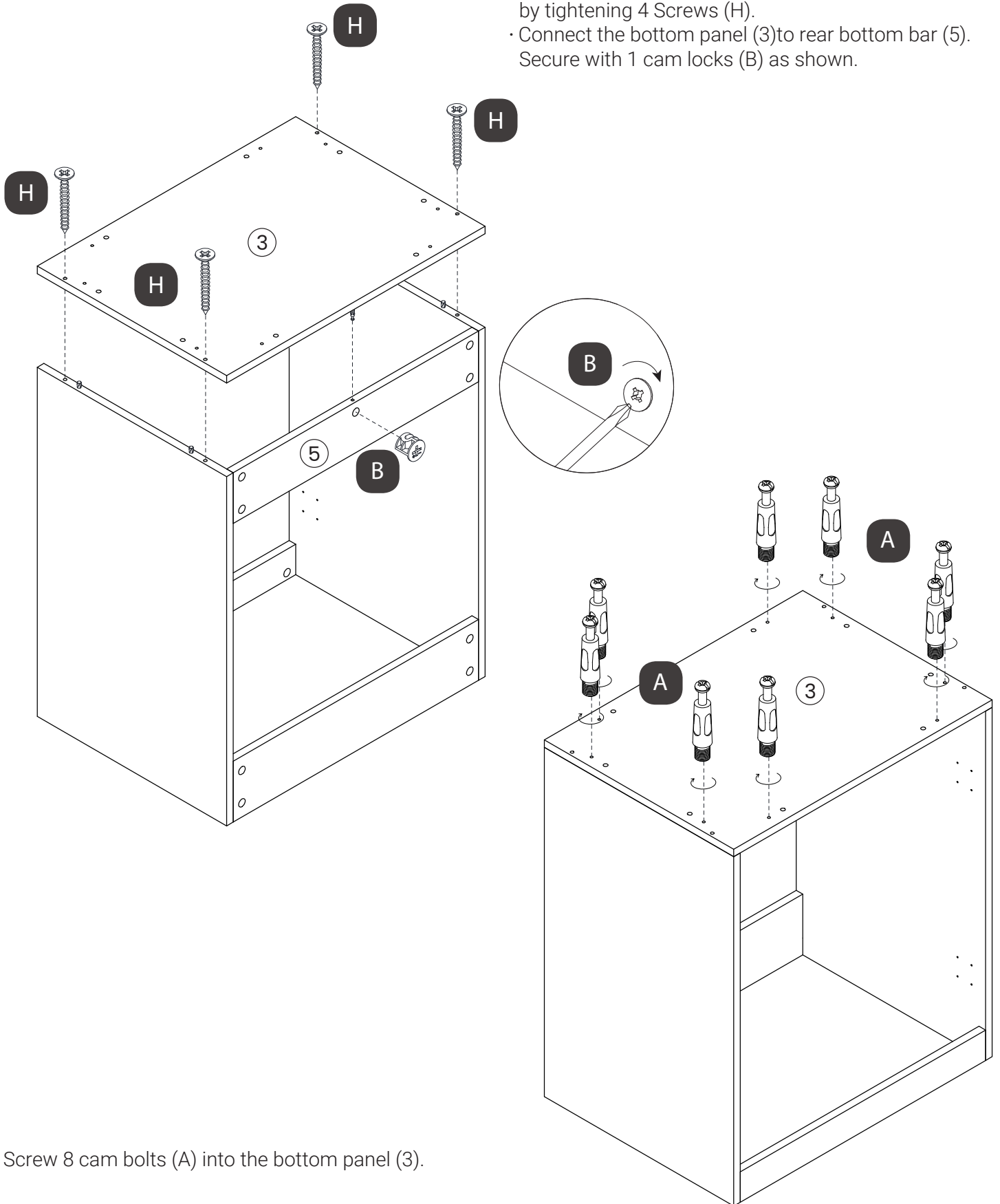


- Insert 2 wood dowels (C) into the dowel holes of the Front cross bar panel (8).
Screw 1 com bolts (A) into the bottom panel (3).

- Use 1 cam lock (B) to lock the front cross bar (8) to the lift side panel (1).
- Use 4 cam lock (B) to lock the Rear top bar (4) & rear bottom bar (5) to the lift side panel (1).
- Repeat for the right side panel (2).



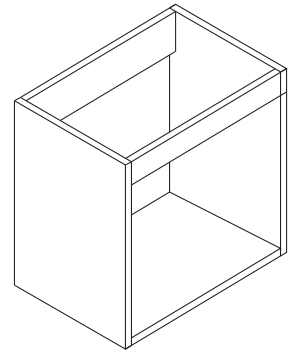
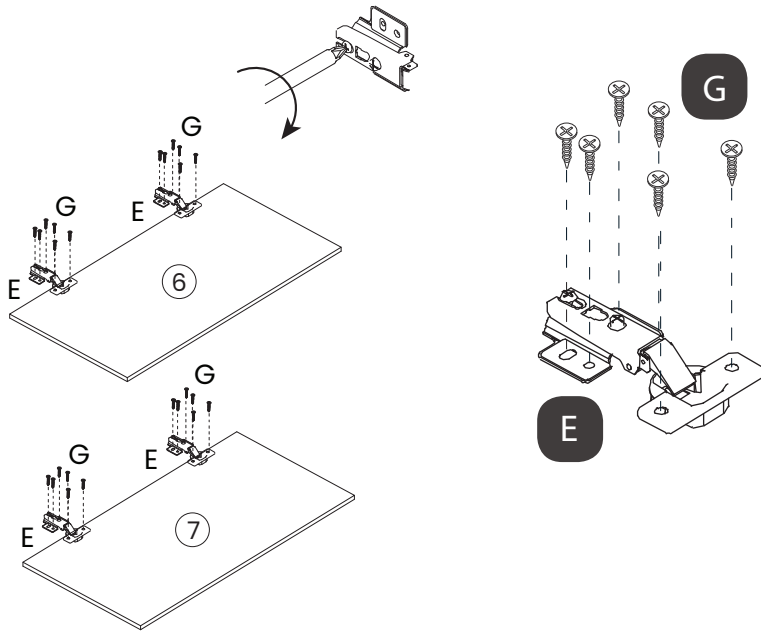
- Carefully align the Bottom Panel (3) pre-drilled holes to the pre-assemble wood dowl on both of the side Panels edges and secure it by tightening 4 Screws (H).
- Connect the bottom panel (3) to rear bottom bar (5). Secure with 1 cam locks (B) as shown.



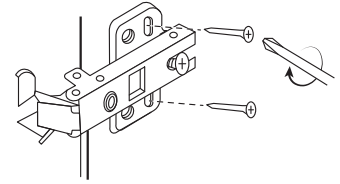
- Screw 8 cam bolts (A) into the bottom panel (3).

2. Attach Doors

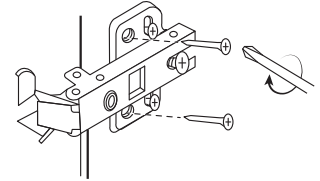
- Use 24 screws (G) to install 2 hinges to the left door (6) and right door (7).



Before adjustments:



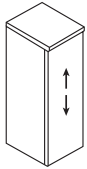
After adjustments:



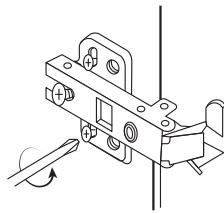
Hinge/Door Adjustment and Realignment

- If adjustment or realignment is needed, follow the instructions provided in the following chart.

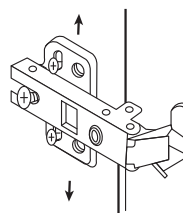
Vertical adjustment



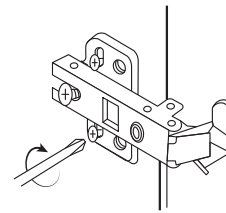
1. Loosen screws



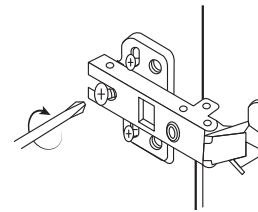
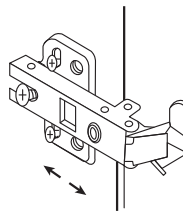
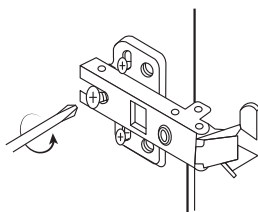
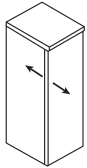
2. Adjust hinge



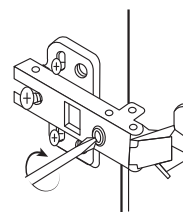
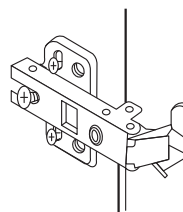
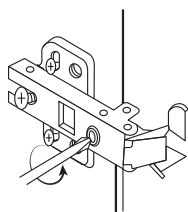
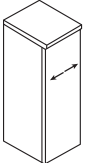
3. Tighten screws

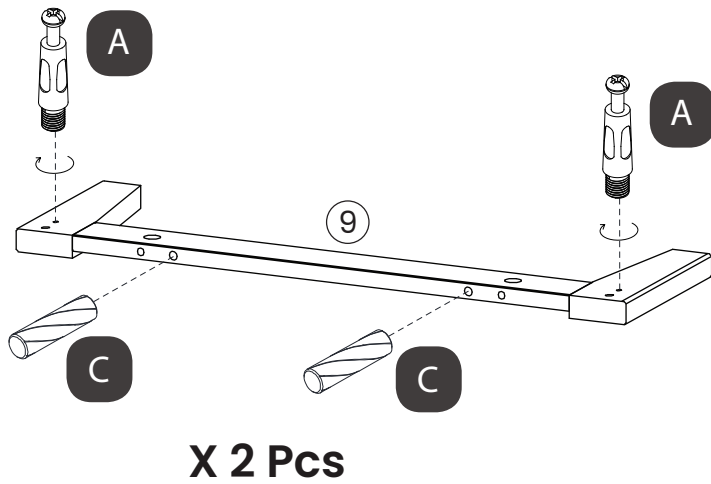


Horizontal adjustment



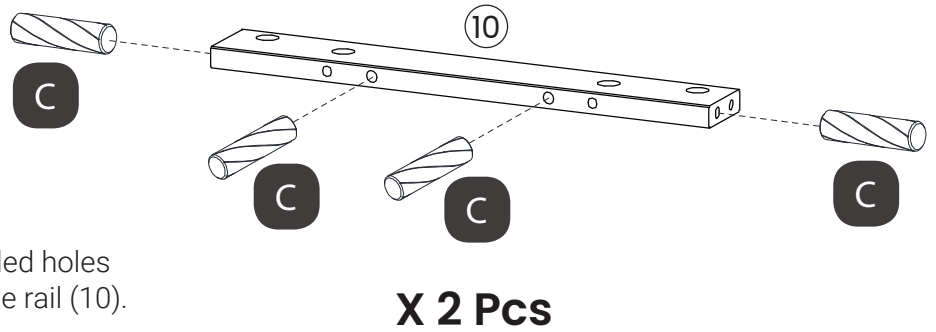
Door gap adjustment



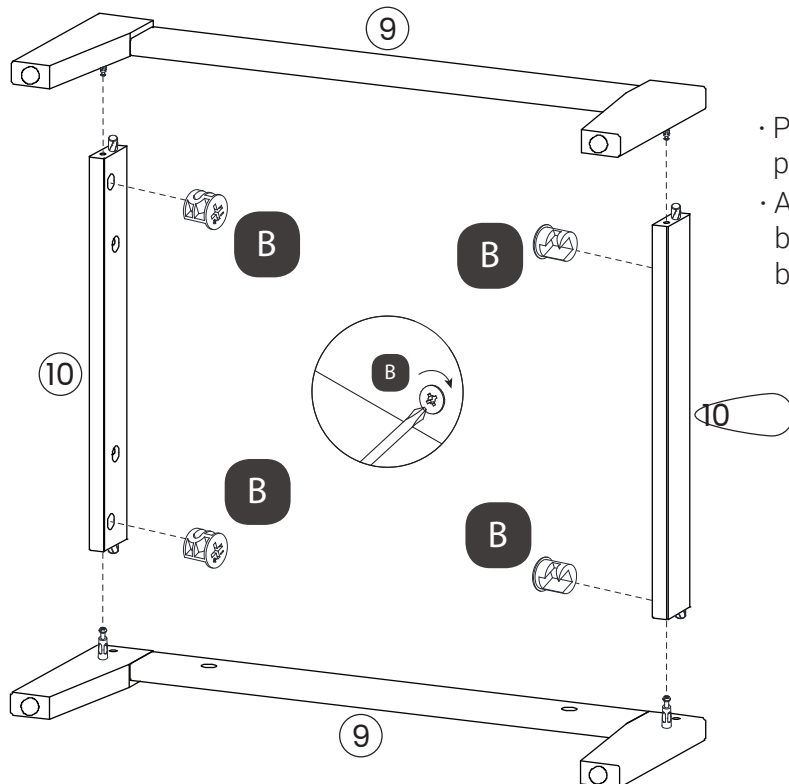


3. Assemble the Leg Apron

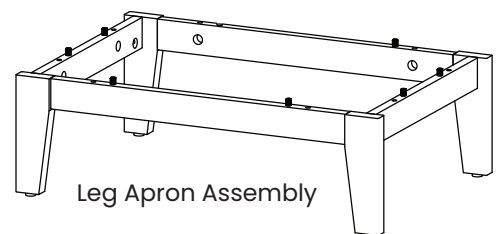
- Lay flat both leg aprons (9), Properly insert and slowly screw in the Cambolt(A) to the lower portion of the pre-drilled holes at both ends of the Leg Apron. Insert 2 wooden dowels (C) to the pre-drilled holes at the top of front and back leg aprons (9).



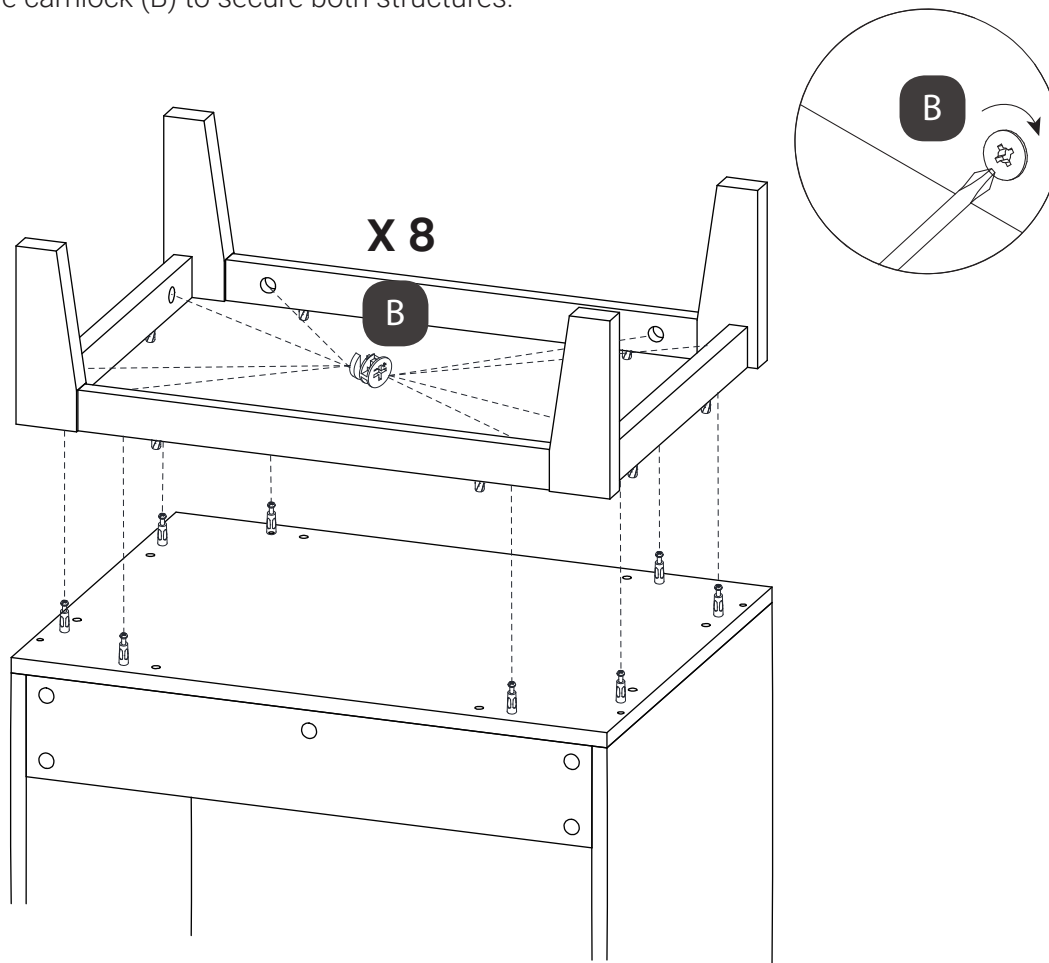
- Insert 4 wooden dowels (C) to the pre-drilled holes on the ends and top edges of each leg side rail (10).



- Place 4 cam locks (B) to the designated pre-drilled holes on the side rails (10).
- Align the leg rails (10) with the front and back leg aprons (9) and secure all sides by tightening the 4 cam locks (B).

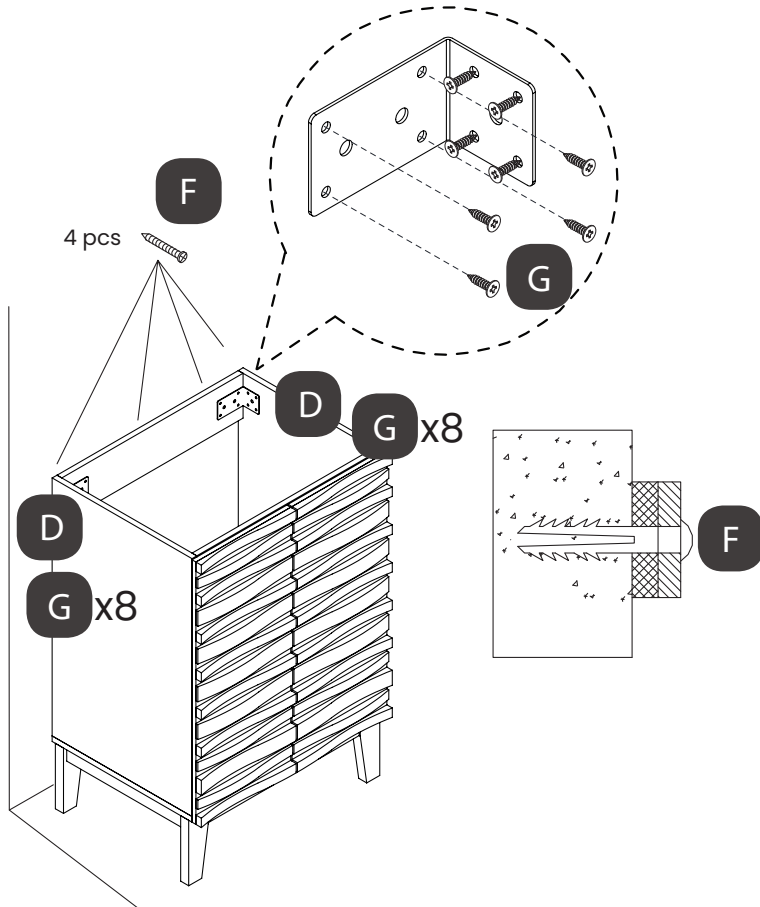


- Carefully place the Leg Apron assembly to the cabinet structure and tighten the camlock (B) to secure both structures.



4. Secure Vanity to Wall

- Attach the 2 metal brackets (D) to the cabinet body using 16 screws (G) as shown.
- Mark desired mounting location on wall and ensure placement is level.
- Select installation option from below.



Option 1: Securing to Drywall

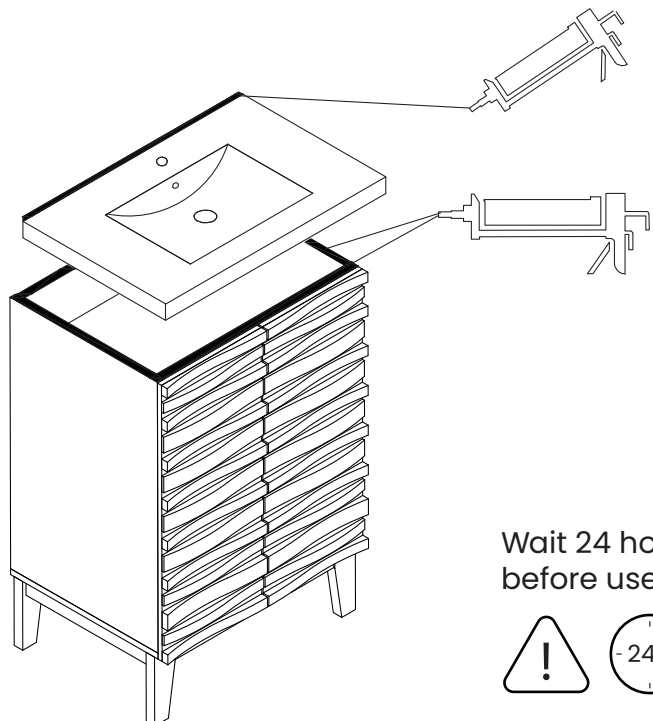
- Position cabinet against wall in desired location.
- Using a pencil, make a mark on the wall through the holes in each bracket (D).
- Move cabinet away from the wall. Create a pilot hole in each mark on the wall, then insert the plastic anchor (F).
- Place cabinet against the wall, insert a screw (F) through the metal bracket (D) into each hole in the wall, then tighten to plastic anchors (F) to secure the vanity.

Option 2: Securing to Drywall & Wood Stud

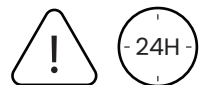
- Position cabinet against wall in desired location, be sure desired mounting location aligns with existing wood studs.
- Insert screw (F) through the holes in the metal bracket (D), then tighten through the drywall into the wood stud. Repeat this step for the other metal bracket (D) to secure the vanity.

5. Vanity Top Installation

- Install faucet and drain according to manufacturer's installation instructions. Do not overtighten, this may cause the sink to crack.
- Set the vanity top on top of the vanity base, checking the location of the p-trap and drain.
- Remove vanity top from vanity base. Apply a thin bead of silicone around the vanity base and set the vanity top carefully in place.
- Remove excess silicone with a wet cloth.



Wait 24 hours before use.



ONE YEAR LIMITED WARRANTY

Swiss Madison® products are made with quality materials and excellent craftsmanship to provide our customers with beautiful, durable, long-lasting products. Should there be any defects in materials or craftsmanship under regular use that are discovered within the first year of installation, Swiss Madison® will provide replacement parts at no charge, or at its discretion, replace any product or part of the product that is deemed defective, under normal installation, use, service or maintenance. This warranty applies only to the original purchaser. Proof of purchase will be required in the instance of a claim.

Swiss Madison® recommends all installations of Swiss Madison® products to be conducted by a licensed, professional plumber or contractor. Swiss Madison® will not be held responsible for any damage or product failure due to improper installation, misuse, or failure to utilize a licensed professional for installation. Swiss Madison® is not responsible for any installation or removal costs.

This One Year Limited Warranty Will Be Voided If:


- The installation recommendations were not followed by the installer
- The product has been moved from its initial place of installation
- The product has in any way been modified from its packaged state
- The product has been subjected to improper maintenance, abuse, misuse, excessive use of chemicals, accidents, or other damages, etc.

Swiss Madison® makes no implication that its products comply with any local building or plumbing codes. It is the consumer's responsibility and obligation to determine local code compliance prior to and during installation. This warranty extends only to the original purchaser and first consumer.

Swiss Madison® is not responsible for any special, incidental or consequential damages associated with the installation, replacement, return or use of the original purchaser's product. This includes, but is not limited to: freight costs, labor, travel time, lost profit, home damages and other contingent liabilities and costs (including, without limitation, costs associated with 'professionals' or 'experts', investigations, audits, analyses, attorneys and any other professional/hired services).

The Swiss Madison® warranty is a comprehensive and explicit limit of liability. All items not disclosed within the warranty are not addressable within the responsibility of Swiss Madison®. Certain states have variances regarding implied warranties; in those situations, we remain fully compliant.

**If you have any questions or concerns, please contact us directly at
1-434-MADISON (623-4766)**

 **WARNING:** Contents of your order may contain sharp and possibly other harmful pieces and may cause hazard to children and adults. Swiss Madison® is not responsible in any way for personal damages.