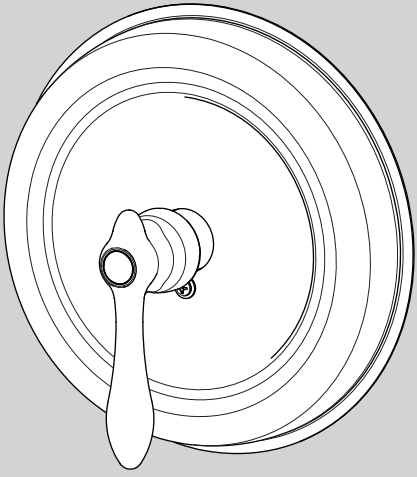


## INSTRUCTIONS FOR MODELS

### CPT-3000



#### NEED HELP?

For additional assistance or service please contact:

**SPEAKMAN**® Company  
400 Anchor Mill Road  
New Castle, DE 19720

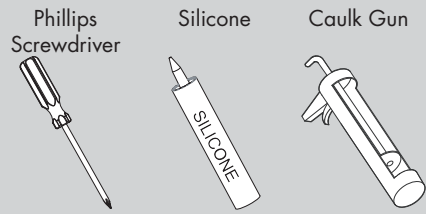
800-537-2107

customerservice@speakman.com

www.speakman.com

92-CPT-3000-R2

## TOOLS AND SUPPLIES



## IMPORTANT

- Do not over-tighten any connections or damage may occur.
- Be sure to read instructions thoroughly before beginning installation.
- This valve has an operating range of 20-80 psi.

## SAFETY TIPS

Cover your drain to prevent loss of parts. Be sure to wear eye protection while cutting pipe.

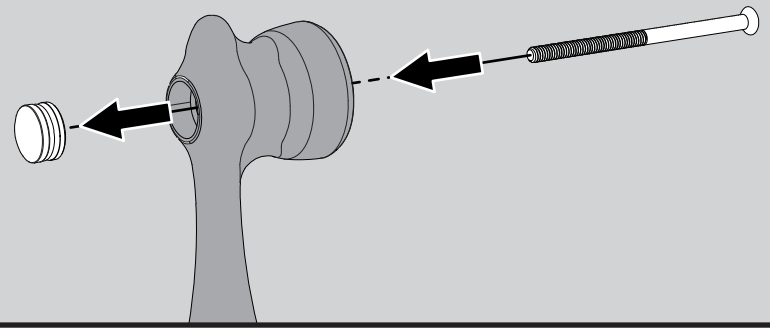
## MAINTENANCE

Your new Speakman Product is designed for years of trouble-free performance. Keep it looking new by cleaning it periodically with a soft cloth. The use of harsh chemicals and abrasives on any of the Speakman custom finish products may damage the finish and void the product warranty. Please be sure to only use approved cleaners. Please contact Speakman for any clarification of acceptable cleaners.

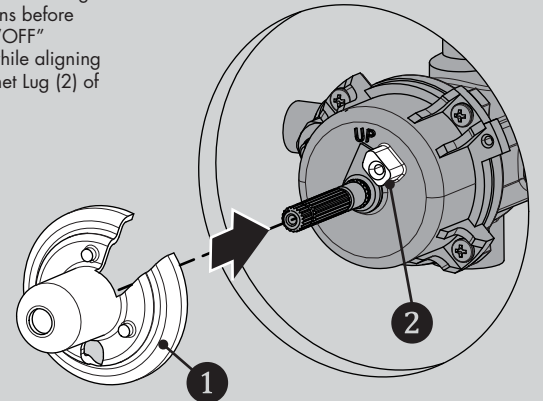
## WARRANTY

Additional warranty information can be found at: [www.speakman.com](http://www.speakman.com)

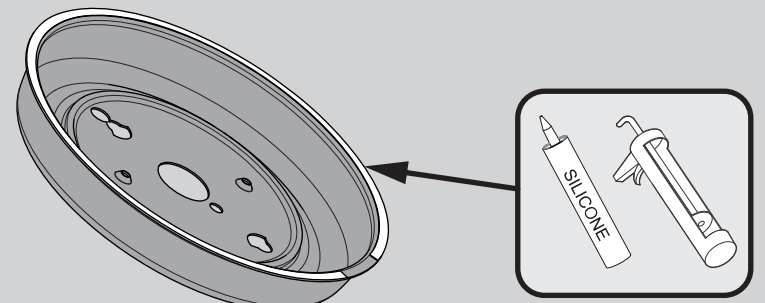
**1** Remove the Handle Button Screw by inserting one of the included Mounting Screws thru the hole in the Handle.



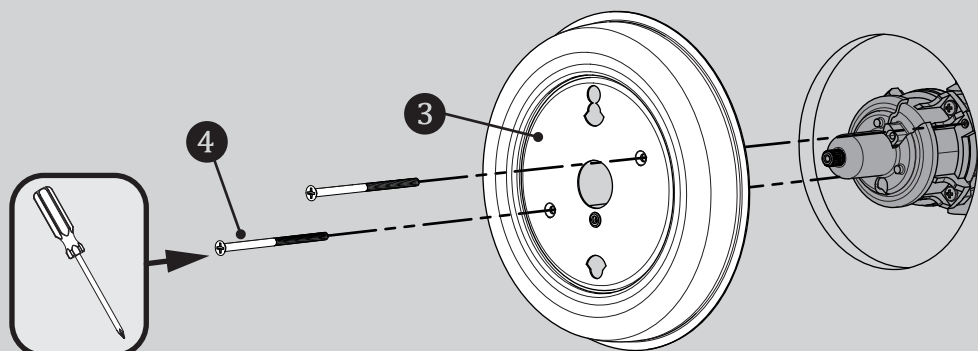
**2** Be sure to have properly adjusted the Temperature Limiting Stop (TLS) as per the Valve Installation Instructions before installing Valve Trim. Ensure the Valve is in the "OFF" position. Install Trim Sleeve (1) onto the valve while aligning the window of the Trim Sleeve (1) with the Bonnet Lug (2) of the Valve.



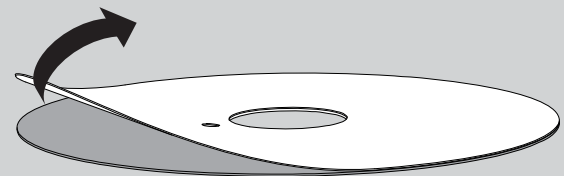
**3** Clean wall surface. Orient Wall Plate as shown below. Apply clear silicone sealant to the backside outer flat surface of the wall plate, while leaving a small area open at the bottom. This will allow for any moisture to drain.



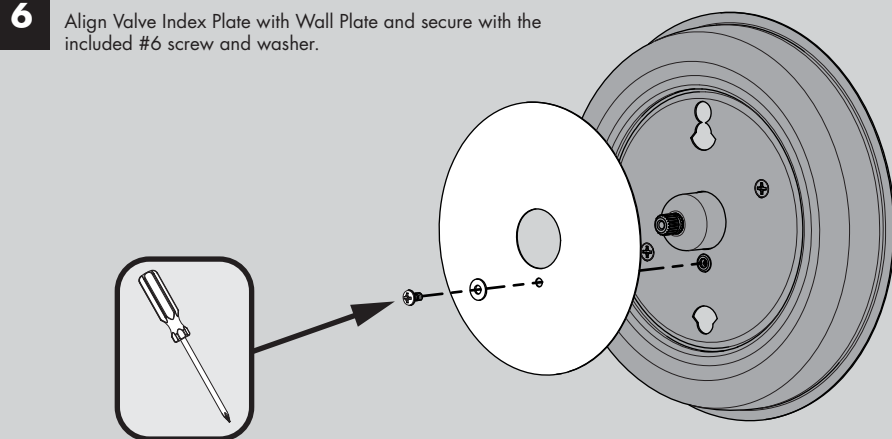
**4** Align the Wall Plate (3) as shown below. Secure to Valve with the included Mounting Screws (4). Take care to not over tighten Mounting Screws. Remove excess sealant after securing Wall Plate to wall.



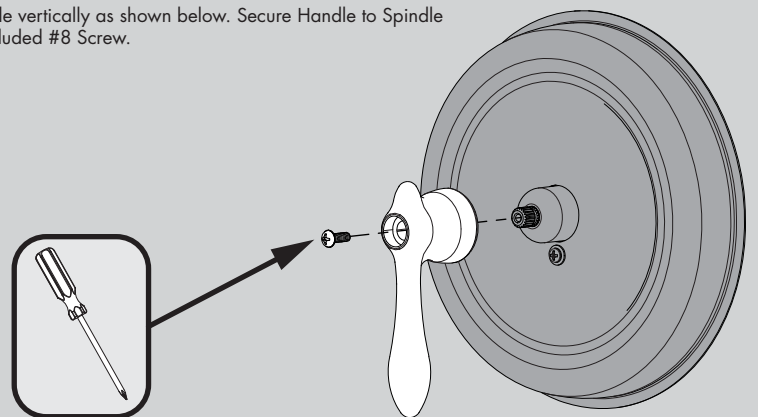
**5** Remove protective film from Valve Index Plate.



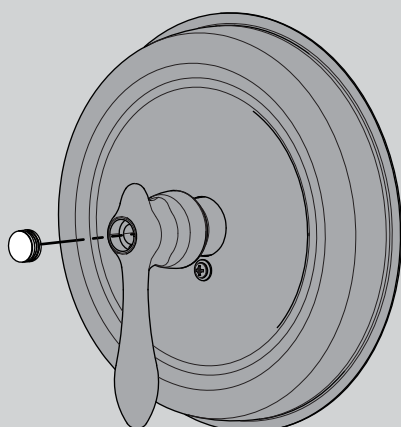
**6** Align Valve Index Plate with Wall Plate and secure with the included #6 screw and washer.

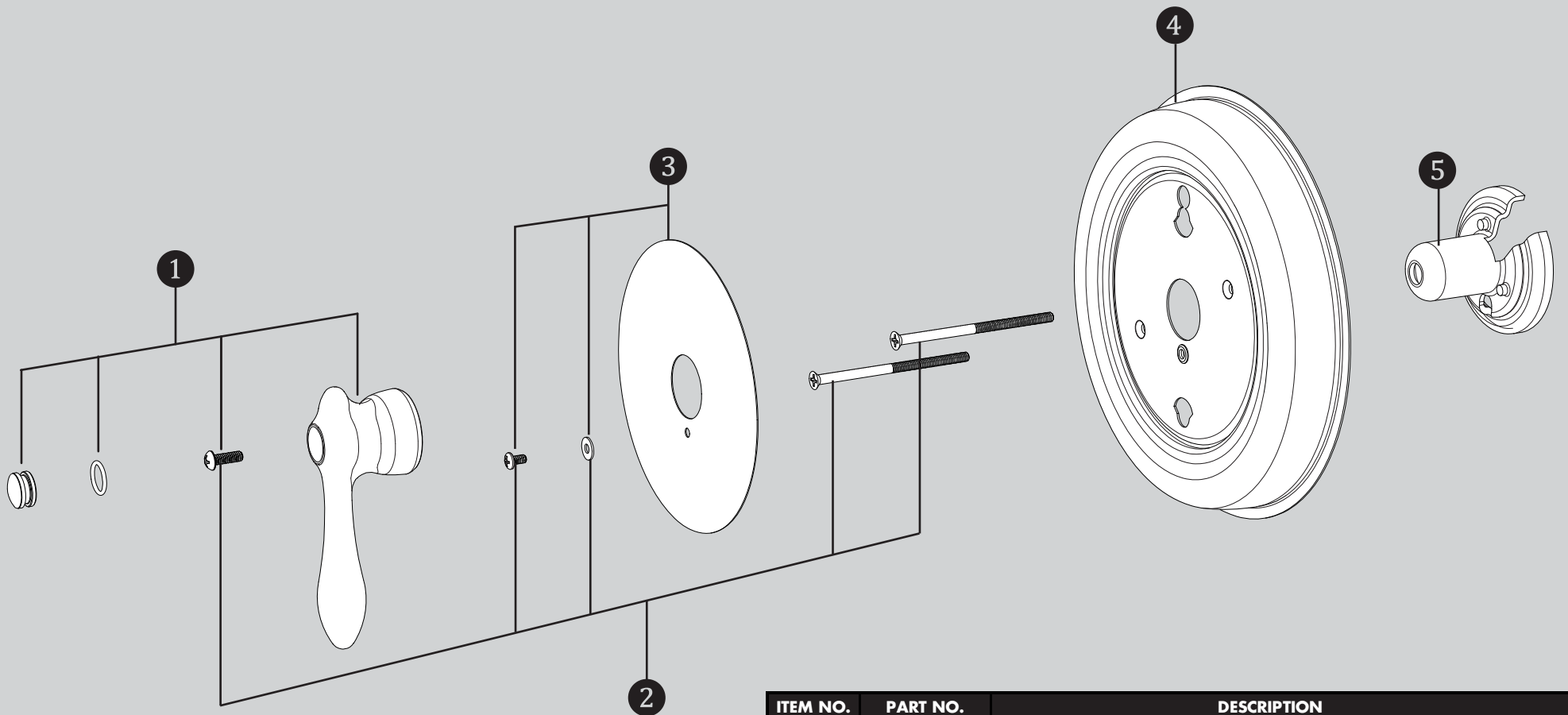


**7** Align Handle vertically as shown below. Secure Handle to Spindle with the included #8 Screw.



**8** Insert Handle Button into the Handle





ITEM NO.	PART NO.	DESCRIPTION
1	RPG04-0381-PC	HANDLE ASSEMBLY
2	RPG48-0035	MOUNTING HARDWARE
3	RPG41-0108	INDEX PLATE
4	RPG10-0082	WALL PLATE
5	RPG05-0832-PC	SPINDLE SLEEVE

CPT-3000 ROUGH-IN DIAGRAM

