

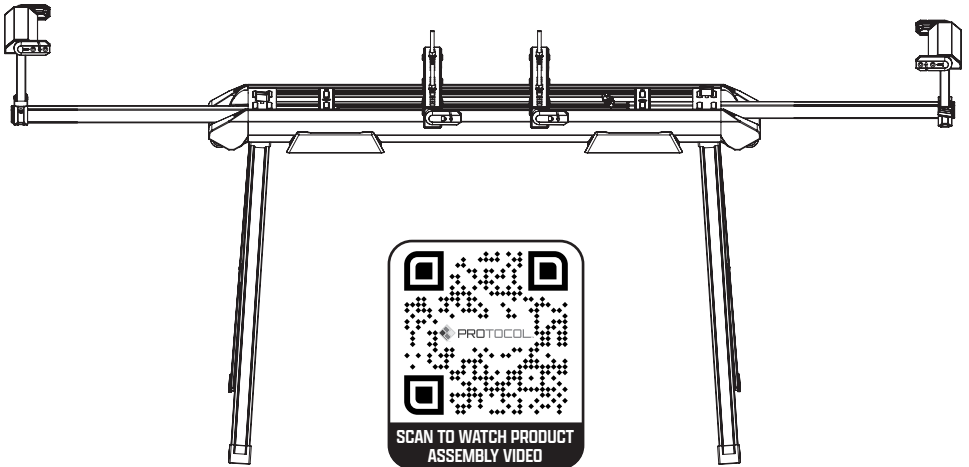


PROTOCOL™

CUT80

80" / 500 LB CAPACITY LIGHTWEIGHT ALUMINUM MITER SAW STAND

PRODUCT MANUAL



⚠ CAUTION: To reduce the risk of injury, user must read and understand this product manual. Save these instructions for future reference.

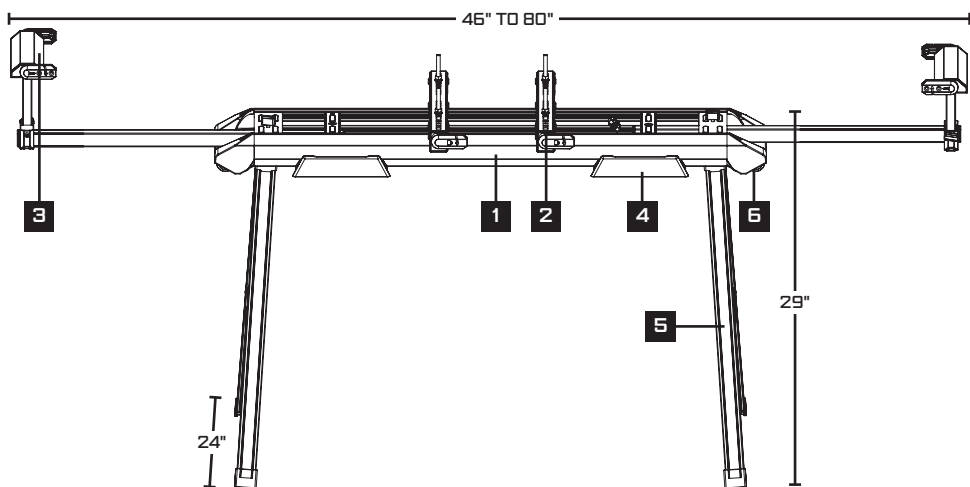
PROTOCOLEQUIPMENT.COM

TABLE OF CONTENTS

Features and Specifications	3
Preparing the Stand.....	4-5
Installing Paddle Knobs for Arm Extensions	6
Installing Adjustable Material Supports	7-8
How to Operate Adjustable Material Supports	9
Installing the Tool Holders / Handles	10-11
Attaching Slim Profile Tool Mounts to Your Miter Saw	12-16
Mounting Miter Saw Assembly to the Stand.....	17-18
Removing Miter Saw Assembly from the Stand	19
Transporting and Storing the Miter Saw Stand	20-21
Safety and Warnings.....	22
General Maintenance.....	22
Warranty	23

⚠ WARNING: Be sure to read and understand all safety instructions in this manual, including all safety alert symbols such as "DANGER", "WARNING", "CAUTION", and "IMPORTANT" before using this product. Failure to follow all instructions listed in the manual may result in electric shock, fire and/or serious personal injury.

FEATURES AND SPECIFICATIONS



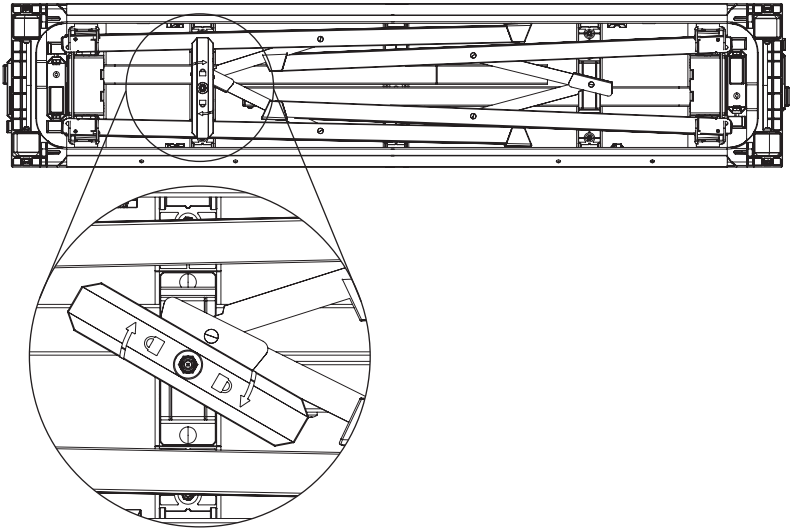
SPECIFICATIONS

HEIGHT	29"
WIDTH	46" - 80"
DEPTH	24"
MAX WEIGHT CAPACITY	500 lb.
MATERIAL	Aluminum, Steel, Nylon
PRODUCT WEIGHT	27.1 lb.

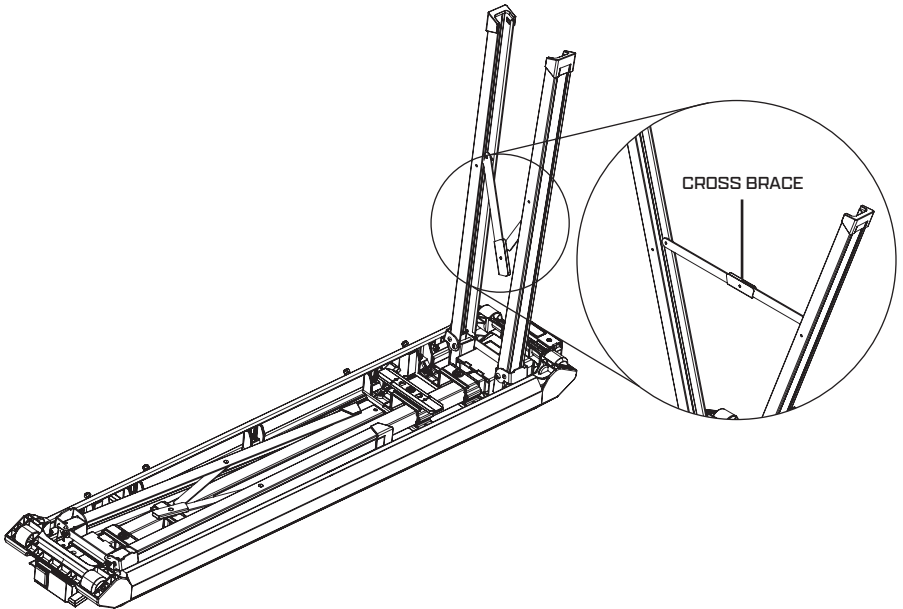
INCLUDED FEATURES

1	Aluminum chassis with extendable support arms
2	(2) Slim profile mounting brackets
3	(2) Adjustable material supports with bumper guides
4	(2) Tool holders / handles
5	Folding legs with non-marring feet
6	Double-ended handles with built-in wheels

PREPARING THE STAND

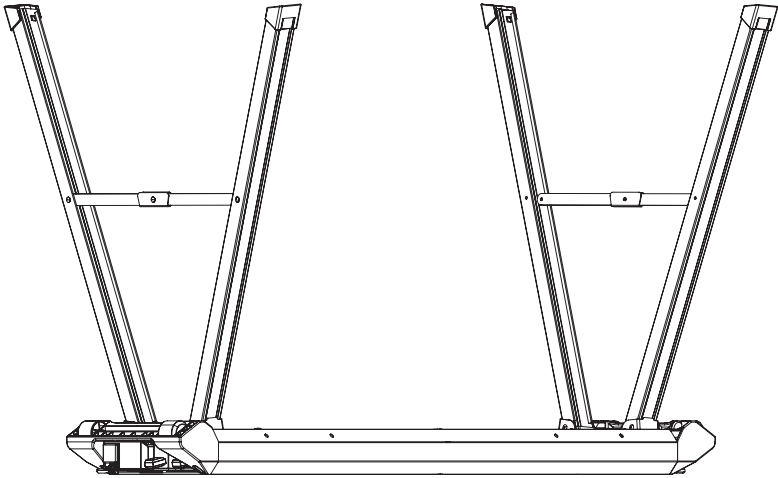


1. Place the stand on a flat and level surface with folded legs facing up.
2. Turn leg lock handle counterclockwise and unfold first set of legs from chassis.

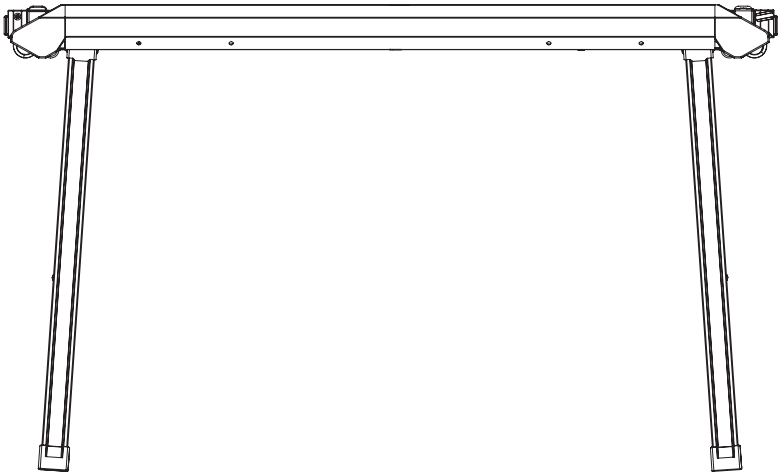


3. Deploy first set of legs. Make sure cross brace is secured in place to ensure legs are fully opened.
4. Unfold second set of legs and follow step #3.

PREPARING THE STAND

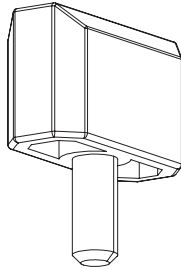


5. After both sets of legs are deployed, lift the stand in an upright position.



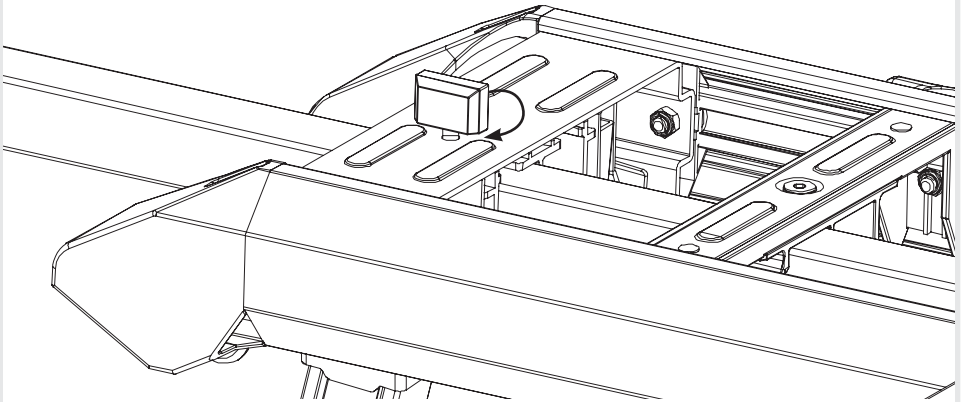
6. Ensure sawhorse is stable and both sets of legs are fully opened.

INSTALLING PADDLE KNOBS FOR ARM EXTENSIONS



Paddle Knob x 2

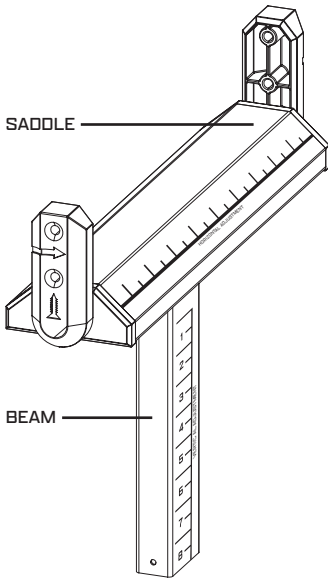
NOTE: These paddle knobs are used to adjust and secure length of arm extensions. Install paddle knobs prior to material support installation.



1. Insert paddle knob into pre-drilled hole located on top of chassis.
2. Turn paddle knob to tighten it.
3. Repeat steps #1 and #2 to install second paddle knob on other end of chassis.
4. Use paddle knobs to adjust and secure length of arm extensions.

INSTALLING ADJUSTABLE MATERIAL SUPPORTS

Tools Required: PH1 screwdriver (not included)



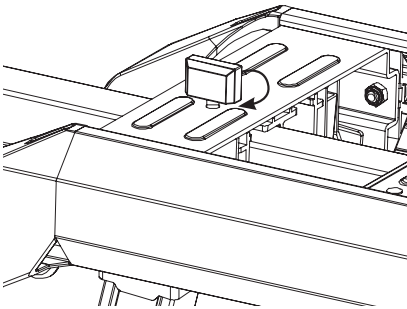
Material Support x 2



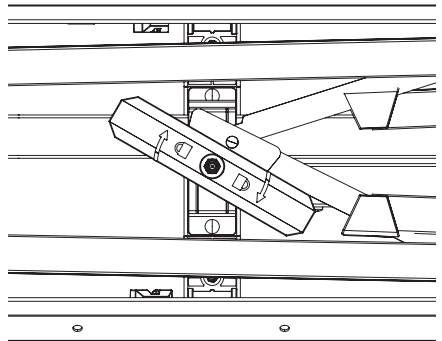
Locking Screw x 2

IMPORTANT: Make sure tick marks on saddle and beam are on the same side.

NOTE:

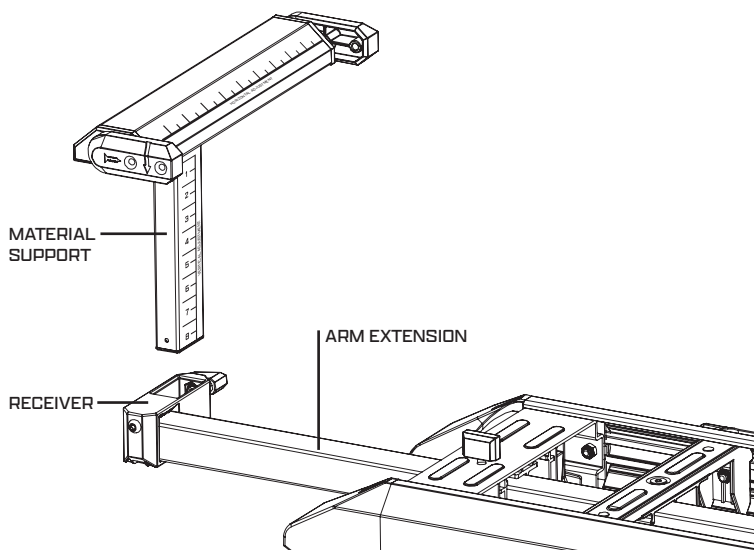


Use paddle knobs located on top of the chassis to adjust and secure arm extensions.

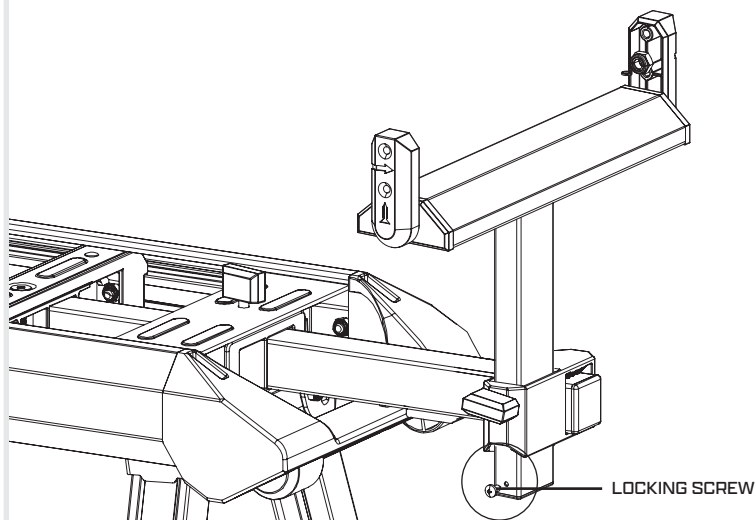


Ensure leg lock is unlocked. The leg lock located underneath chassis also keeps arm extensions collapsed inside.

INSTALLING ADJUSTABLE MATERIAL SUPPORTS

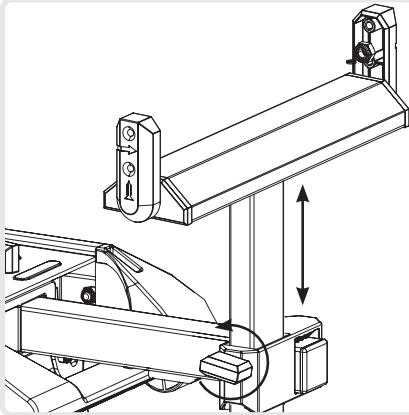


1. Pull out one of the arm extensions.
2. Slide material support into receiver.
3. Ensure material support is inserted correctly with tick marks on both saddle and beam facing inward, toward chassis.

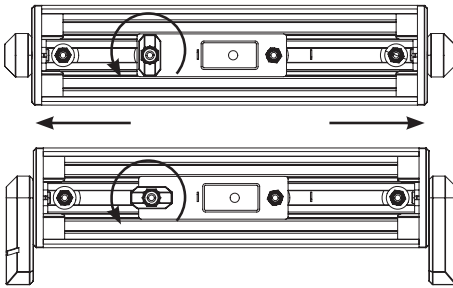


4. Use PH1 screwdriver to secure locking screw into beam hole.
5. Repeat steps #1 through #4 to install second material support to other arm extension.

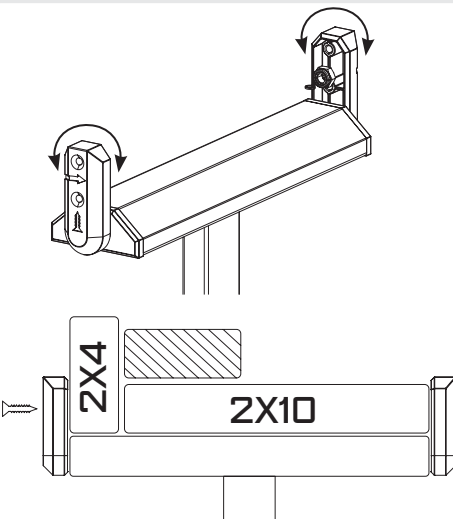
HOW TO OPERATE ADJUSTABLE MATERIAL SUPPORTS



- 1. VERTICAL ADJUSTMENT:**
Turn paddle knobs located on receivers to adjust height of material supports.



- 2. HORIZONTAL ADJUSTMENT:**
Ensure material support is raised from receiver. Turn paddle knobs located underneath saddle to adjust saddle from side to side.

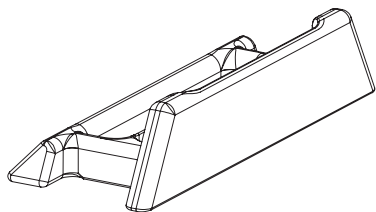


- 3. BUMPER GUIDES:**
Each material support is fit with a pair of rotating bumper guides that prevent stock from sliding off saddle.

Holes on each bumper guide can be used to attach material to create a fence or work bed.

INSTALLING THE TOOL HOLDERS / HANDLES

Tools Required: 4 mm hex key (not included)



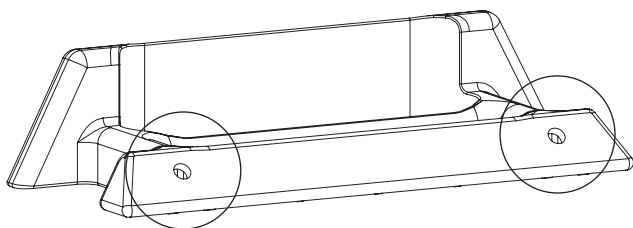
Tool Holder / Handle x 2



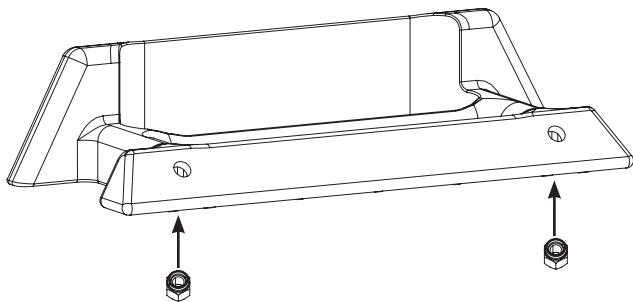
Counter Sunk Screw x 4



Nylon Nut x 4

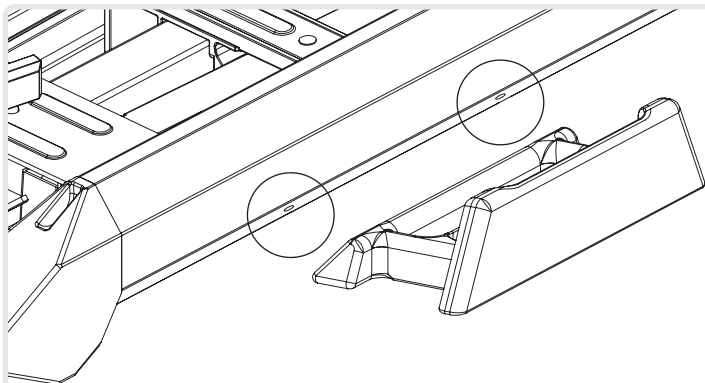


1. Locate holes at the bottom of the tool holder.

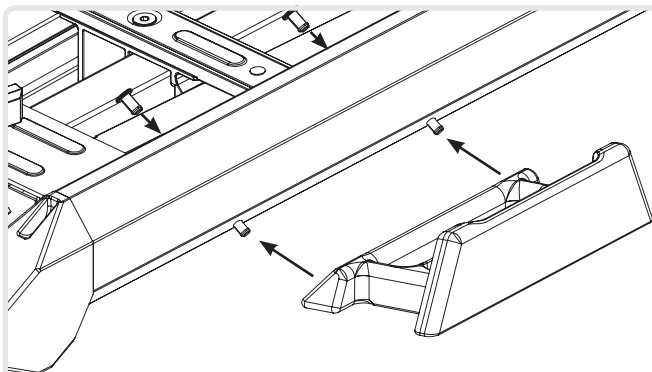


2. Place one nylon nut underneath holder and align nut to hole.

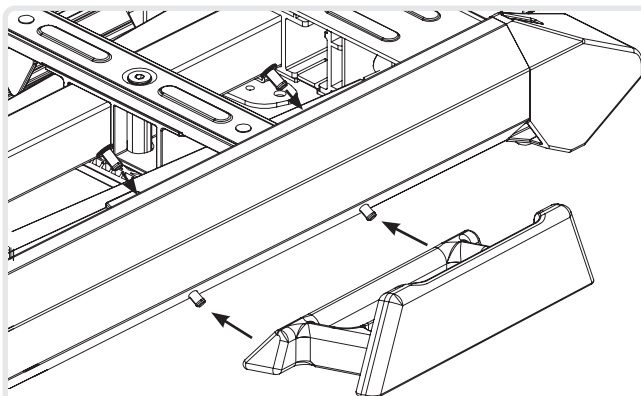
INSTALLING THE TOOL HOLDERS / HANDLES



3. Find corresponding hole on chassis.



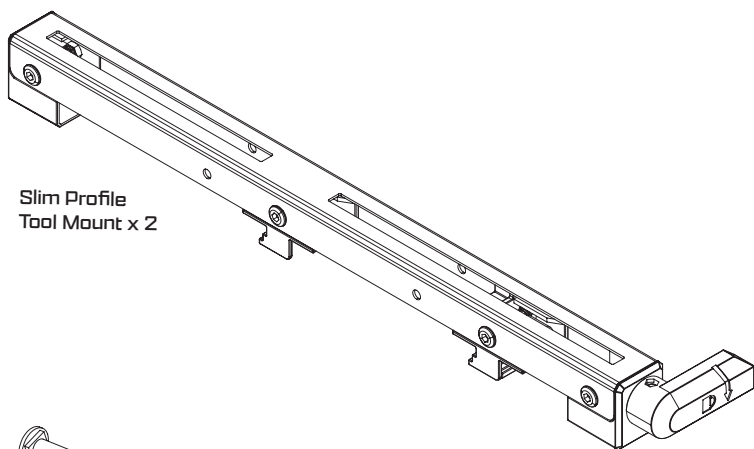
4. Insert screw from interior side of chassis.
5. Use a 4 mm hex key to attach tool holder to chassis.
6. Repeat steps #2 through #5 to secure other end of tool holder.



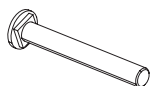
7. Repeat steps #1 through #6 to attach second tool holder to chassis.

ATTACHING SLIM PROFILE TOOL MOUNTS TO YOUR MITER SAW

Tools Required: 4 mm hex key (not included)



Slim Profile
Tool Mount x 2



Carriage Bolt x 4



O-ring x 4



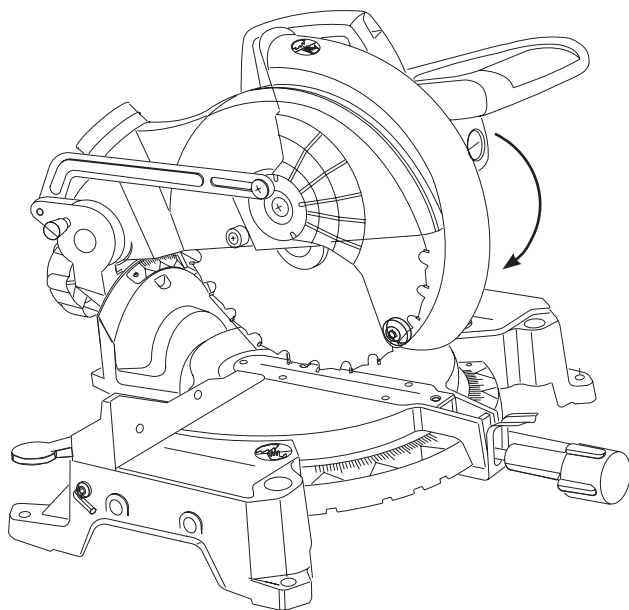
Flat Washer x 4



Spring Washer x 4

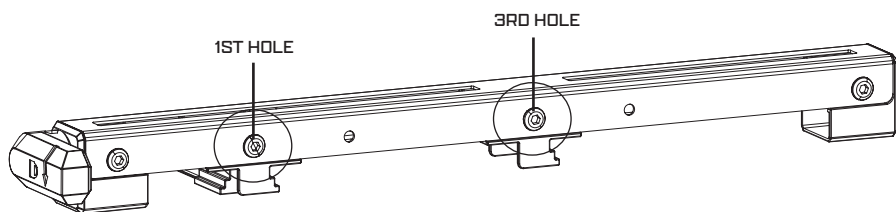


MB Nut x 4

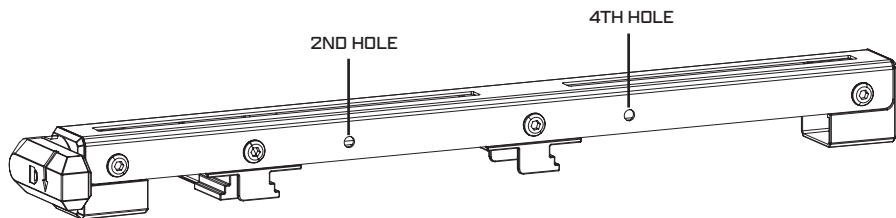


1. Make sure your miter saw is unplugged and saw arm is locked in the down position.
2. Place miter saw on a flat, stable surface.

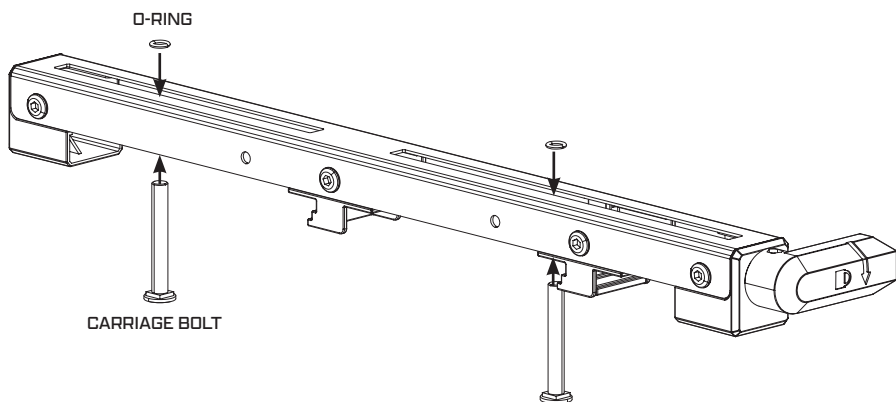
ATTACHING SLIM PROFILE TOOL MOUNTS TO YOUR MITER SAW



3. **FOR OVERHANG MOUNTING:** Tool mounts are pre-installed for overhang mounting. Stair steps should already be installed in first and third holes starting from tool mount handle side.

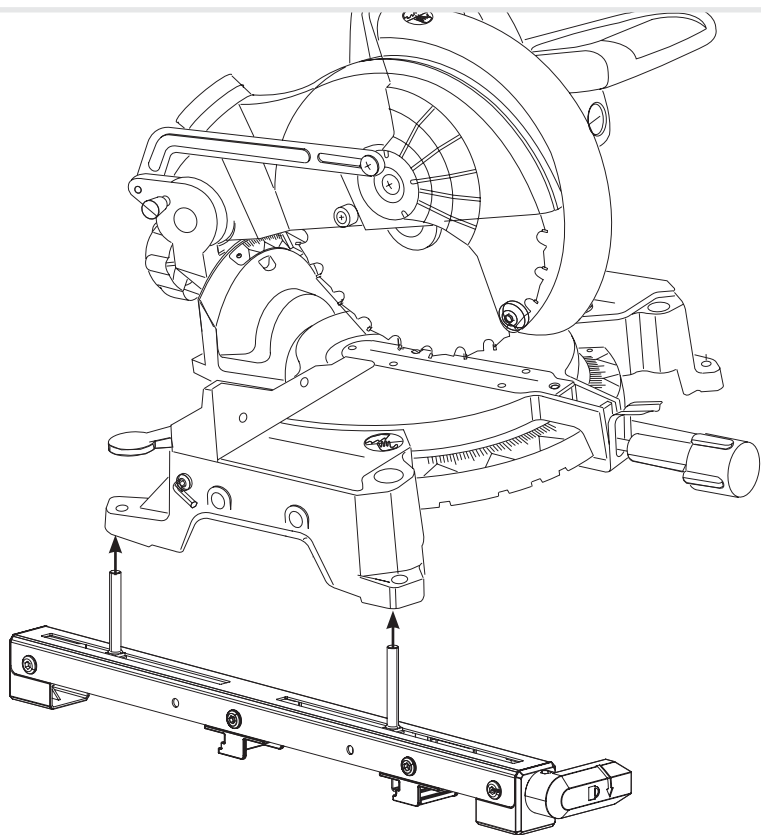


4. **FOR CENTER MOUNTING:** Use 4 mm hex key to loosen screws and remove stair steps from tool mount. Reinstall stair steps into second and fourth holes. Make sure stair steps are facing away from tool mount handle. Repeat this step for the other tool mount.

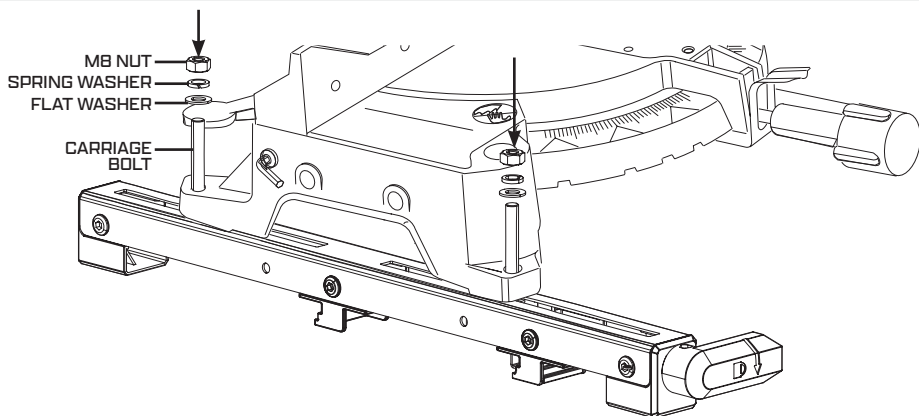


5. Feed two carriage bolts from underneath the tool mount, one bolt per slot.
6. Add a rubber O-ring to each carriage bolt.

ATTACHING SLIM PROFILE TOOL MOUNTS TO YOUR MITER SAW

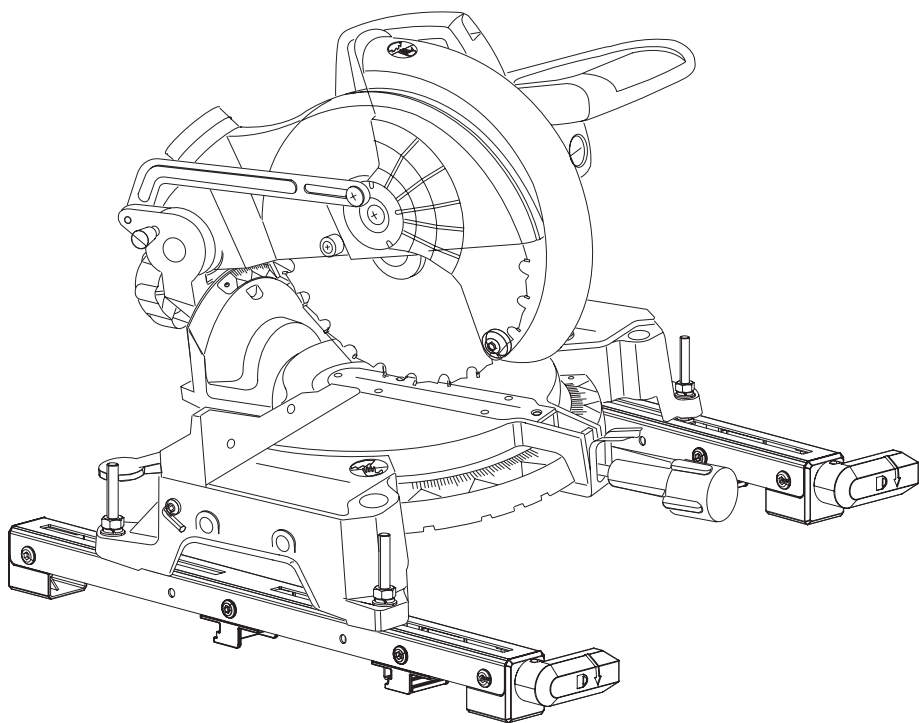


7. Place tool mount under one side of your miter saw. Maneuver miter saw over tool mount and feed pre-installed carriage bolts into mounting holes.



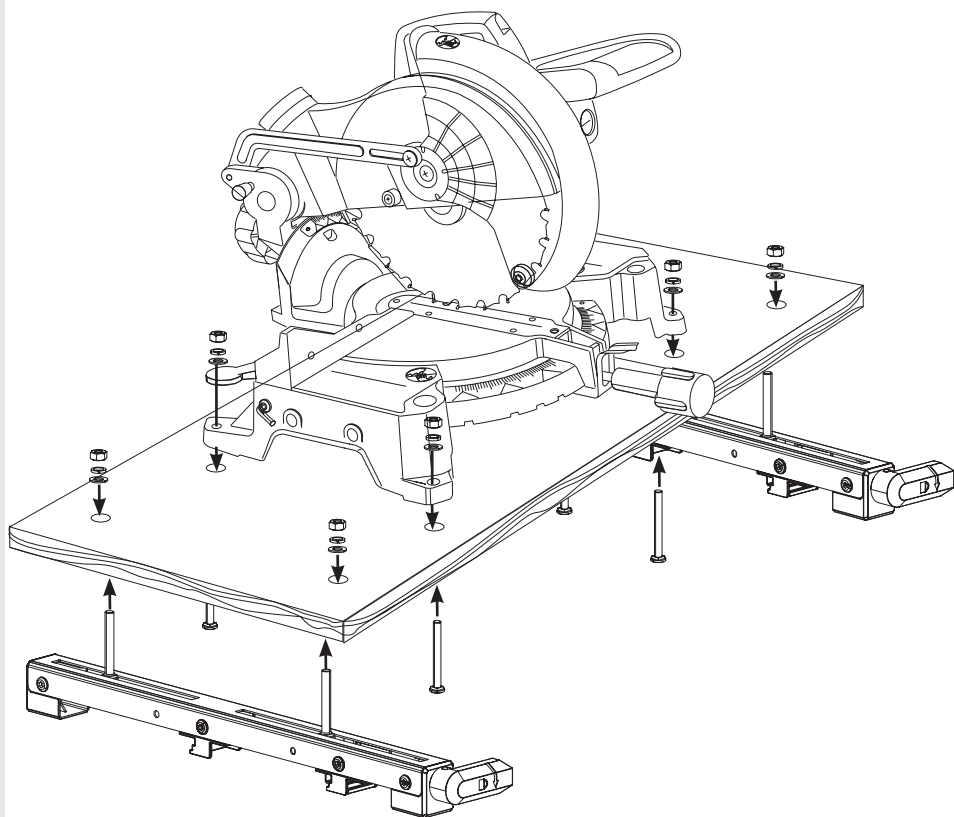
8. Place a flat washer, spring washer, and MB nut onto carriage bolts.

ATTACHING SLIM PROFILE TOOL MOUNTS TO YOUR MITER SAW



9. Repeat steps #5 through #8 to attach second tool mount to your miter saw.
10. Ensure both tool mounts are parallel to one another, and finger-tighten all four MB nuts to hold in position.

ATTACHING SLIM PROFILE TOOL MOUNTS TO YOUR MITER SAW

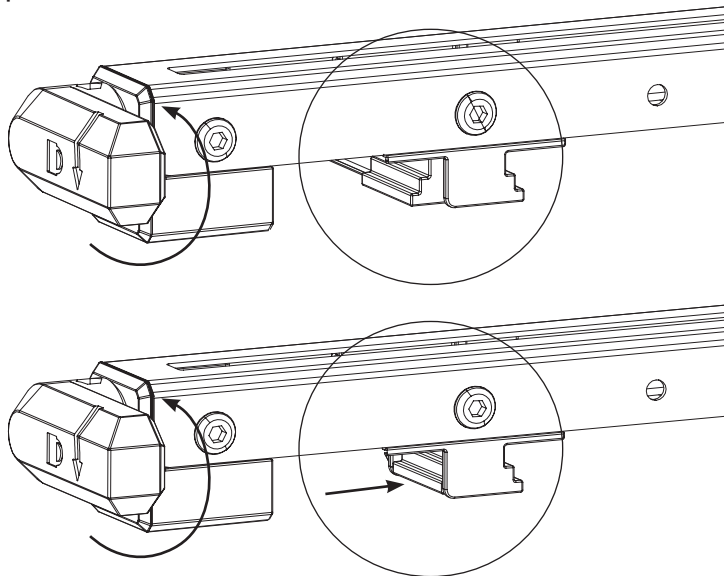


NOTE: If your miter saw mounting holes DO NOT line up with tool mount slots and tool mounts are not parallel to each other when mounted:

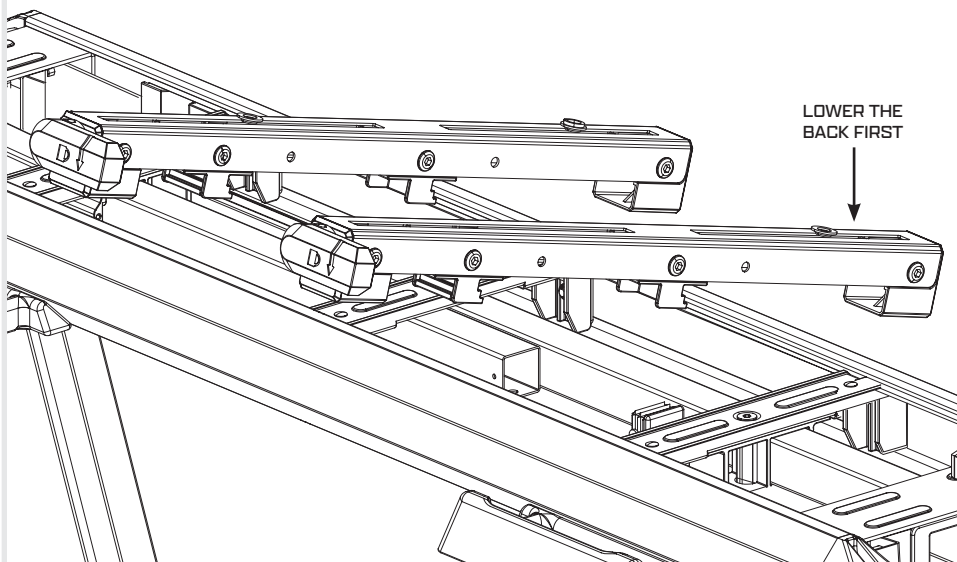
- Make sure your miter saw is unplugged and saw arm is locked in the down position.
- Mount miter saw to a mounting surface at least 3/4" thick using required bolts, washers, and nuts for your miter saw.
- Drill holes in mounting surface to match position of tool mount slots.
- Proceed with installation.

MOUNTING MITER SAW ASSEMBLY TO THE STAND

Tools Required: 13 mm socket or wrench (not included)

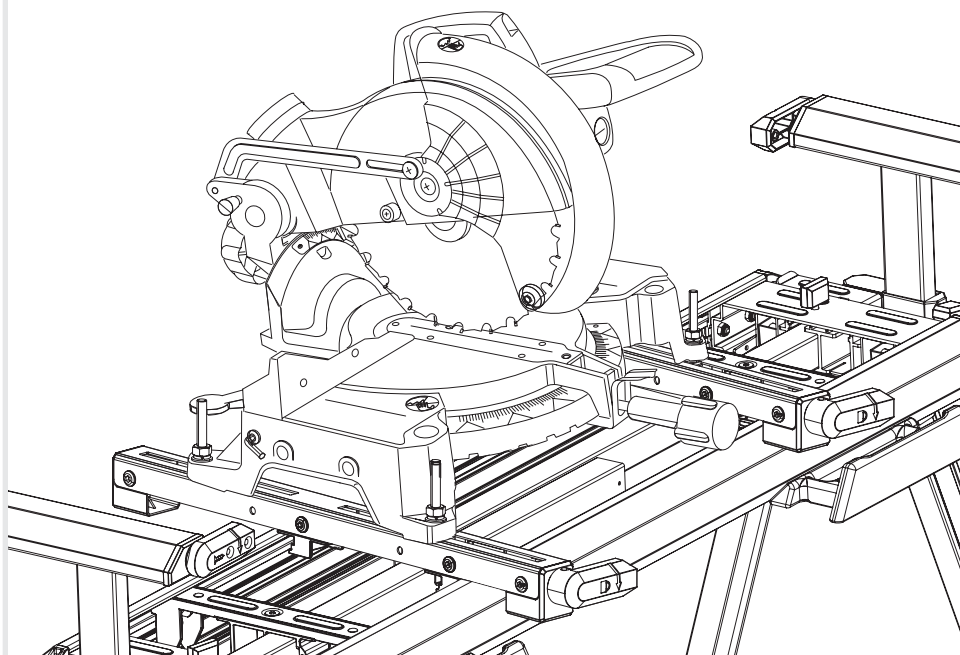


1. Turn tool mount handles counterclockwise until stair steps are fully retracted.

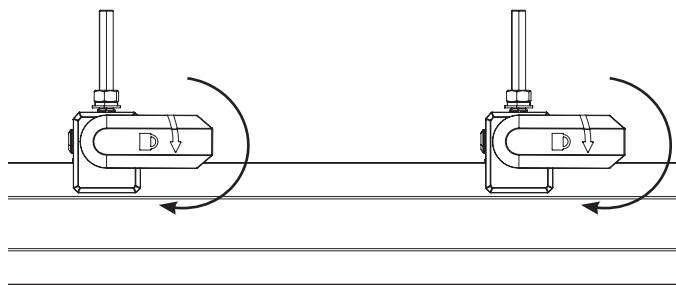


2. Carefully lift miter saw assembly and tilt it slightly away from your body.
3. Lower the back of miter saw assembly first, placing stair steps inside back rail.

MOUNTING MITER SAW ASSEMBLY TO THE STAND

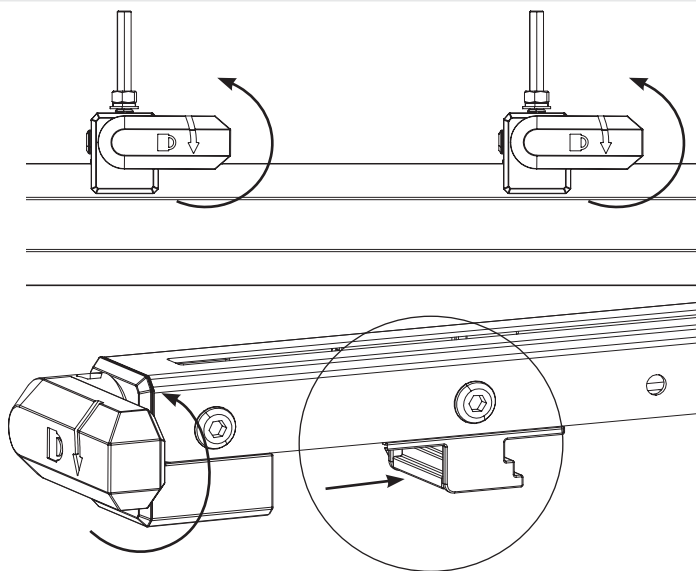


4. Lower front of your miter saw assembly to sit flat into chassis.
5. Slide miter saw assembly left or right to desired position.

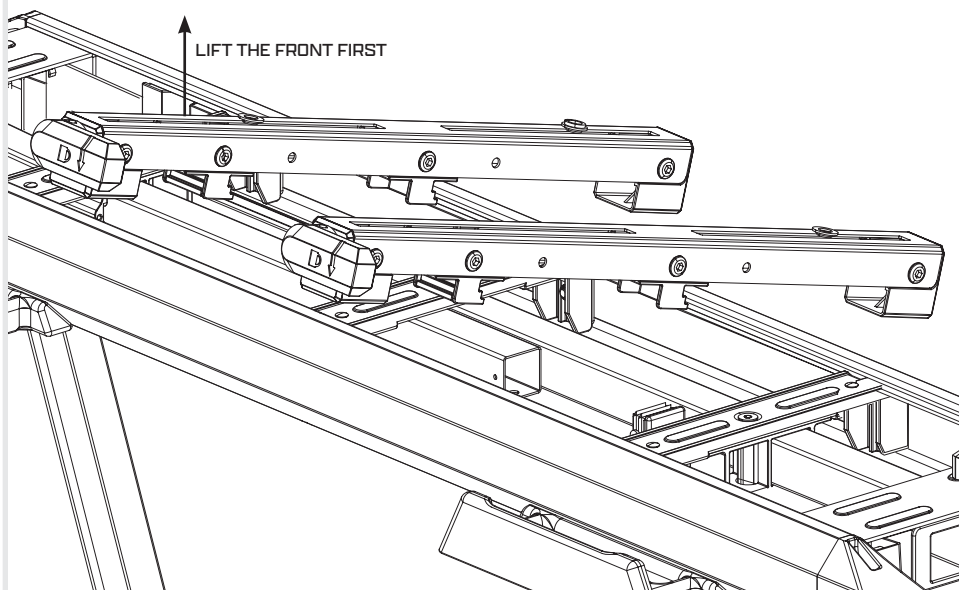


6. Turn both tool mount handles clockwise until stair steps are engaged and miter saw assembly is secured in place.
NOTE: Do not overtighten - turn one half of a rotation after resistance is felt.
7. Ensure weight of miter saw assembly is evenly balanced over chassis and adjust position if necessary.
8. Use 13 mm socket or wrench to fully tighten MB nuts and secure miter saw assembly.

REMOVING MITER SAW ASSEMBLY FROM THE STAND

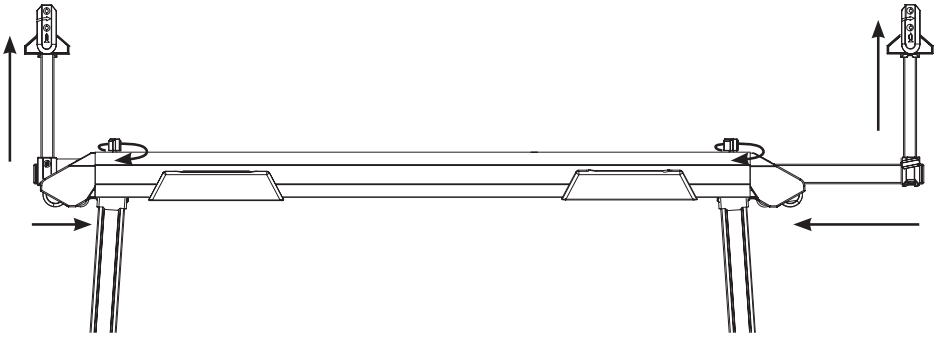


1. Turn tool mount handles counterclockwise until stair steps are fully retracted.

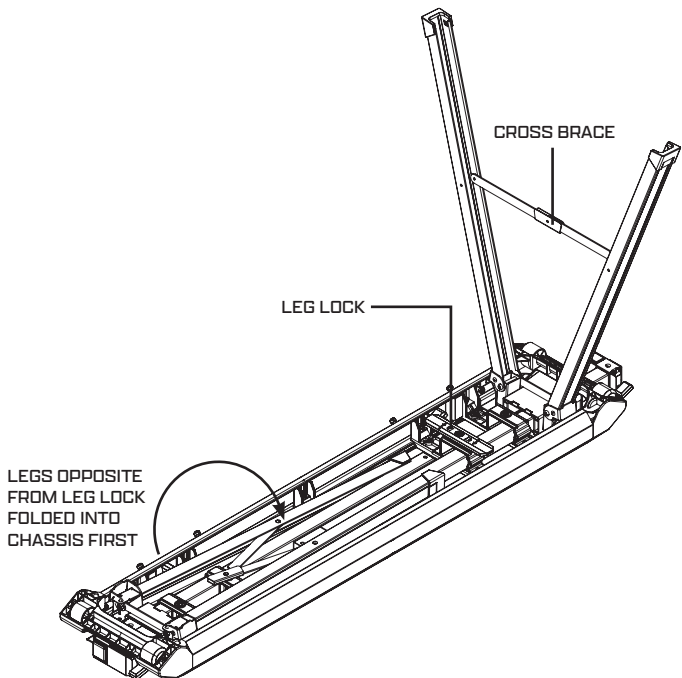


2. Lift front side of miter saw assembly until it is above the front rail.
3. Pull and lift miter saw assembly to disengage from back rail.
4. Place miter saw assembly on a flat, stable surface.

TRANSPORTING AND STORING THE MITER SAW STAND

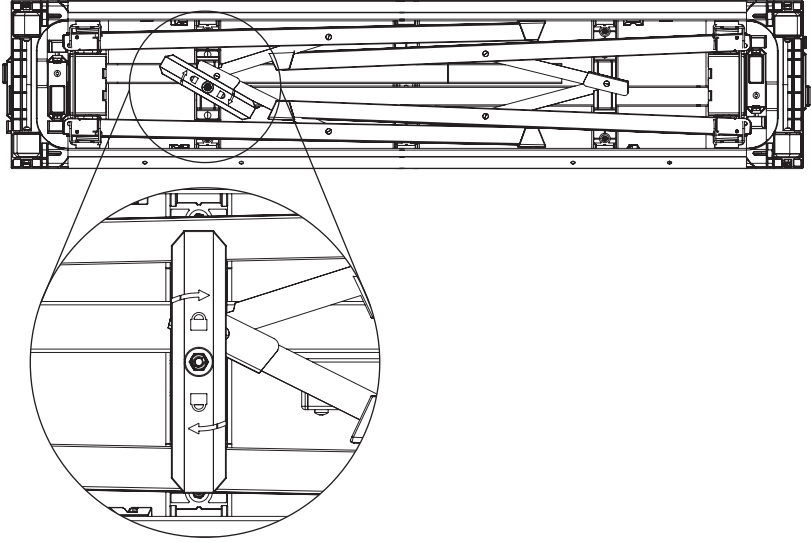


1. Refer to instructions for REMOVING MITER SAW ASSEMBLY FROM THE STAND.
2. Adjust height of all material supports to the highest point and slide both arm extensions back into chassis.
3. Use paddle knobs located on top of chassis to adjust and secure arm extensions.

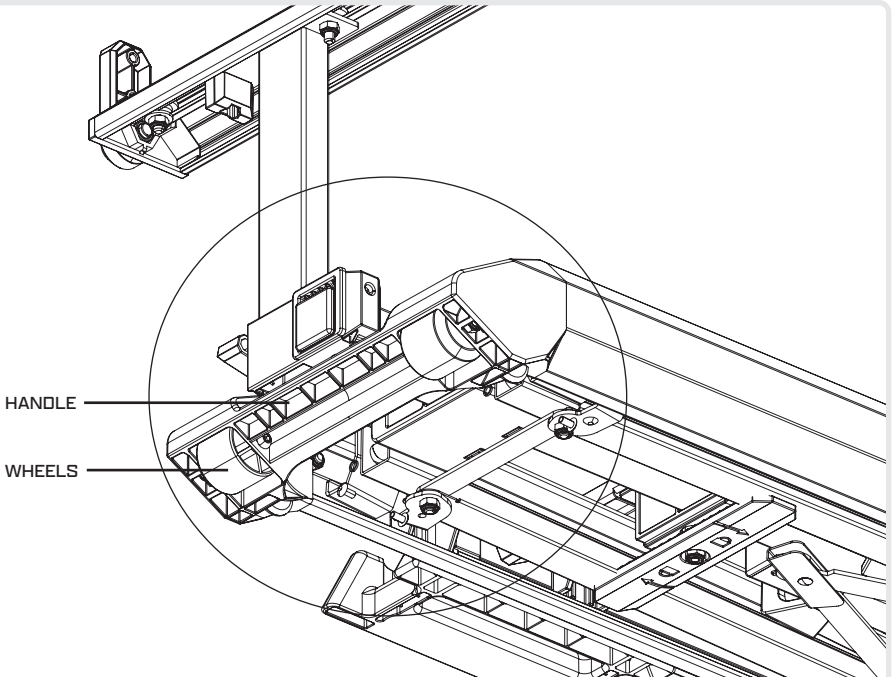


4. Carefully flip the stand over so that legs are facing up.
5. Set of legs opposite from leg lock must be folded into chassis first.
6. Press on cross brace to bring legs together. Push legs down until fully nested into arm extensions.
7. Fold second set of legs. Push legs down until they are fully nested into chassis frame.

TRANSPORTING AND STORING THE MITER SAW STAND



8. Turn leg lock to secure legs in place.



9. Use handles with built-in wheels on either side of chassis to transport workstation to desired location.

SAFETY AND WARNINGS

SAFETY INSTRUCTIONS FOR MITER SAW STATIONS

1. Use caution when folding or unfolding legs to limit any finger pinch points.
2. Place stand on flat and level surface to keep from racking or tipping.
3. Make sure that work support extensions (if included) are within safe operating limits and are properly locked in place before using tool.
4. Do not exceed the rated capacity on main frame table/chassis.
5. Ensure load is equally distributed.
6. Test the setup for stability before proceeding with work.
7. Use only the slim profile mounting brackets included with this kit.
8. Do not sit or stand on the miter saw stand.
9. Remove miter saw before folding the stand for transport and storage.

GENERAL SAFETY INSTRUCTIONS FOR POWER TOOLS

Using power tools of any kind can be dangerous if safe operating procedures are not followed. Recognizing the hazards of each tool and using them with respect and caution will considerably limit the possibility of personal injury. However, if safety precautions are ignored, personal injury can likely result. Always use common sense - your personal safety is your responsibility.

1. Know your power tool. Read and understand the product manual and observe the warnings and instruction labels affixed to the tool.
2. Properly ground all tools.
3. Keep guards in place.
4. Remove adjusting keys and wrenches.
5. Keep work area clean and dry.
6. Keep children away.
7. Never leave running machines/tools unattended.
8. Disconnect tools from service.
9. Use correct tools for the job.
10. Never force a tool.
11. Wear proper safety glasses/goggles and apparel.
12. Never stand or sit on tools.
13. Replace damaged components immediately.
14. Make sure your work platform is sufficiently sturdy to do the specific job at hand.
15. Properly anchor blade for job being done.
16. Use correct blade for job being done.

GENERAL MAINTENANCE

Avoid using solvents when cleaning plastic parts. Most plastics are susceptible to damage from various types of commercial solvents and may be damaged by their use. Use a clean cloth to remove dirt, dust, oil, grease, etc.

WARRANTY

3-YEAR

LIMITED WARRANTY

This product is backed by a 3-year limited warranty. This warranty covers manufacturer defects and workmanship. The warranty excludes misuse or abuse and normal wear and tear. This warranty gives you specific legal rights, and you may have other rights, which vary from state to state.

Contact manufacturer directly for questions/comments, technical assistance, or repair parts.
Call toll free at: 1-877-707-6449 (Mon - Fri 7:00 AM - 5:00 PM PT), or visit PROTOCOLEQUIPMENT.COM.



PROTOCOL™

04.18.2023

JS PRODUCTS • 6445 MONTESSOURI STREET • LAS VEGAS, NV 89113
CUSTOMER SERVICE: 1-877-707-6449 • PROTOCOLEQUIPMENT.COM