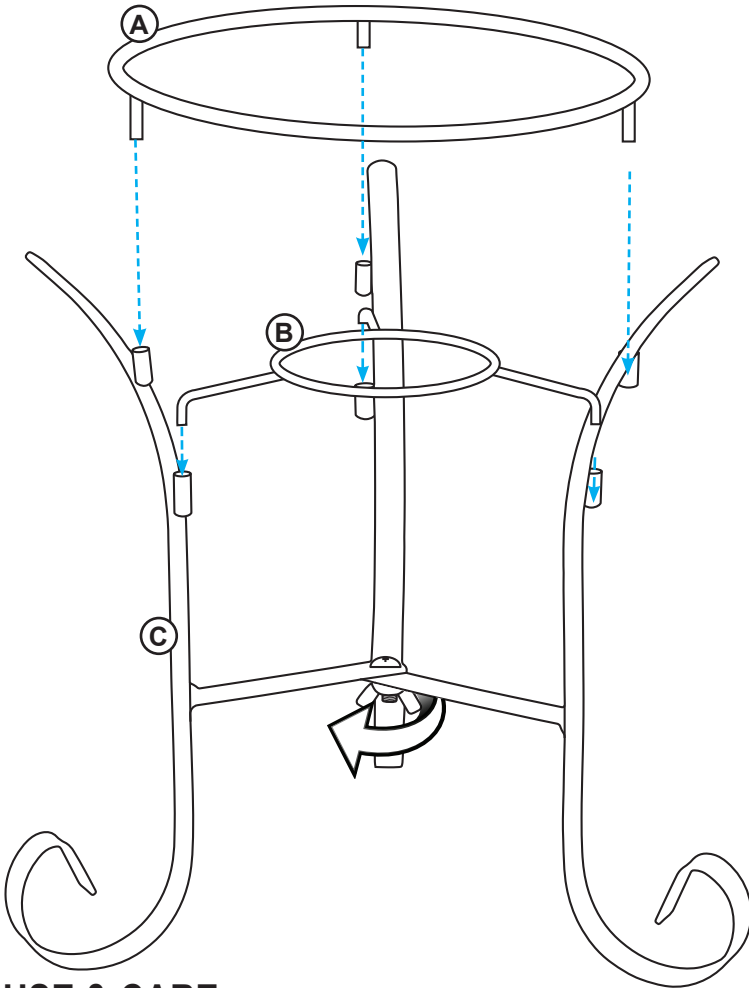
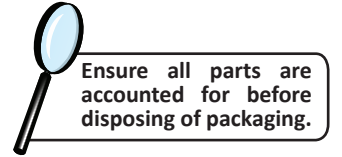


TRADITIONAL GAZING GLOBE STAND ZIB-588

Read assembly instructions carefully and follow the care instructions. Save this document for future reference.



No.	PART	QTY.
A	Top Ring	1
B	Inner Ring	1
C	Frame	1



ASSEMBLY

1. Unfold Frame (C) and place it on a level surface.
2. Affix Inner Ring (B) to the lower spaces on the frame.
3. Affix Top Ring (A) to the upper spaces of the frame.
4. Tighten the wing nut on the bottom of the frame; do not over-tighten.

NOTE: The rings are intended to fit snugly in the frame, minor force may be necessary to align the rings with the frame.

USE & CARE

- Choose a flat, level location to place the stand.
- Avoid high-traffic areas such as locations where children and pets play.
- Occasionally check the wing nut on the bottom of the frame to ensure it is intact.

CLEANING

Wipe the stand down with warm water and a soft cloth.

⚠ IMPORTANT INFORMATION ⚠

- Store indoors during the winter and inclement weather conditions.
- Remove the gazing globe (not included) from the stand during windy conditions.
- Do not bend the metal.

Any modification to the product or failure to follow recommended care will void the product warranty.