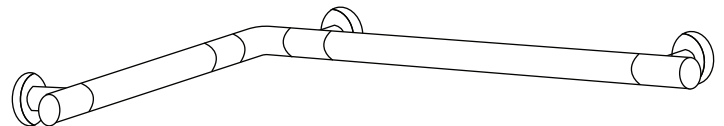
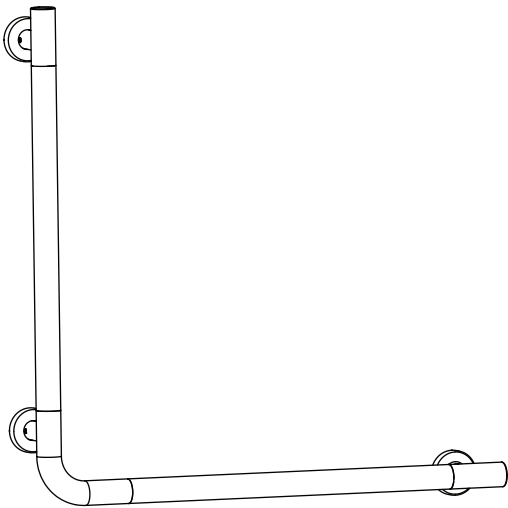
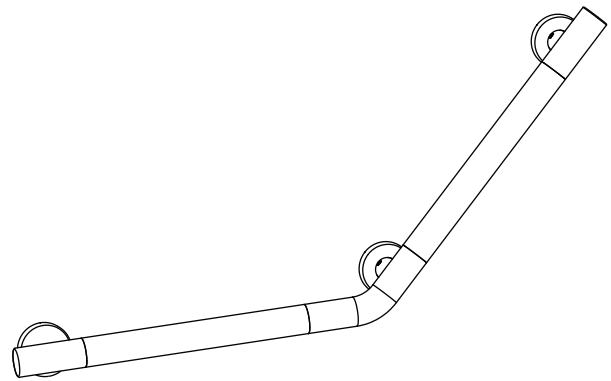
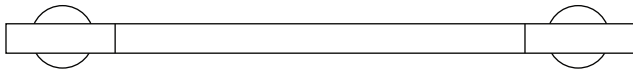


# Auvergne Grab Bars

## INSTALLATION INSTRUCTIONS





## PRIOR TO INSTALLATION:

- Inspect product to ensure no damages have occurred while in shipping.
- Observe all plumbing and building codes in accordance with your state and local requirements.
- All dimensions are nominal! Be sure to measure your bathtub prior to installation.
- The step-by-step guidelines in the installation instructions are a general reference. Should there be any discrepancies, Swiss Madison cannot be held liable. It is recommended to install all Swiss Madison products by hiring a licensed professional.
- Read installation and maintenance instructions thoroughly before installing. Be sure to use proper tools and always wear proper personal safety accessories for your protection.

## QUESTIONS OR CONCERNS?

Please contact us:

1-434-623-4766

[info@swissmadison.com](mailto:info@swissmadison.com)

## SUGGESTED TOOLS:



Safety Glasses



Wrench



Screwdriver



Hand Drill

## LIST OF PARTS:

### ● SM-GB01MW: I Shaped Handrail



Main part x1



Mounting plate x2



Decorative cover x2



Expansion tube &amp; screw set x6



Lock screw x4

### ● SM-GB04MW: L Shaped Handrail



Main part x1



Connecting rod x1



Self-tapping screw x1



Mounting plate x3



Decorative cover x3

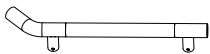


Expansion tube &amp; screw set x9



Lock screw x6

### ● SM-GB03MW: 135° Handrail



Main part x1



Connecting rod x1



Self-tapping screw x1



Mounting plate x3



Decorative cover x3



Expansion tube &amp; screw set x9

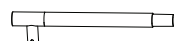


Lock screw x6

### ● SM-GB02MW: Right Angle Handrail



Main part x1



Connecting rod x1



Self-tapping screw x1



Mounting plate x3



Decorative cover x3



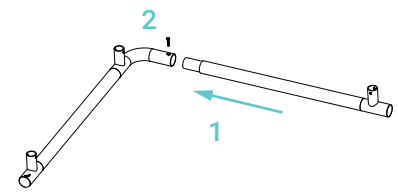
Expansion tube &amp; screw set x9



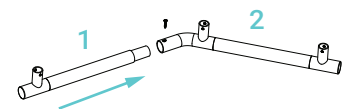
Lock screw x6

## PRECAUTIONS BEFORE INSTALLATION

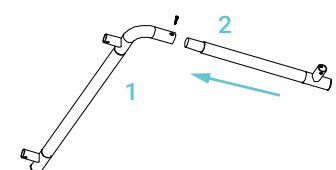
- Check your wall type and strength before installation (tile wall is recommend). For wood walls, make sure they are solid wood and the thickness of the solid wood panel is  $\geq 12\text{mm}$ .
- For solid wood handrail, we recommend not install them in outdoor or damp indoor environment.
- When installing the L shaped handrail or 135° handrail or right angle Handrail, please insert the connecting rod into the main part and fix them with the self-tapping screw as the picture showed in the right.



SM-GB04MW: L Shaped Handrail



SM-GB03MW: 135° Handrail

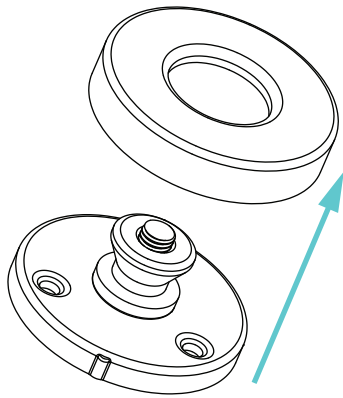


SM-GB02MW: Right Angle Handrail

## INSTALLATION:

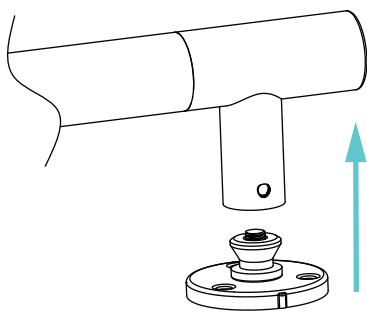
### 1 Take Out All Parts

- Remove the decorative covers from the mounting plates.



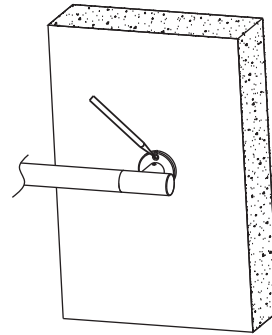
### 2 Insert Mounting Plates

- Insert the mounting plates into the support arm of the main part.



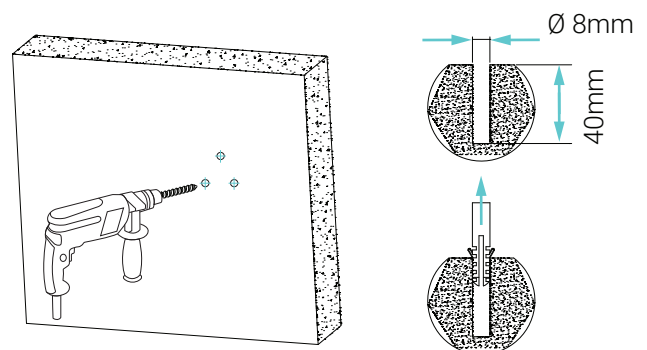
### 3 Mark Drill Holes

- Position the handrail on the mounting place of the wall, mark the position of mounting hole.
- I-shaped handrail needs 6 mounting holes.
- L-shaped handrail & 135° handrail need 9 mounting holes respectively.



### 4 Installing on Different Finishes

- When installing on the tile wall, drill holes in the marked positions and insert the expansion tubes into the holes.
- When installing on the wood wall, no need to drill. Use screwdriver and the screw set attached to lock the mounting plates on the wood wall directly, the expansion tubes are not needed.



## ONE YEAR LIMITED WARRANTY

Swiss Madison® products are made with quality materials and excellent craftsmanship to provide our customers with beautiful, durable, long-lasting products. Should there be any defects in materials or craftsmanship under regular use that are discovered within the first year of installation, Swiss Madison® will provide replacement parts at no charge, or at its discretion, replace any product or part of the product that is deemed defective, under normal installation, use, service or maintenance. This warranty applies only to the original purchaser. Proof of purchase will be required in the instance of a claim.

Swiss Madison® recommends all installations of Swiss Madison® products to be conducted by a licensed, professional plumber or contractor. Swiss Madison® will not be held responsible for any damage or product failure due to improper installation, misuse, or failure to utilize a licensed professional for installation. Swiss Madison® is not responsible for any installation or removal costs.

### THIS ONE YEAR LIMITED WARRANTY WILL BE VOIDED IF:

- The installation recommendations were not followed by the installer
- The product has been moved from its initial place of installation
- The product has in any way been modified from its packaged state
- The product has been subjected to improper maintenance, abuse, misuse, excessive use of chemicals, accidents, or other damages, etc.

Swiss Madison® makes no implication that its products comply with any local building or plumbing codes. It is the consumer's responsibility and obligation to determine local code compliance prior to and during installation. This warranty extends only to the original purchaser and first consumer.

Swiss Madison® is not responsible for any special, incidental or consequential damages associated with the installation, replacement, return or use of the original purchaser's product. This includes, but is not limited to: freight costs, labor, travel time, lost profit, home damages and other contingent liabilities and costs (including, without limitation, costs associated with 'professionals' or 'experts', investigations, audits, analyses, attorneys and any other professional/hired services).

The Swiss Madison® warranty is a comprehensive and explicit limit of liability. All items not disclosed within the warranty are not addressable within the responsibility of Swiss Madison®. Certain states have variances regarding implied warranties; in those situations, we remain fully compliant.

### QUESTIONS OR CONCERNS?

Please contact us directly at 1-434-MADISON (623-4766)

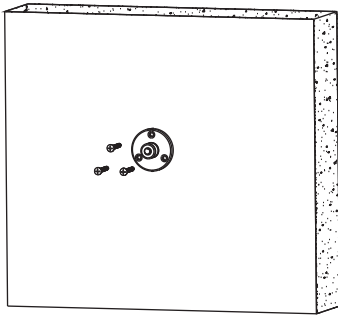


#### **WARNING:**

Contents of your order may contain sharp and possibly other harmful pieces and may cause hazard to children and adults. Swiss Madison® is not responsible in any way for personal damages.

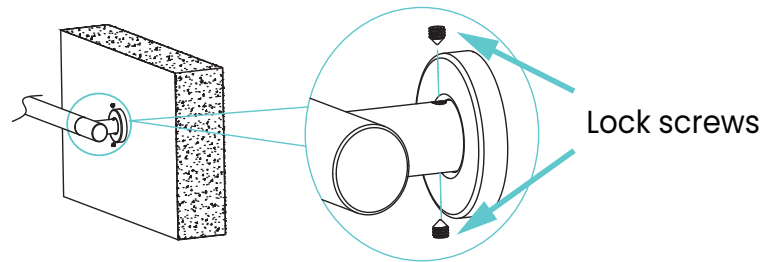
## 5 Insert Screws

- For tile wall, align the mounting plates holes to the holes on the wall, then insert screws.
- Use a screwdriver to lock the mounting plates on the wall.



## 7 Finish Mounting

- Use the lock screws to fix the main part to mounting plates.



## 6 Install Decorative Covers

- Install the decorative covers on the mounting plates. Then insert the support arm into the mounting plates. (Make sure all support arms are inserted).

