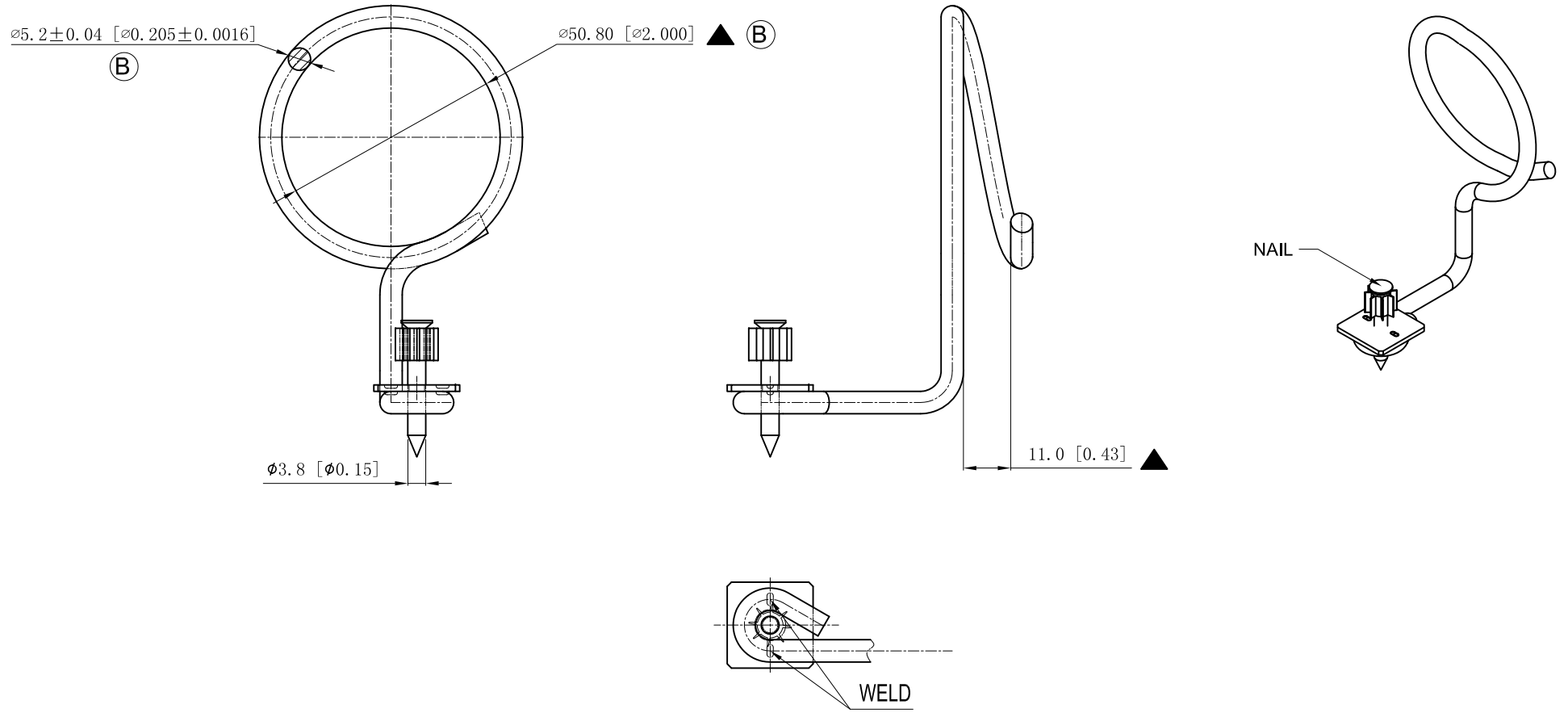


SIDES	BOTTOM
1 PCS 1-1/4 Nail Installed	
Material: Steel-0.205"-(C1008-C1018) Zinc Plated	



This data sheet is for reference only .GARVIN INDUSTRIES reserves the right to make changes to the design without prior notice.

DESCRIPTION
Patent #: Pat. US 6,364,266 B1
TRADE REFERENCE TERMS

STANDARD PACKING
100 PCS

GARVIN INDUSTRIES		
TITLE QUICK-SHOT BRIDLE RINGS		
SIZE A4	DWG NO. BR-200-SSC	REV D
DATA SHEET		