

Double Light 1182

Features

- Solid brass construction
- Single-post, double light design
- UL listed for damp locations (U.S. and Canada)
- Max. 100 Watt Type A-19 bulb (not supplied) required.
- May be installed with shade facing upward or downward
- Complements Chelsea product series

Codes / Standards Compliance

Meets or exceeds the following at date of manufacture:

- UL Listed
- All applicable US Federal and State material regulations

Colors / Finishes

- ORB: Oil Rubbed Bronze
- PB: Polished Brass
- PC: Polished Chrome
- PN: Polished Nickel
- SN: Satin Nickel



Specified Model

Model	Description	Colors Finishes
1182	Double Light, Satin-Etched Glass	<input type="checkbox"/> ORB <input type="checkbox"/> PB <input type="checkbox"/> PC <input type="checkbox"/> PN <input type="checkbox"/> SN

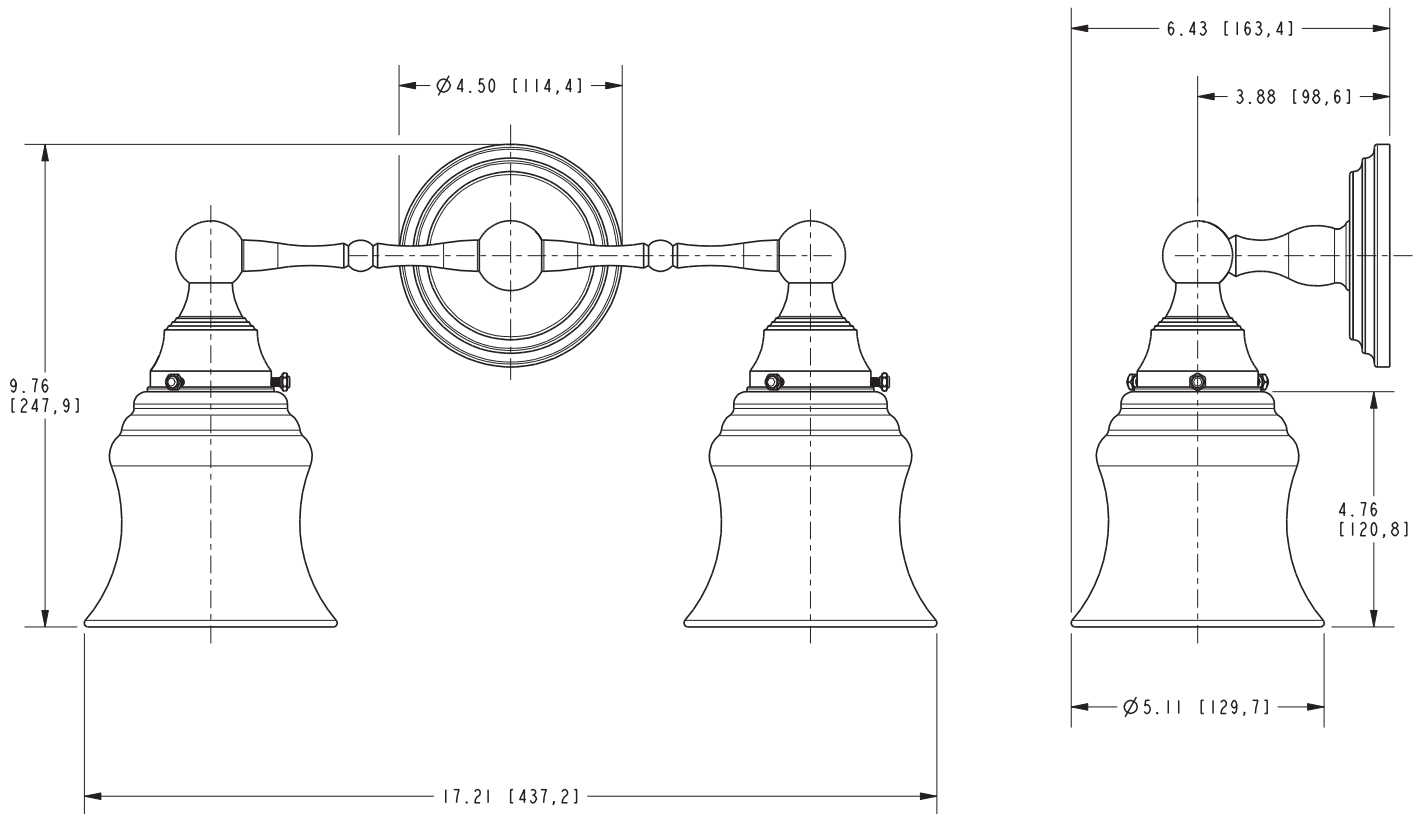
Replacement Parts

Model	Description	Colors Finishes
1181-TG-E	Replacement Main Glass Shade, Satin-Etched Glass	<input type="checkbox"/> Satin-Etched Glass
1181-TG-N	Replacement Main Glass Shade, Nuage Glass	<input type="checkbox"/> Nuage Glass

Product Specification: Add "Color / Finish" Suffix to Model Number Below

The Double Light shall be made of solid brass construction and incorporate a (satin-etched, nuage or satin opal) glass shade. Double Light shall complement Ginger Chelsea product series. Double Light shall be Ginger Model 1182____/____.

1182



Chelsea Double Light
1182