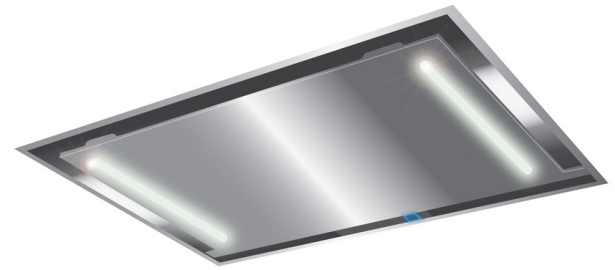




XOCEILING_S
KITCHEN ISLAND CEILING VENT

HOW BEAUTIFUL KITCHENS BREATHE



XOCEILING_S

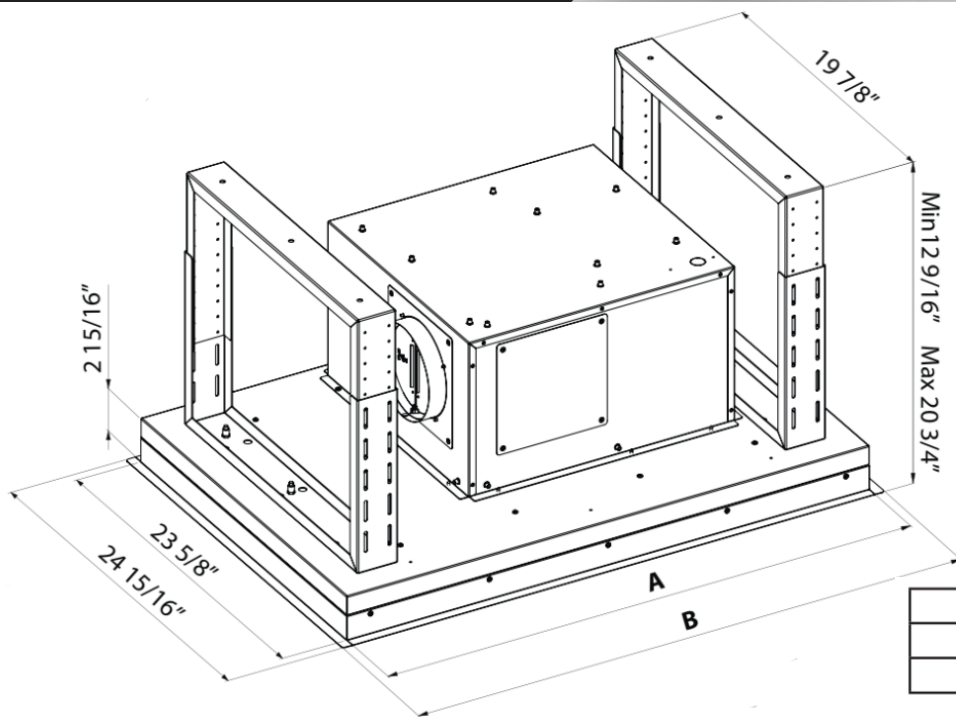
- Quiet, efficient Peripheral Aspiration.
- Brightly Illuminated LEDs
- ADA Compatible remote control
- CCC Controls 600 or 395 CFM max
- Made in Italy

XO CEILING VENTS

The XO Ceiling Vent hood discreetly mounts into the ceiling above your cooking surface for power and an unobstructed view. Your kitchen will stay clean and smoke free with the Perimeter Aspiration System and multiple blower options, and the tri-level LED lighting ensures a good-looking glow. Available in 36" and 42".

WORLD CLASS SERVICE | COMPREHENSIVE WARRANTIES

OUR LASTING COMMITMENT TO YOU



MODEL	A	B
XOCEILING36	34 5/8"	35 7/8"
XOCEILING42	40 5/8"	41 15/16"

FEATURES

SPECIFICATIONS

FINISH

Stainless Steel

FEATURES

- Electronic 3 Speed Control + Power Boost
- CCC Code Compliance Control - 395 or 600 CFM
- ADA Compliant Remote Control Included
- High-Efficiency LED Bars
- Provides unobstructed view of cooking area
- Quiet, efficient Peripheral Aspiration
- Dishwasher Safe Aluminum Mesh Filters
- 5 Minute Delay Shutoff Timer
- Made In Italy

ELECTRICAL 120V / 60 Hz / 4A

DIMENSIONS

34-5/8" W x 23-5/8" D x 20-3/4" H
 40-5/8 W x 23-5/8 D x 20-3/4" H