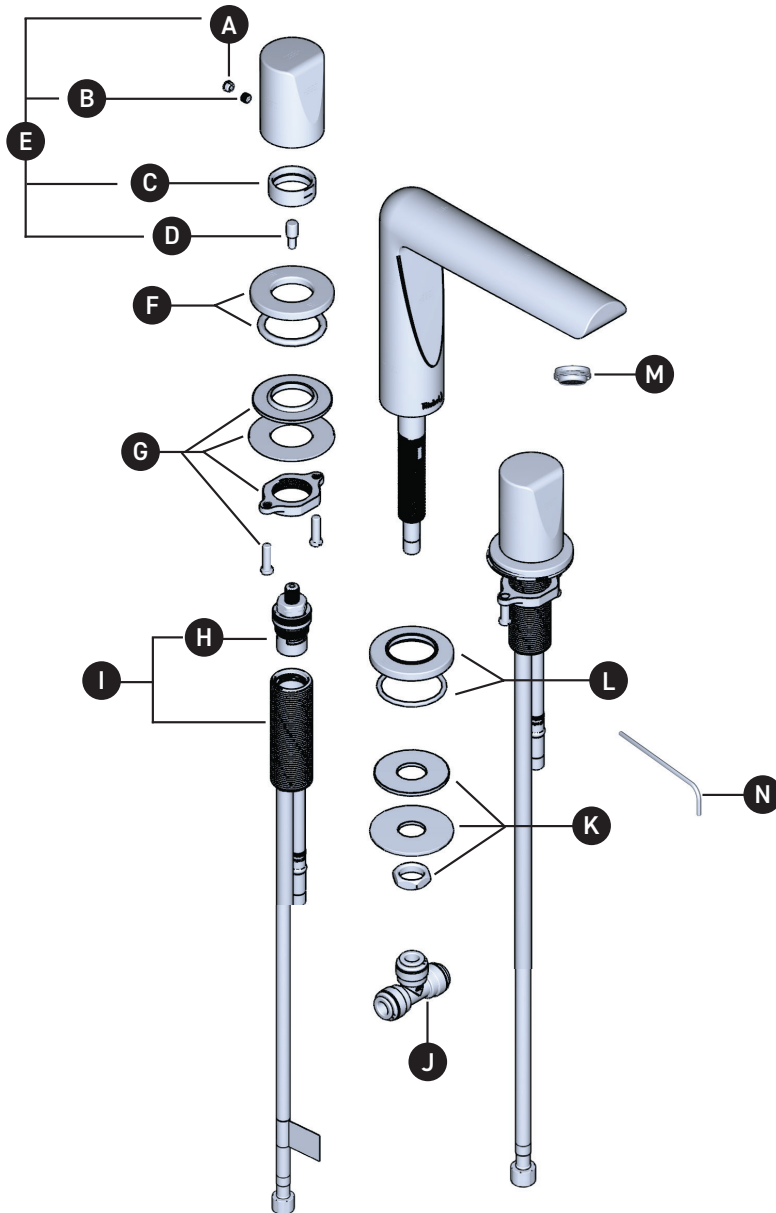


ORDER BY PART NUMBER

## ILLUSTRATED PARTS

### PB08

Parabola™ Widespread Lavatory Faucet



ID	Kit Number	Finish
A*	003-030	See below
B	157-040	N/A
C	305-049	N/A
D	305-212	N/A
E*	1068	See below
F*	2613	See below
G	7460	N/A
H	401-079 (H)	N/A
	401-080 (C)	N/A
I	0520-R (H)	N/A
	0520-B (C)	N/A
J	7328	N/A
K	7435	N/A
L*	2631	See below
M	S6-639-15 (1.5gpm / 5.7l/min)	N/A
	S6-639-12 (1.2gpm / 4.6l/min)	N/A
	S6-639-10 (1.0gpm / 3.8l/min)	N/A
	S6-639-05 (0.5gpm / 1.9l/min)	N/A
N	505-025	N/A

**\*Finish Determined by Suffix**

Finish	Description
C	Chrome
BK	Black
BG	Brushed Gold
PN	Polished Nickel

For warranty or additional information, contact:

U.S.A.  
houseofrohl.com/support  
1-800-777-9762

QUEBEC / MARITIMES / WESTERN CANADA  
QUÉBEC / MARITIMES / OUEST CANADIEN  
QUEBEC / MARITIMOS / CANADA OCCIDENTAL  
houseofrohl.ca/support  
1-866-473-8442

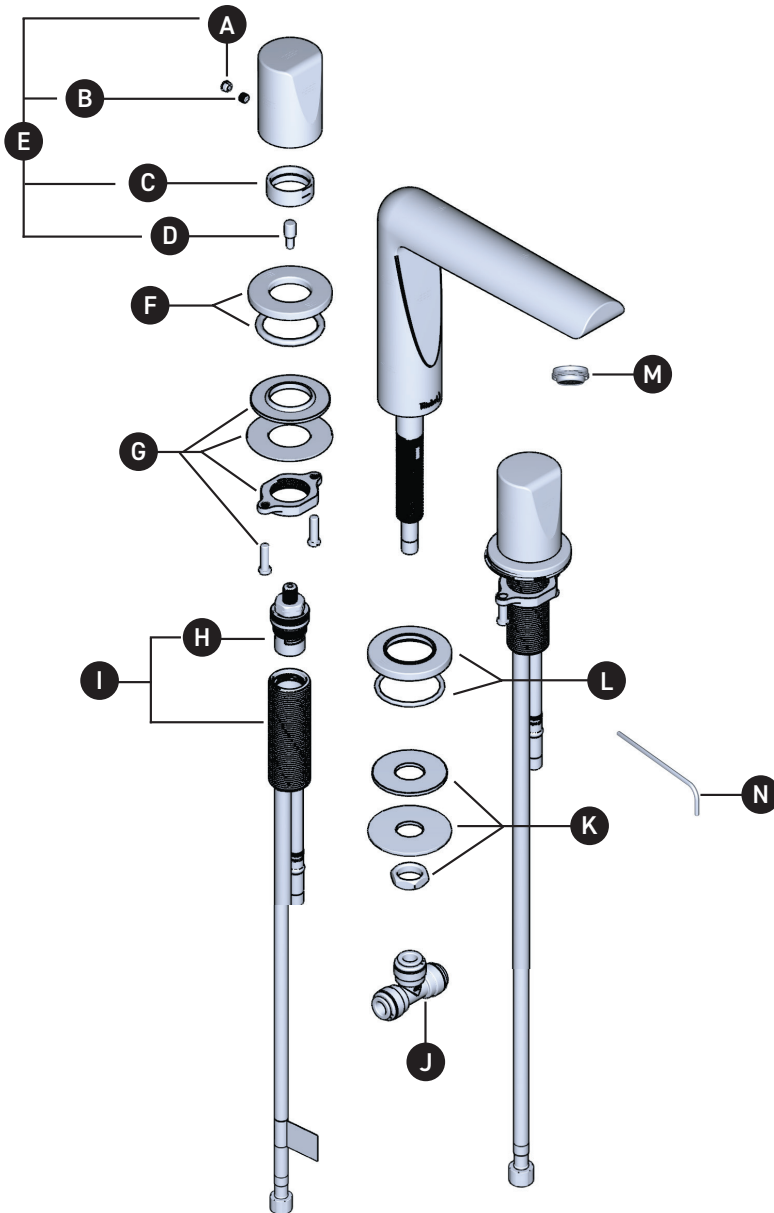
ONTARIO  
houseofrohl.ca/support  
1-800-287-5354

VEUILLEZ EFFECTUER VOTRE COMMANDE  
PAR NO DE RÉFÉRENCE

## ILLUSTRATIONS DES PIÈCES

### PB08

Robinet de lavabo 8" Parabola™



ID	Référence du kit	Finition
A*	003-030	Voir ci-dessous
B	157-040	N/A
C	305-049	N/A
D	305-212	N/A
E*	1068	Voir ci-dessous
F*	2613	Voir ci-dessous
G	7460	N/A
H	401-079 (H)	N/A
	401-080 (C)	N/A
I	0520-R (H)	N/A
	0520-B (C)	N/A
J	7328	N/A
K	7435	N/A
L*	2631	Voir ci-dessous
M	S6-639-15 (1.5gpm / 5.7l/min)	N/A
	S6-639-12 (1.2gpm / 4.6l/min)	N/A
	S6-639-10 (1.0gpm / 3.8l/min)	N/A
	S6-639-05 (0.5gpm / 1.9l/min)	N/A
N	505-025	N/A

#### \*Finition déterminée par le Suffixe

Finition	Description
C	Chrome
BK	Noir
BG	Or brossé
PN	Nickel poli

For warranty or additional information, contact:

U.S.A.  
houseofrohl.com/support  
1-800-777-9762

QUEBEC / MARITIMES / WESTERN CANADA  
QUÉBEC / MARITIMES / OUEST CANADIEN  
QUEBEC / MARITIMOS / CANADA OCCIDENTAL  
houseofrohl.ca/support  
1-866-473-8442

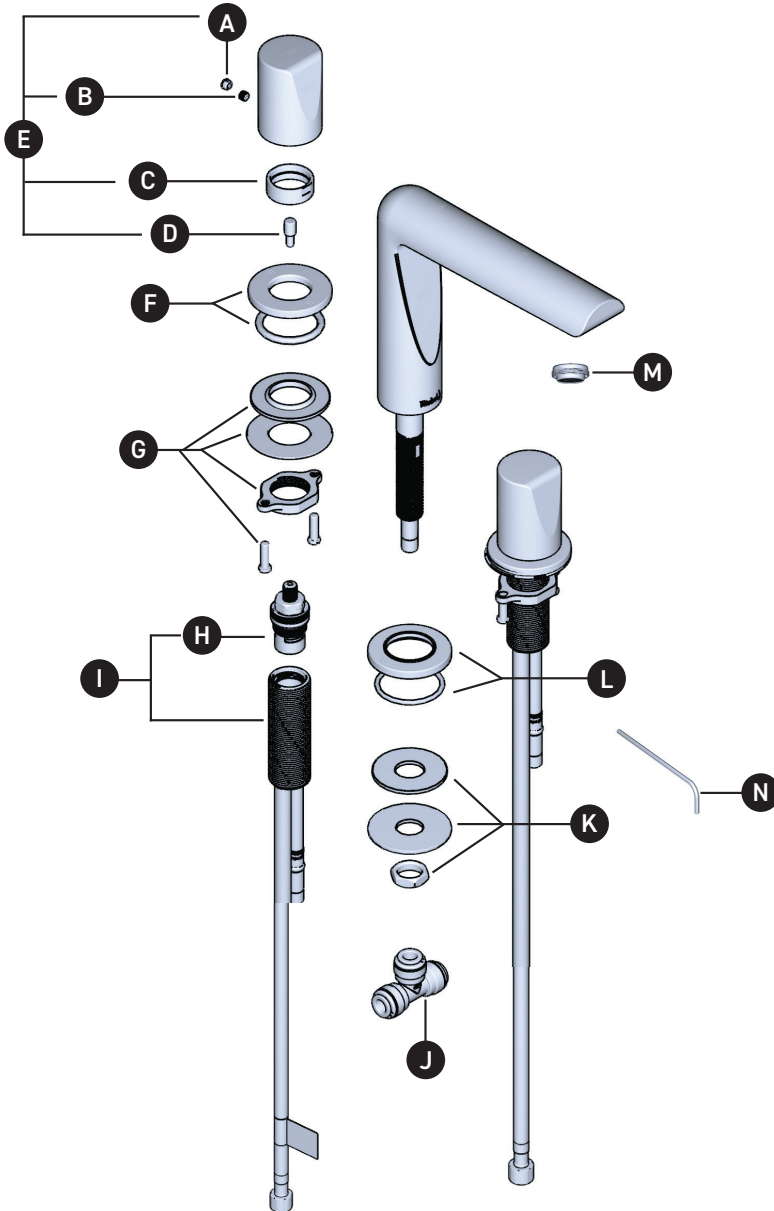
ONTARIO  
houseofrohl.ca/support  
1-800-287-5354

PEDIR POR NÚMERO DE REFERENCIA

## PIEZAS ILUSTRADAS

### PB08

Grifo para lavabo extendido Parabola™



ID	Referencia del kit	Acabado
A*	003-030	Ver más abajo
B	157-040	N/A
C	305-049	N/A
D	305-212	N/A
E*	1068	Ver más abajo
F*	2613	Ver más abajo
G	7460	N/A
H	401-079 (H)	N/A
	401-080 (C)	N/A
I	0520-R (H)	N/A
	0520-B (C)	N/A
J	7328	N/A
K	7435	N/A
L*	2631	Ver más abajo
M	S6-639-15 (1.5gpm / 5.7l/min)	N/A
	S6-639-12 (1.2gpm / 4.6l/min)	N/A
	S6-639-10 (1.0gpm / 3.8l/min)	N/A
	S6-639-05 (0.5gpm / 1.9l/min)	N/A
N	505-025	N/A

**\*Acabado determinado por el sufijo**

Acabado	Descripción
C	Cromo
BK	Negro
BG	Oro cepillado
PN	Níquel pulido

For warranty or additional information, contact:

U.S.A.  
houseofrohl.com/support  
1-800-777-9762

QUEBEC / MARITIMES / WESTERN CANADA  
QUÉBEC / MARITIMES / OUEST CANADIEN  
QUEBEC / MARITIMOS / CANADA OCCIDENTAL  
houseofrohl.ca/support  
1-866-473-8442

ONTARIO  
houseofrohl.ca/support  
1-800-287-5354