

TOTO®

CST405MF

Rowan® High-Efficiency Toilet, 1.6GPF & 1.0GPF

FEATURES

- Dual-Max® flushing system, high-efficiency (1.6GPF/6.0LPF & 1.0GPF/3.8LPF)
- Round bowl
- Universal Height
- Close coupled, round front bowl and tank set, less toilet seat
- Chrome push-button
- 12" Rough-in

MODELS

- CST405MF

COMPONENTS

- C405F - Round Front Bowl
- ST405M - Tank and Cover only
- SS113 SoftClose® seat (sold separately)

COLORS/FINISHES

- Standard
#01 Cotton
#12 Sedona Beige

PRODUCT SPECIFICATION

The two-piece, universal height, high-efficiency Dual-Max flushing system toilet shall be 1.6GPF/1.0GPF. Toilet shall have high-profile tank, round front bowl and chrome push-button. Toilet shall be WaterSense certified. Toilet shall be TOTO Model CST405MF ____.



D+ Dual-Max

CODES/STANDARDS

- Meets or exceeds ASME A112.19.2/CSA B45.1, ASME A112.19.14
- Certifications: IAPMO(cUPC), EPA WaterSense, State of Massachusetts, City of Los Angeles, and others
- Code compliance: UPC, IPC, NSPC, NPC Canada, and others
- Legislative compliance: California AB715, California Green Building Code, City of Los Angeles Water Efficiency Ordinance



CST405MF

Rowan® High-Efficiency Toilet, 1.6GPF & 1.0 GPF

SPECIFICATIONS

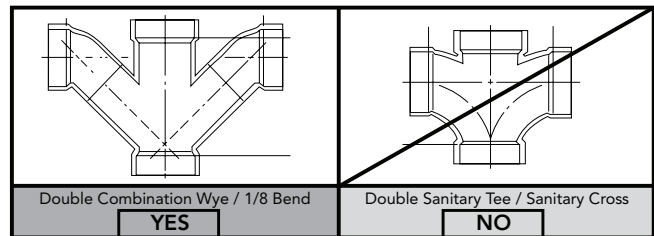
- Water Use 1.6 GPF & 1.0GPF (6.0 LPF & 3.8LPF)
- Flush System Dual-Max
- Min. Water Pressure 8 psi (flowing)
- Water Surface 7-3/8" x 9-3/8"
- Trap Diameter 1-7/8"
- Rough-in 12"
- Trap Seal 2"
- Warranty One Year Limited Warranty
- Material Vitreous china
- Shipping Weight C405F - 47lbs
ST405M - 35lbs
- Shipping Dimensions C405F 26-1/2" x 16" x 17"

ST405M 20-1/2" X 8" X 18-3/4"

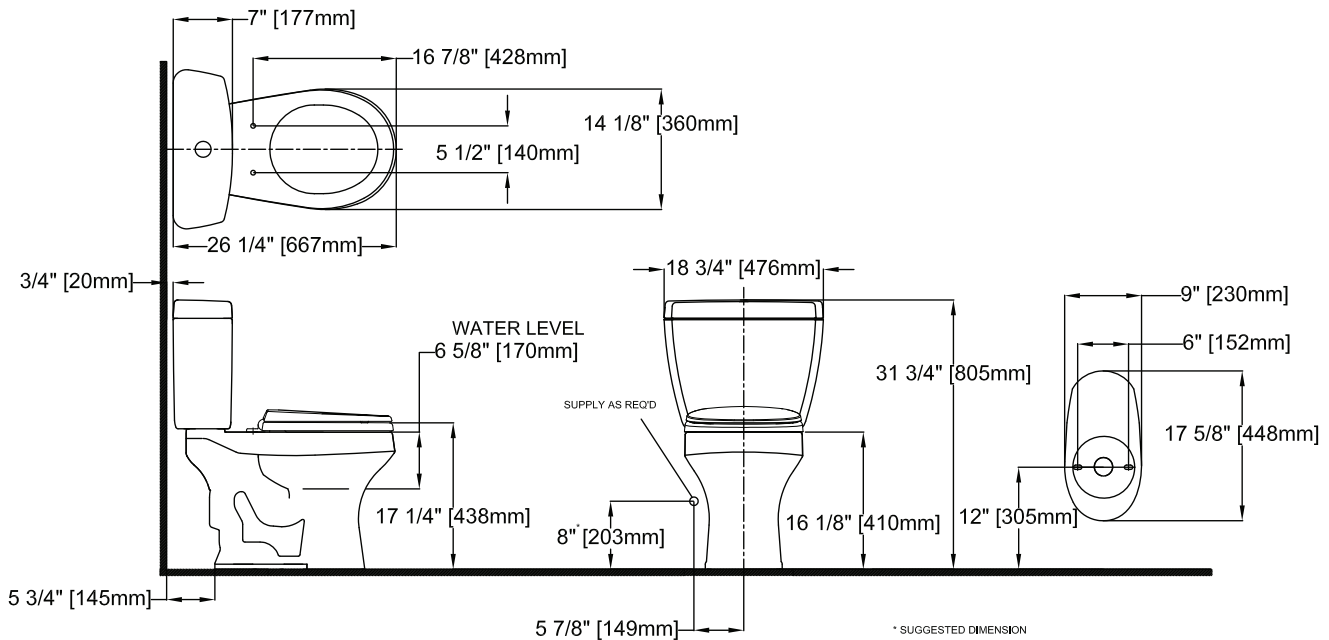
INSTALLATION NOTES

Back-to-Back Toilet Installations:

TOTO recommends the use of a nationally listed, double sanitary tee-wye only, in vertical waste stacks, in accordance with the stipulations noted in the majority of nationally recognized plumbing codes.



To maintain adequate wall gap between the back of the tank and wall, mount the floor flange at a nominal 12" rough-in distance.



TOTO

These dimensions and specifications are subject to change without notice