

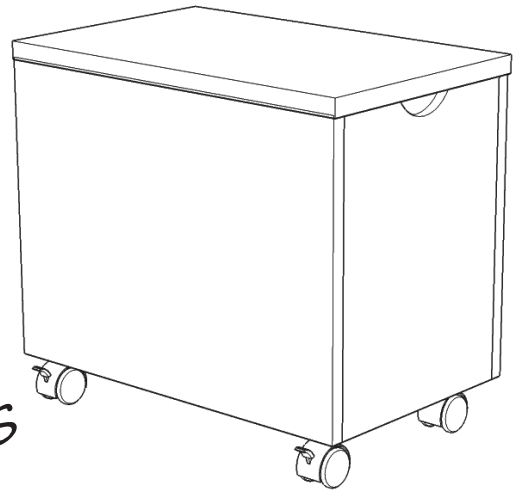
# 88 5079 01 Mobile File

## IMPORTANT NOTE

Carefully remove all the parts from the carton and put them individually on a soft cloth to prevent scratches or other damages occurring to the wood parts.

We have taken great care in the design of this product and request that you carefully and strictly follow our assembly instructions to ensure a completed product as it was designed.

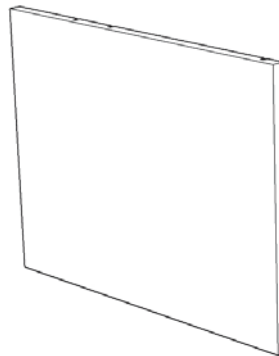
*Home  
Styles*



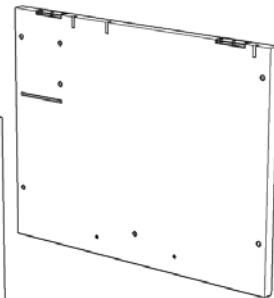
## Part List



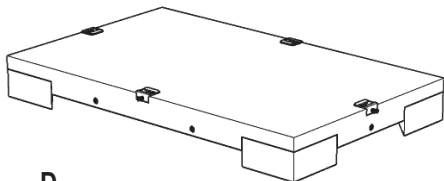
**A.**  
**Top**  
1 pc.



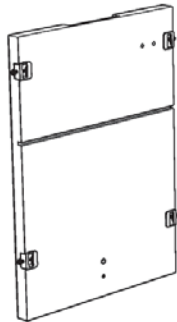
**B.**  
**Front Panel**  
1 pc.



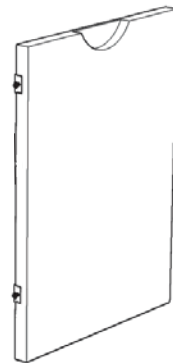
**C.**  
**Back Panel**  
1 pc.



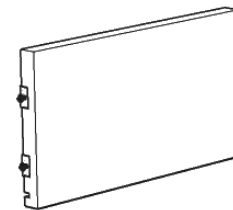
**D.**  
**Base**  
1 pc.



**E.**  
**Side Panel**  
1 pc.



**F.**  
**Side Panel**  
1 pc.



**G.**  
**Divider**  
1 pc.

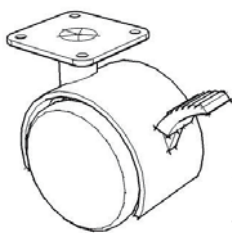


**H.**  
**Bottom**  
1 pc.

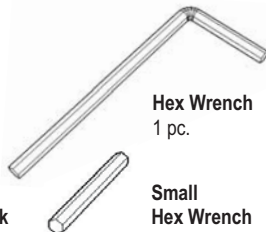


**I.**  
**Hanger**  
2 pcs.

## Hardware List



**Caster**  
2 Locking  
2 Non Lock  
4 pcs.



**Hex Wrench**  
1 pc.

**Small  
Hex Wrench**  
1 pc.

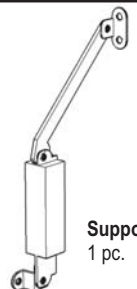


**M6x25  
Head Cap Bolt**  
6 pcs.(+1 extra)

**M3.5x16  
Wood Screw  
for Caster**  
16 pcs.(+1 extra)



**M3x16  
Wood Screw**  
10 pcs.(+1 extra)



**Support**  
1 pc.

**Tools required for assembly :** Phillips screwdriver

**Home Styles Consumer Assistance:** [www.homestyles-furniture.com](http://www.homestyles-furniture.com),  
[servicedesk@homestyles-furniture.com](mailto:servicedesk@homestyles-furniture.com), 888-680-7460, 877-831-0319

# Assembly Instructions 2/4

## IMPORTANT

- \* Do not tighten all the Head Cap Bolts until the entire unit is properly assembled.
- \* You should keep Hex Wrench in a safe place as you may need to tighten the Head Cap Bolts in the future.
- \* Use a soft cloth between these parts and the floor.

## STEP 1

Attach Support to Side Panel (E) with Wood Screws into the pre-drilled holes. (See Figure 1)

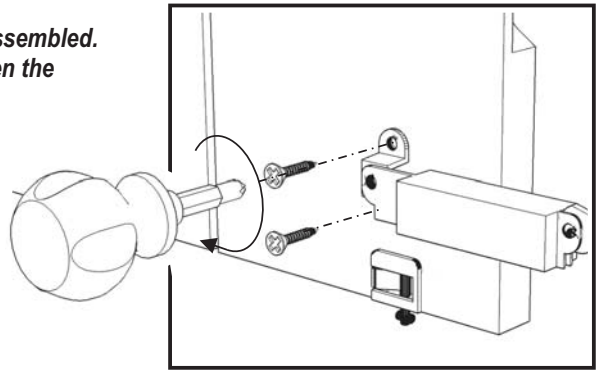


Figure 1

Attach Base (D) and Side Panel (E) to Back Panel (C), then flip the Locks. (See Figures 2 and 3)

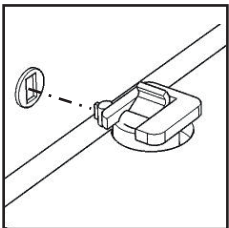


Figure 2

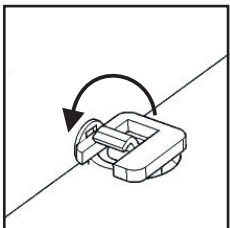
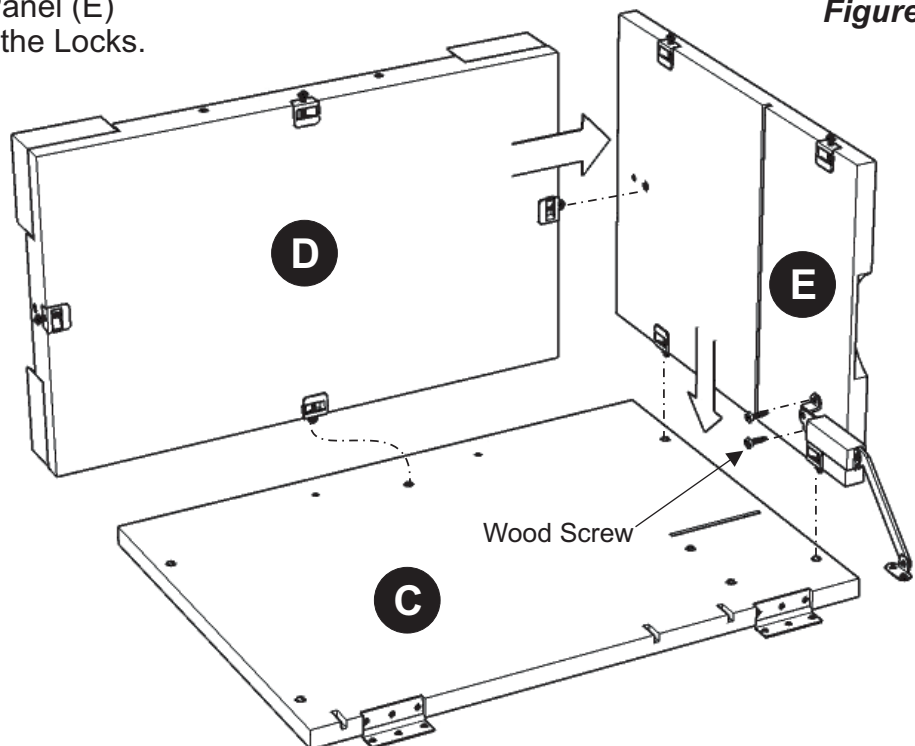


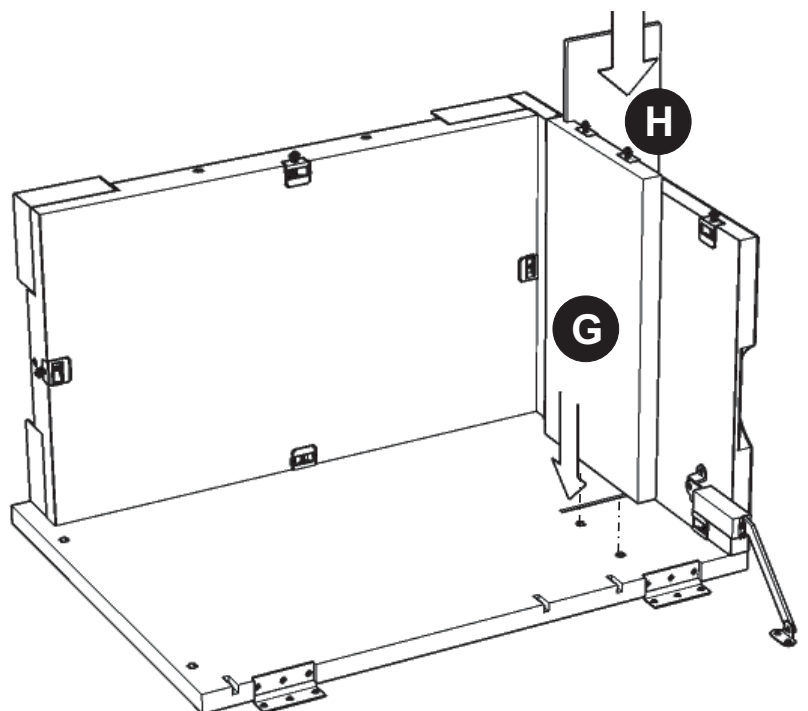
Figure 3



## STEP 2

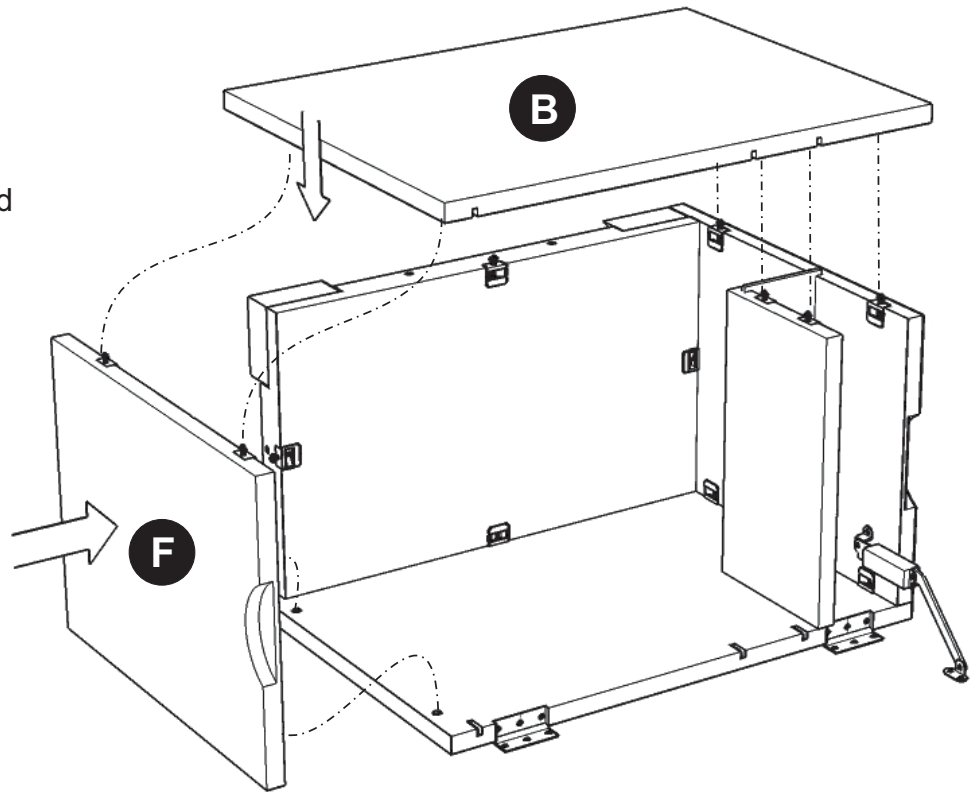
Attach Divider (G) to unit, then flip the Locks.

Slide Bottom (H) into position.



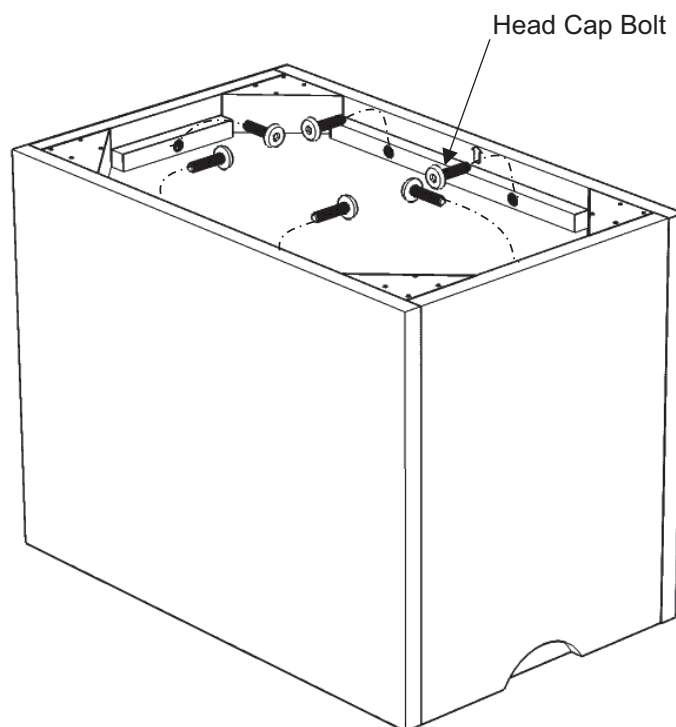
## STEP 3

Attach Side Panel (F) and Front Panel (B) to unit, then flip the Locks.



## STEP 4

Turn unit upside down.  
Attach Head Cap Bolts to unit.



## STEP 5

Attach Casters to unit with Wood Screws (for Caster), putting the Locking Casters at the front as indicated by 'Arrow' sticker. (See Figure 4)

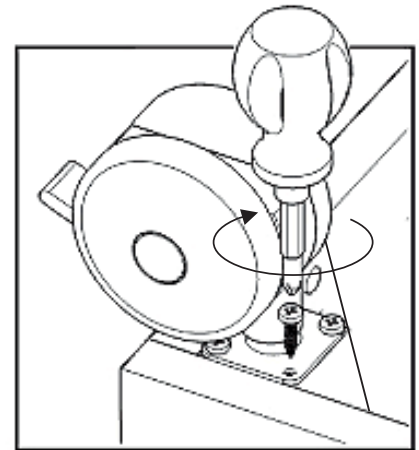
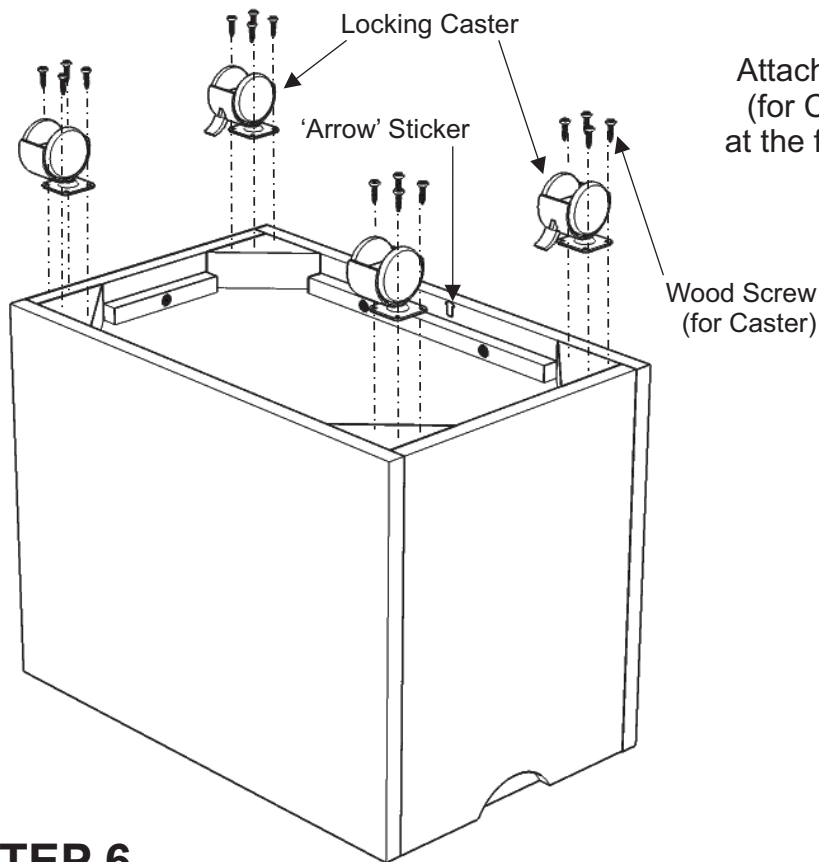


Figure 4

## STEP 6

Turn unit to its' upright position.

Attach Top (A) to unit with Wood Screws into the pre-drilled holes.

Slide Hangers (I) into place.

You can adjust the Hanger for letter size or legal size files. (See Figure 5)

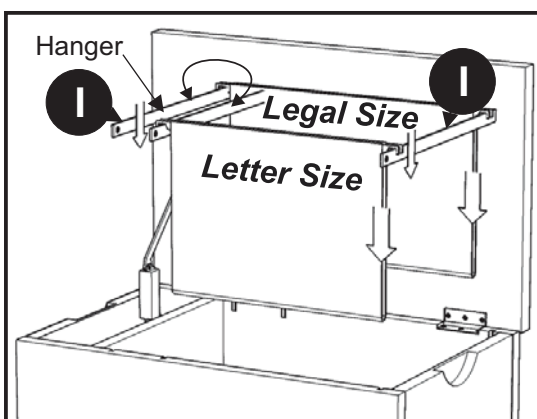
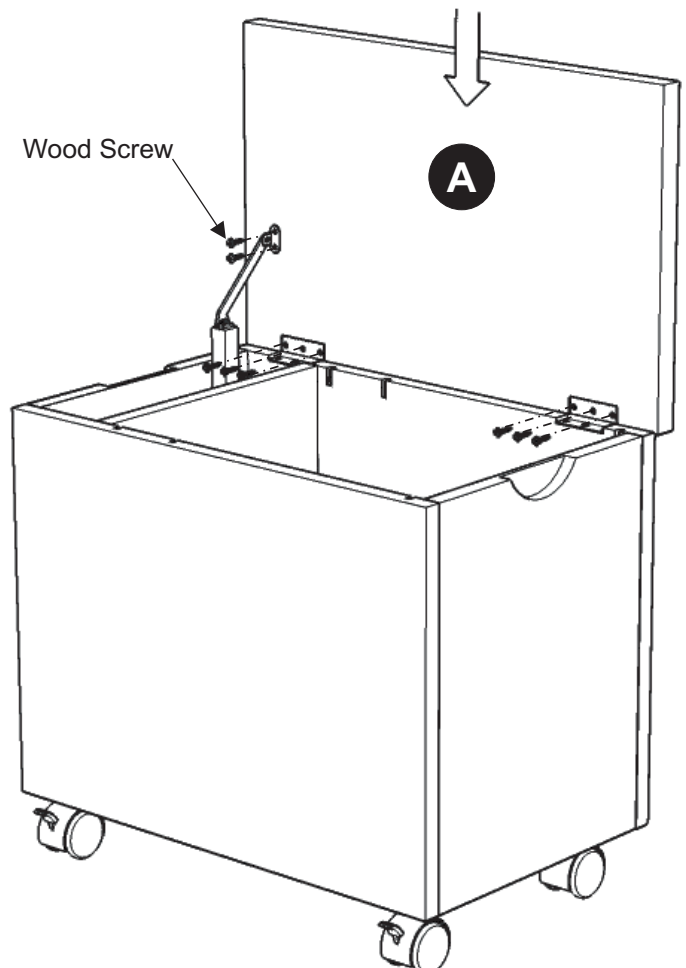


Figure 5