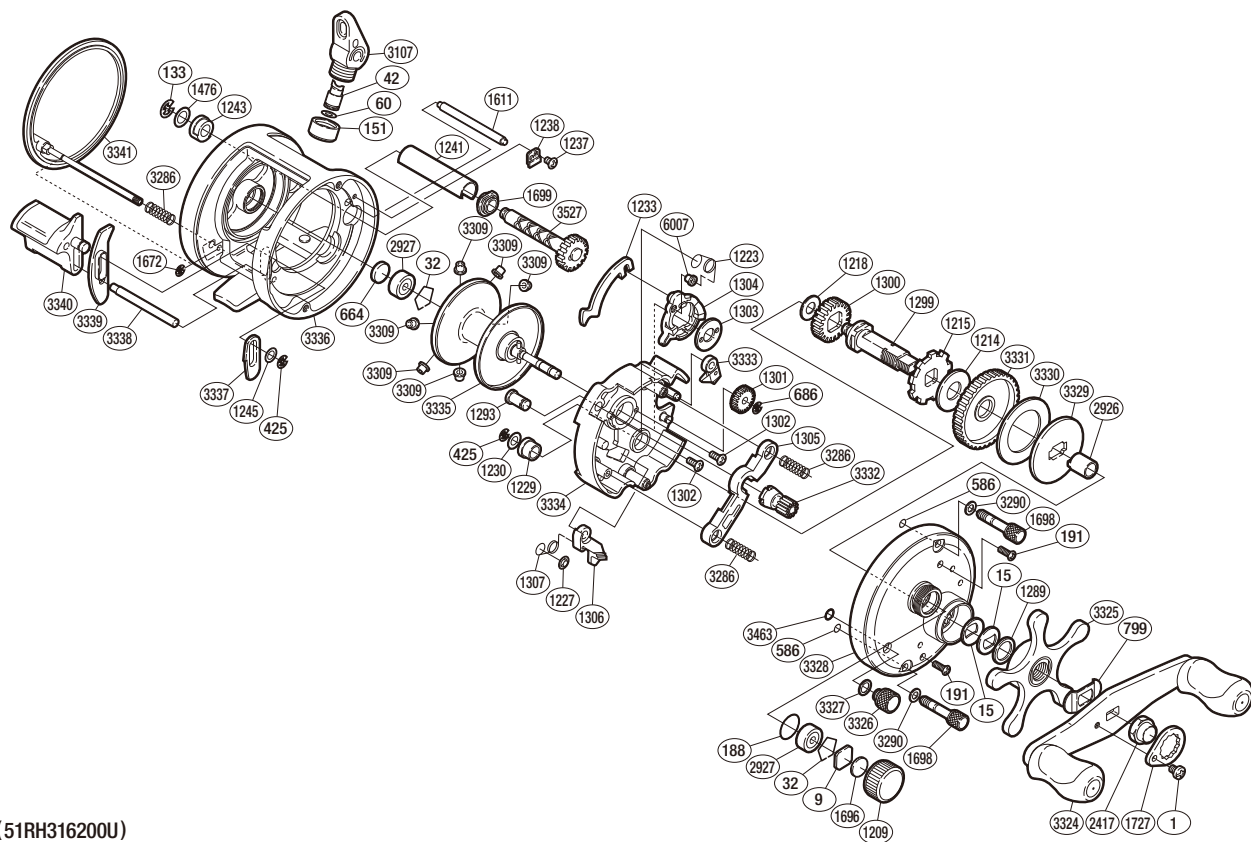


# SHIMANO

## CALCUTTA

## CT-200B



(51RH316200U)

#	Part No.	Description	#	Part No.	Description	#	Part No.	Description
1	10PVC	Screw	1238	10FTG	Worm Bushing A Retainer	3107	10KCG	Line Guide
9	105N0	Cast Control Spacer	1241	10NJM	Level Wind Guard	3286	104BH	Yoke Spring
15	10D60	Drag Spring Washer	1243	104SX	Worm Bushing B	3290	105EH	Washer
32	10GEW	Bearing Retainer	1245	10AUT	Spacer	3309	10CP8	Brake Collar
42	10FFZ	Line Guide Pawl	1289	10J1L	Star Drag Spacer	3324	103TK	Handle Assembly
60	10CFW	Spacer	1293	10PNE	Retractor Spring Pin	3325	10CE5	Star Drag
133	105NJ	E Lock	1299	105MN	Drive Shaft	3326	10C09	Side Plate Open Nut
151	10FJP	Pawl Cap	1300	10J7A	Idle Gear A	3327	10HWP	Washer
188	109EB	O Ring	1301	105GW	Idle Gear B	3328	10HLV	Right Side Plate
191	10MPT	Screw	1302	103N8	Screw	3329	10D3Z	Key Washer
425	105NE	E Lock	1303	10F62	Clutch Cam Retainer	3330	10723	Drag Washer
586	10FMS	O Ring	1304	10K1Q	Clutch Cam	3331	10Q0U	Drive Gear
664	1057S	Spacer B	1305	1047F	Yoke	3332	109JP	Pinion Gear
686	105NK	E Lock	1306	10637	Clutch Pawl	3333	10MW4	Anti-Reverse Pawl
799	107QJ	Friction Washer	1307	1048S	Clutch Pawl Spring	3334	10Q7M	Set Plate
1209	10KJZ	Cast Control Cap	1476	10D69	Spacer	3335	10LD5	Spool Assembly
1214	10CJA	Drag Washer	1611	10GY2	Level Wind Guide	3336	10JWB	One-Piece Frame
1215	10D8D	Anti-Reverse Ratchet	1672	105NC	E Lock	3337	10AUJ	Clutch Bar Guide A
1223	1048E	Retractor Spring	1696	10896	Cast Control Spacer B	3338	10PT4	Clutch Bar Support
1227	109H9	Push Nut (Spn-2)	1699	10JZ6	Side Plate Bolt	3339	109C5	Clutch Bar Guide B
1229	10BQ2	Drive Shaft Bushing	1727	10QBJ	Handle Nut Plate	3340	10P5F	Quick-Fire II Clutch Bar
1230	10589	Spacer	2417	10FNN	Handle Nut	3341	1075D	Left Side Plate
1233	1091G	Clutch Plate	2926	10BPT	Roller Clutch Inner Tube	3463	10FMR	Nut Retainer
1237	10MP9	Screw	2927	105BZ	Ball Bearing	3527	10KKP	Worm Shaft
						6007	10F23	Retractor Spring Collar

Please note that the number of adjusting washers may not be the same as shown in the exploded views.  
(Adjustment will vary with each individual product.)

(241118)\_004