

# Installation Instructions

## Intelligent Toilet

Record your model number:  
Noter le numéro de modèle:  
Anoté su número de modelo: \_\_\_\_\_

Français, page 12  
Español, página 22

**KOHLER**<sup>®</sup>

# Thank You for Choosing KOHLER






---

Need help? Contact our Customer Care Center.

- USA/Canada: 1-800-4KOHLER (1-800-456-4537) Mexico: 001-800-456-4537
- Service parts: [kohler.com/serviceparts](http://kohler.com/serviceparts)
- Care and cleaning: [kohler.com/clean](http://kohler.com/clean)
- Patents: [kohlercompany.com/patents](http://kohlercompany.com/patents)

## Important Information

---

-  **WARNING: Risk of electric shock.** Disconnect the power before servicing.
-  **WARNING: Risk of electric shock.** Connect only to a properly-grounded dedicated circuit protected by a Class A Ground-Fault Circuit-Interrupter (GFCI)\*. Use 120 V, 60 Hz, 15 A service. Do not remove the grounding pin or use a grounding adapter.
-  **CAUTION: Risk of personal injury.** This product is heavy. Lift the toilet with two people, using proper lifting technique.
-  **CAUTION: Risk of hazardous gases.** If the new toilet is not installed immediately, temporarily place a rag in the floor flange.
-  **CAUTION: Risk of property damage.** This product is not intended to be installed where temperatures will drop below 32°F (0°C). The design of the toilet makes it difficult to remove all water from the tank. If frozen, the water could damage the tank resulting in leaking.

**IMPORTANT!** This product requires a minimum static pressure of 35 psi (241 kPa) for satisfactory rim wash performance. Maximum static pressure is 80 psi (552 kPa).

**IMPORTANT!** Use the supply hose and valve provided with the product. Do not reuse a previously installed hose and valve.

Follow all local plumbing and electrical codes.


Installation of a water-hammer arrestor is required.

\*Outside North America, this may be known as a Residual Current Device (RCD).

## Grounding Instructions

---

This product should be grounded. In the event of an electrical short circuit, grounding reduces the risk of electric shock by providing an escape wire for the electric current. This product is equipped with a cord having a grounding wire with a grounding plug. The plug must be plugged into an electrical outlet that is properly installed and grounded.

 **DANGER: Risk of electric shock.** Improper use of the grounding plug can result in a risk of electric shock.

If repair or replacement of the cord or plug is necessary, do not connect the grounding wire to either flat blade terminal. The wire with insulation having an outer surface that is green with or without yellow stripes is the grounding wire.

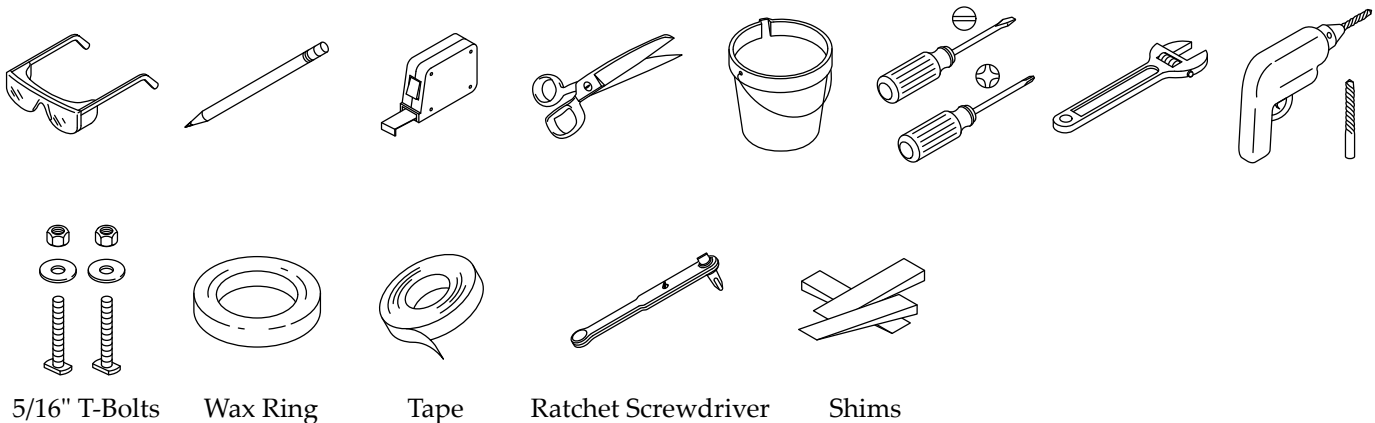
Check with a qualified electrician or service personnel if the grounding instructions are not completely understood, or if in doubt whether the product is properly grounded.

This product is factory equipped with a specific electric cord and plug to permit connection to a proper electric circuit. Make sure that the product is connected to an outlet having the same configuration as the plug. No adapter should be used with this product. Do not modify the plug provided — if it will not fit the outlet, have the proper outlet installed by a qualified electrician. If the product must be reconnected for use on a different type of electric circuit, the connection should be made by qualified service personnel.

Do not use an extension cord with the product.

## Tools and Materials

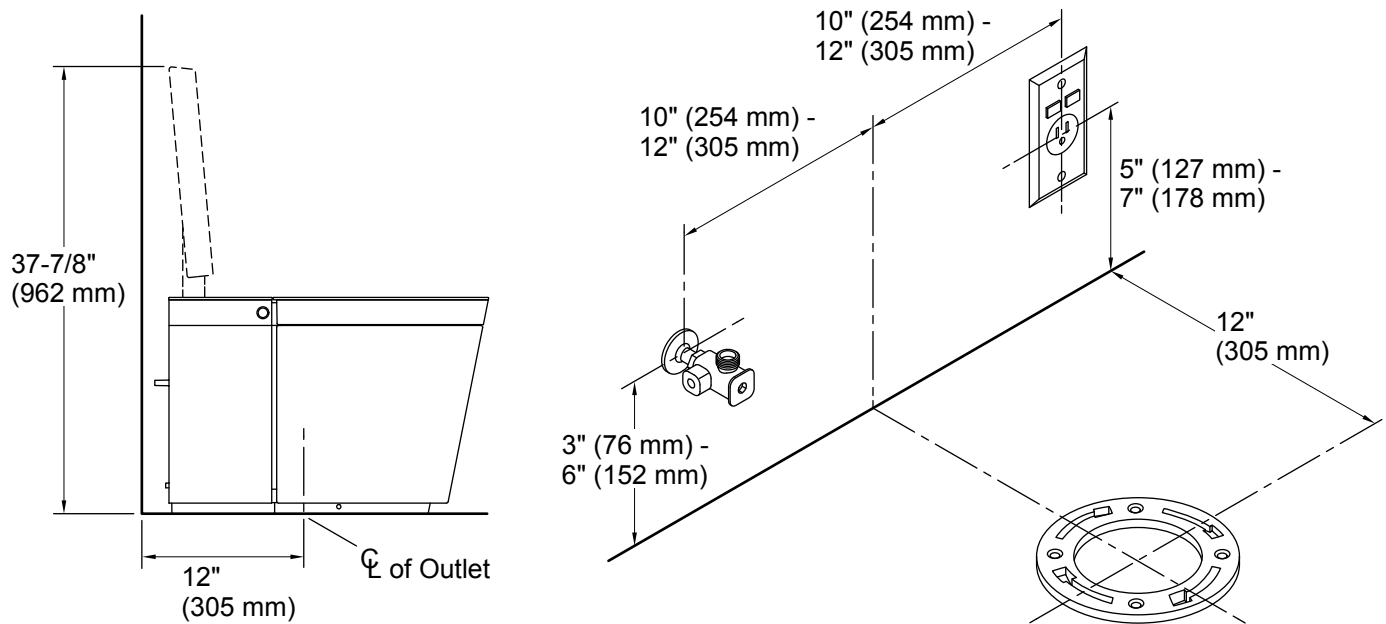
---



### Plus:

- Protective Material
- Water Hammer Arrestor
- Plastic Wrap (Optional)

## 1. Prepare the Site



**NOTICE:** Do not locate the supply stop or electrical outlet directly behind the toilet. The locations illustrated above are suggested. Make sure that all installations adhere to applicable codes.

**IMPORTANT!** Do not install items behind the toilet that will interfere with the cover when it is raised. Decorative items should be at least 38" (965 mm) high to allow clearance for the cover.

**NOTE:** If the rough-in distance is less than 12" (305 mm), the cover may strike the wall when it is opened. Before installing the toilet, confirm that the center of the floor outlet is 12" (305 mm) from the finished wall.

The toilet is equipped with a motion sensor to automatically open the cover when movement is sensed. This sensor has a maximum range of 51-1/2" (1300 mm). Sensitivity can be adjusted or turned off using the KOHLER Konnect app.

The toilet is equipped with a sensor to automatically open the seat when the light is interrupted. The light sensor is located on the right side of the toilet and has a maximum range of 8" (203 mm). Keep this area free from obstructions.

### Install the Water Supply

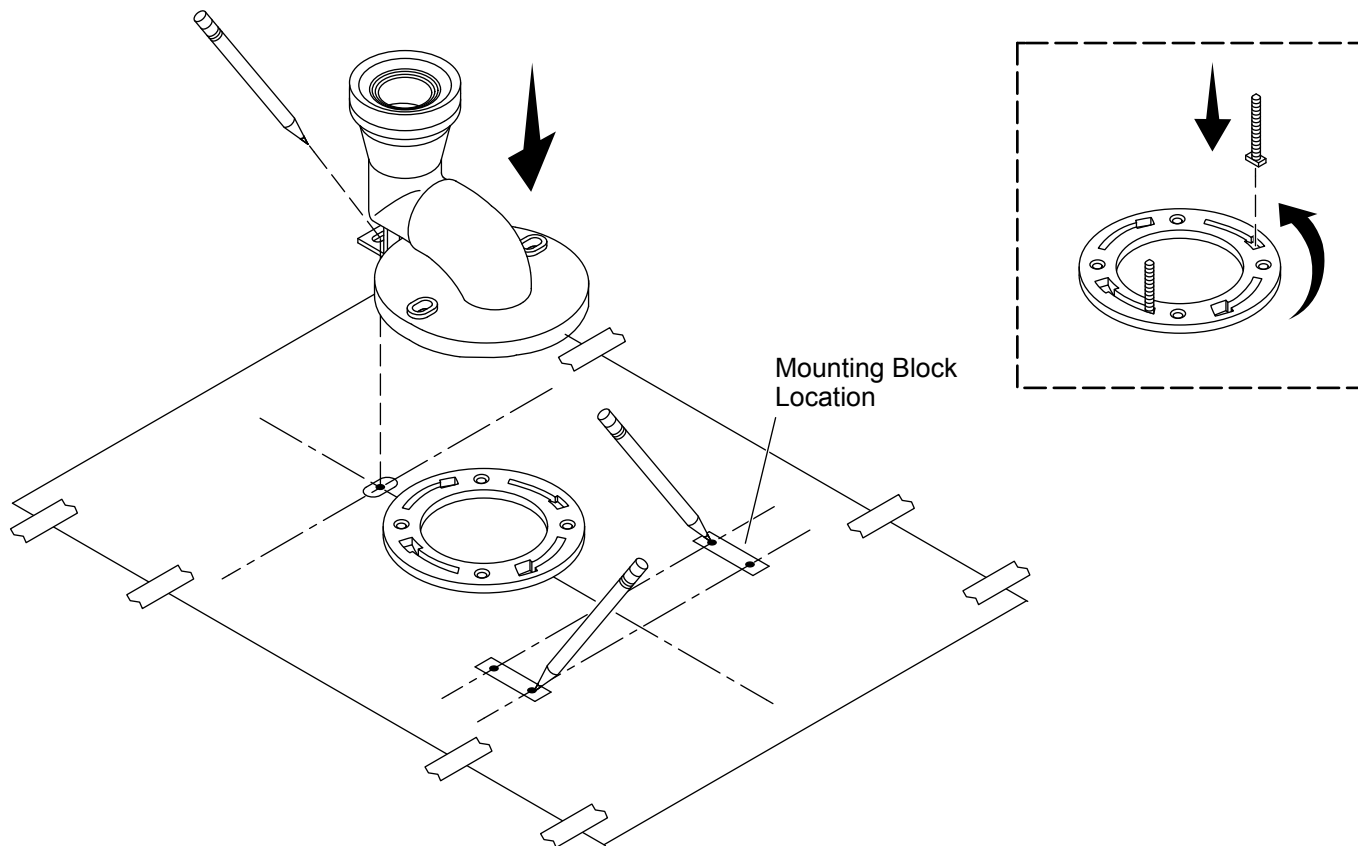
- Install the water supply stop.
- Install a water-hammer arrestor to the supply stop or water supply line.
- Flush the water supply line into a bucket or other container to remove debris.

### Install the Electrical Service

**NOTE:** The toilet power cord is 56" (1422 mm) in length.

- Locate a dedicated 120 V, 15 A minimum, 60 Hz grounding-type receptacle, protected by a GFCI or RCD, within 56" (1422 mm) from the back of the toilet.

## 2. Mark the Mounting-Hole Locations

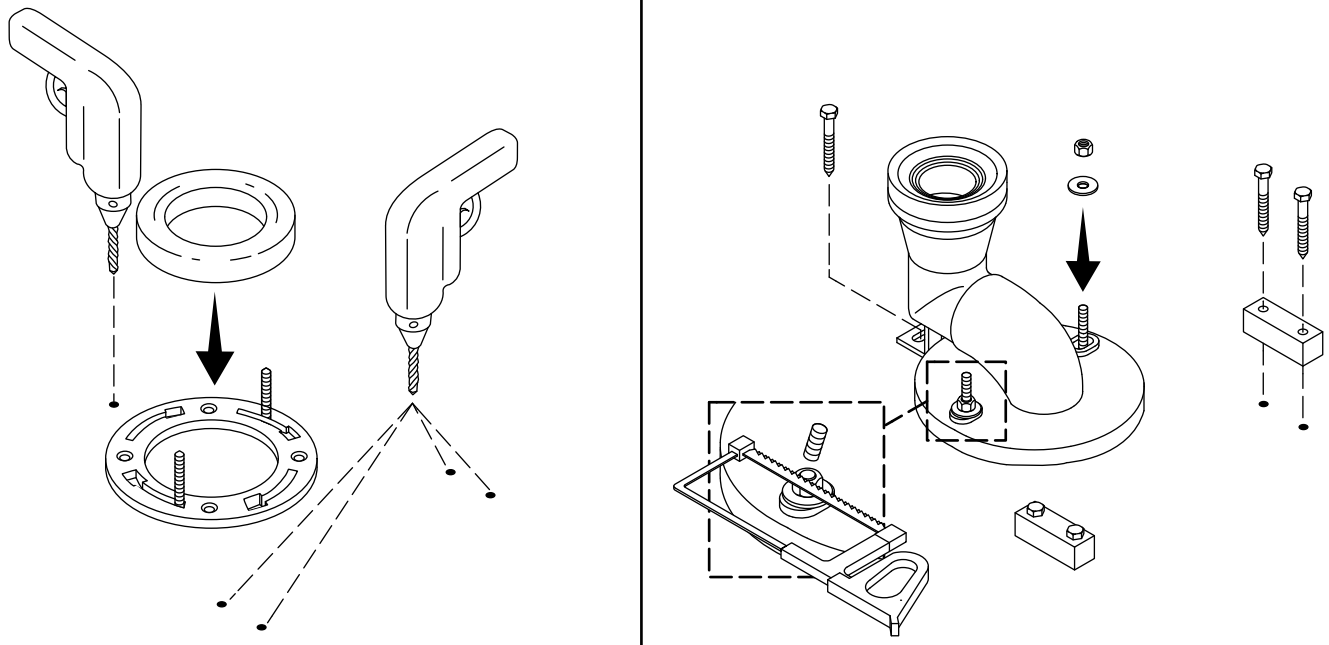


**⚠ CAUTION: Risk of hazardous gases.** If the new toilet is not installed immediately, temporarily place a rag in the floor flange.

- Set the trapway in place over the flange.
- Mark the mounting hole at the back of the trapway.
- Remove the trapway from the flange and set aside.
- Tape the template in position over flange, and align the trapway hole locations with the marks on the floor.
- Mark the four hole locations for the mounting blocks.
- Remove the template.
- Install two 5/16" diameter T-bolts into the floor flange.

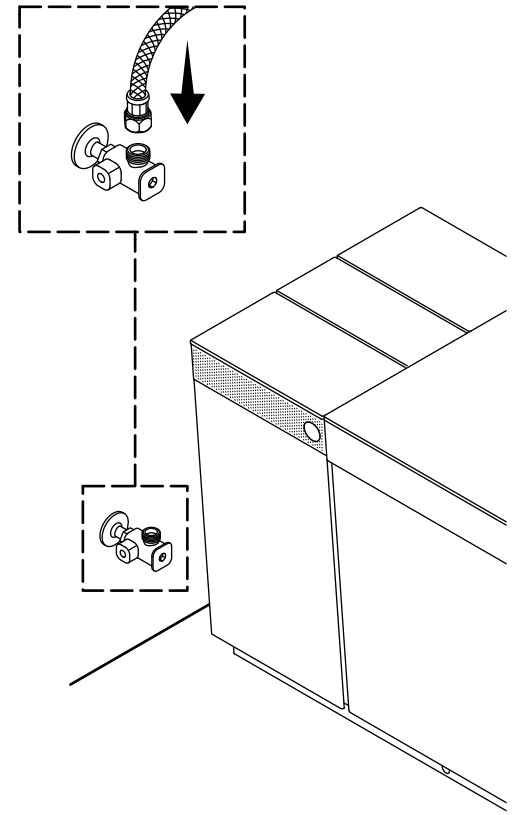
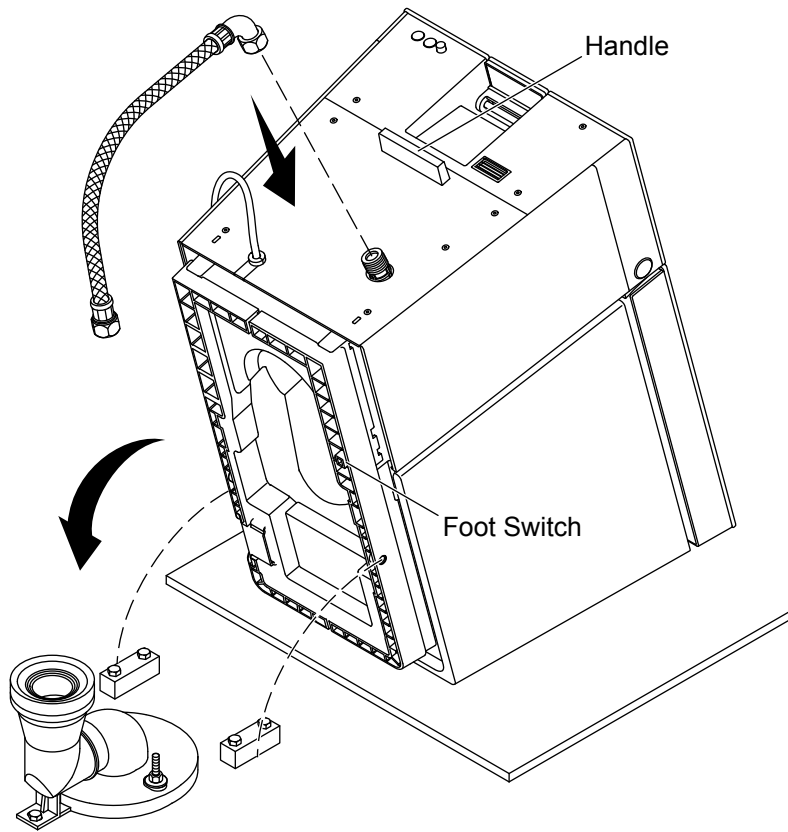
### 3. Install the Trapway and Mounting Blocks

---



- At the trapway hole location, drill a 3/16" (5 mm) pilot hole or a 1/2" (13 mm) hole if an anchor will be used.
- At the four mounting block hole locations, drill 3/16" (5 mm) pilot holes or 1/2" (13 mm) holes if anchors will be used.
- If anchors will be used, insert a supplied anchor in each of the holes.
- Position a wax ring on the flange.
- Carefully position the trapway over the flange, aligning the mounting hole.
- Install the washers and nuts to the T-bolts (not provided).
- Cut off the T-bolts directly above the nuts.
- Secure the back of the trapway with a 3/8" lag bolt (provided).
- Position the mounting blocks over the mounting holes.
- Secure each of the mounting blocks with two of the supplied lag bolts.

## 4. Install the Toilet



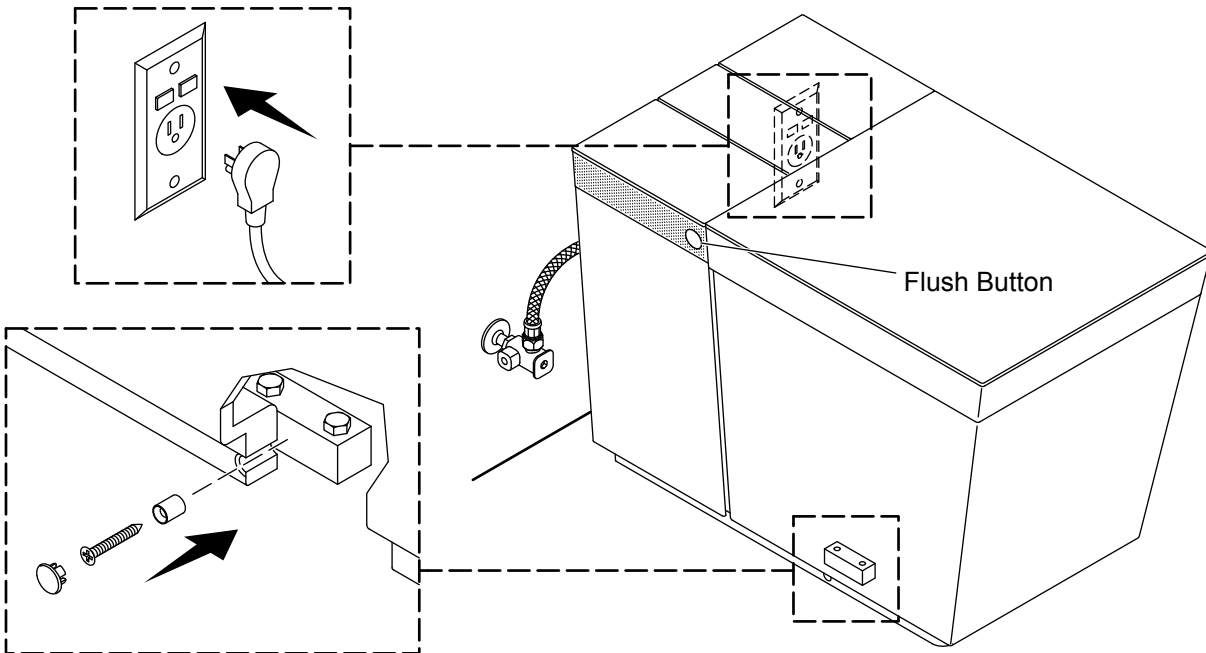
**IMPORTANT!** When installing the supply hose, connect it to the toilet first, then the supply stop.

**NOTE:** There may be a small amount of biodegradable, environmentally safe antifreeze in the toilet tank to prevent freezing during shipment. When the toilet is tipped forward, some antifreeze may leak. Make sure that the floor is protected. Do not use a rug as protective material.

- Position pieces of the box or other protective material on the floor directly in front of the installation location.
- Gently tilt and rest the front surface of the toilet onto the protective material.
- Press the foot switch fully into the plastic base. The foot switch disables the backup battery during shipping. If the foot switch is not fully pressed in, this could prevent the toilet from being level.
- Connect the supply hose to the toilet inlet.
- Use the handle to carefully lower the toilet in place over the trapway and mounting blocks. Verify that the water supply line and electrical cord do not get pinched under the toilet.
- Connect the water supply hose to the supply stop.
- Turn ON the water supply.

## 5. Secure the Toilet

---

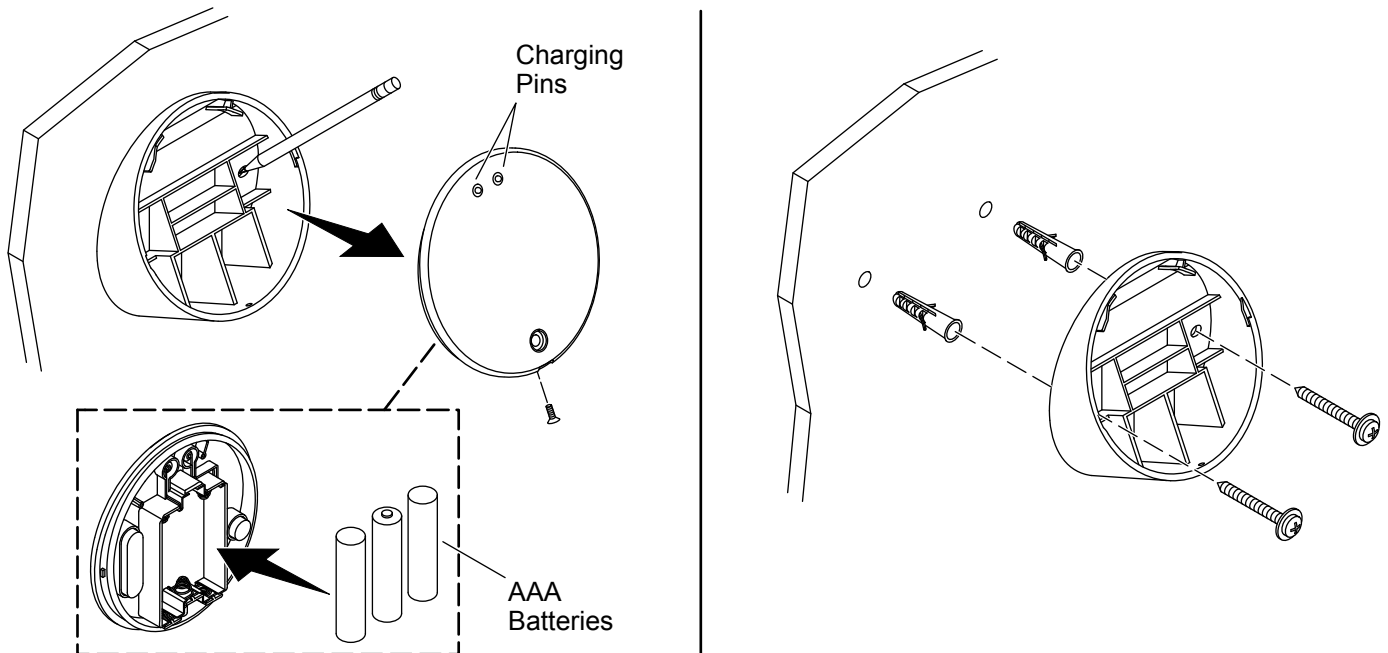


- Plug the power cord into the electrical outlet.
- Wait for the nightlight to stop blinking, indicating that the start-up procedure is complete.
- Press the flush button and let the toilet fully refill.
- Check all connections for leaks, and make adjustments as needed.
- Insert the bushing into the screw hole in the side of the toilet.
- Insert the supplied screws into the screw holes.

**NOTE:** A ratchet style screwdriver should be used to tighten the screws due to their close proximity to the floor. It is difficult to achieve enough force with a standard screwdriver, and there is a greater risk of stripping the screws when a power driver is used.

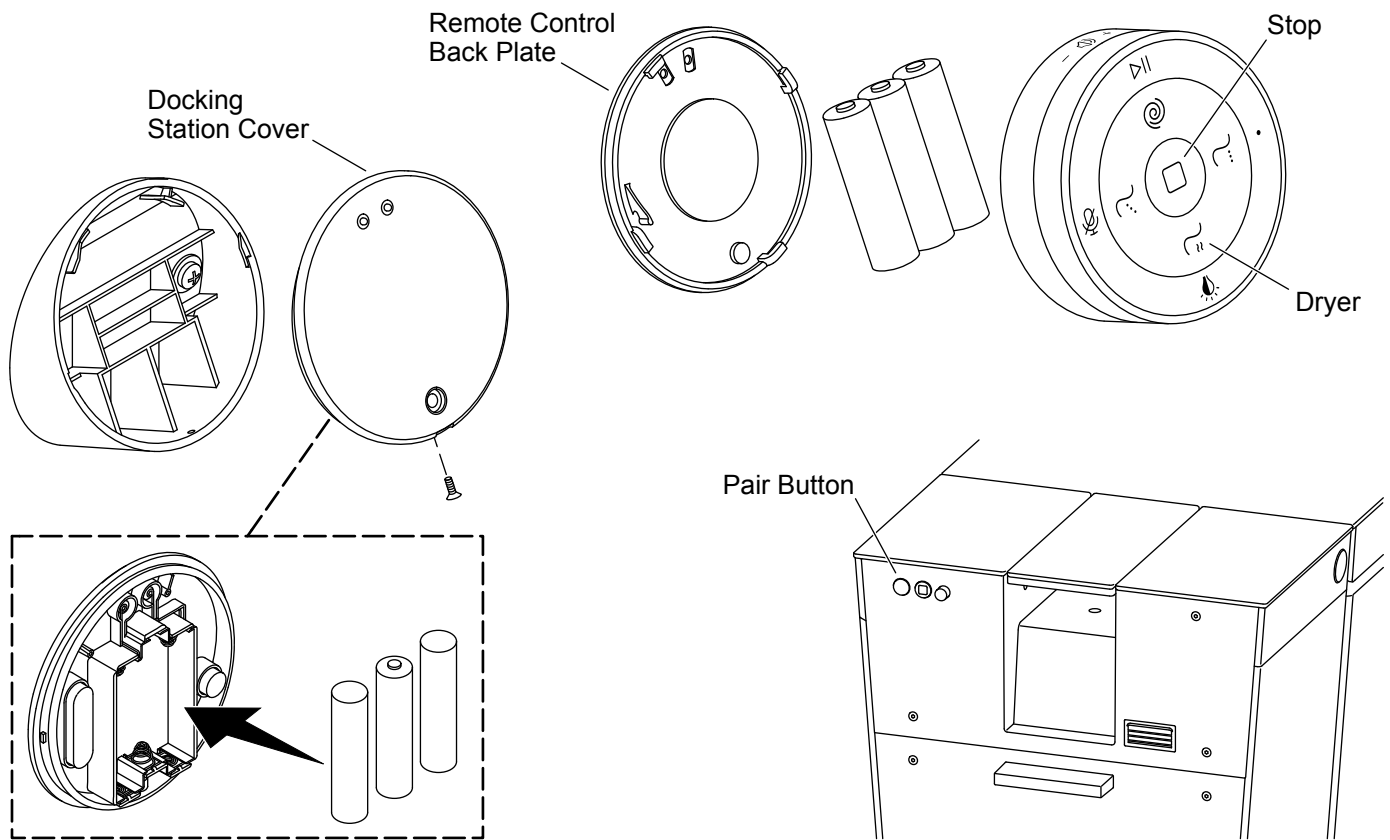
- Thread each screw into the mounting blocks. Tighten the screws evenly to maintain the correct toilet position.
- Install the caps over the bushings.
- Check the toilet to make sure it is level and does not rock.
- Shim if necessary to level or eliminate rocking.

## 6. Install the Remote Control Dock



- Remove and retain the screw from the cover of the remote control dock.
- Twist the cover to disengage from the dock.
- Position the docking station at the desired mounting location.
- Using a pencil, mark the two mounting-hole locations.
- For installation into a stud or other wood surface:** Drill a 1/16" (2 mm) hole at each of the marked locations.
- For installation using wall anchors:** Drill a 1/4" (6 mm) hole at each of the marked locations. Install the provided wall anchors into the holes.
- Position the docking station over the anchors or marks. Secure with the provided screws.
- Install the three provided AAA batteries in the compartment on the back side of the cover. Make sure that the batteries are oriented as shown.
- Reinstall the cover onto the dock and secure with the screw.
- Place the remote control on the docking station. Make sure that the charging ports engage the pins on the dock.
- Once charged, the remote control should automatically pair with the toilet. If the remote control loses connection with the toilet, refer to the "Remote Control - Setup" section for pairing instructions.

## 7. Remote Control Setup



### Charging the Remote Control

**NOTE:** The remote control must be charged to operate. When charging is needed, the indicator lights above the front and rear wash icons will be orange.

- Verify that three AAA batteries are properly installed in the docking station. Remove the screw from the bottom of the cover to access the battery compartment.
- Verify that three AA batteries are properly installed in the remote control. Twist and remove the backplate of the remote control to access the battery compartment.
- Place the remote control on the docking station.
- The remote control is fully charged when the indicator lights above the front and rear wash icons are no longer orange.

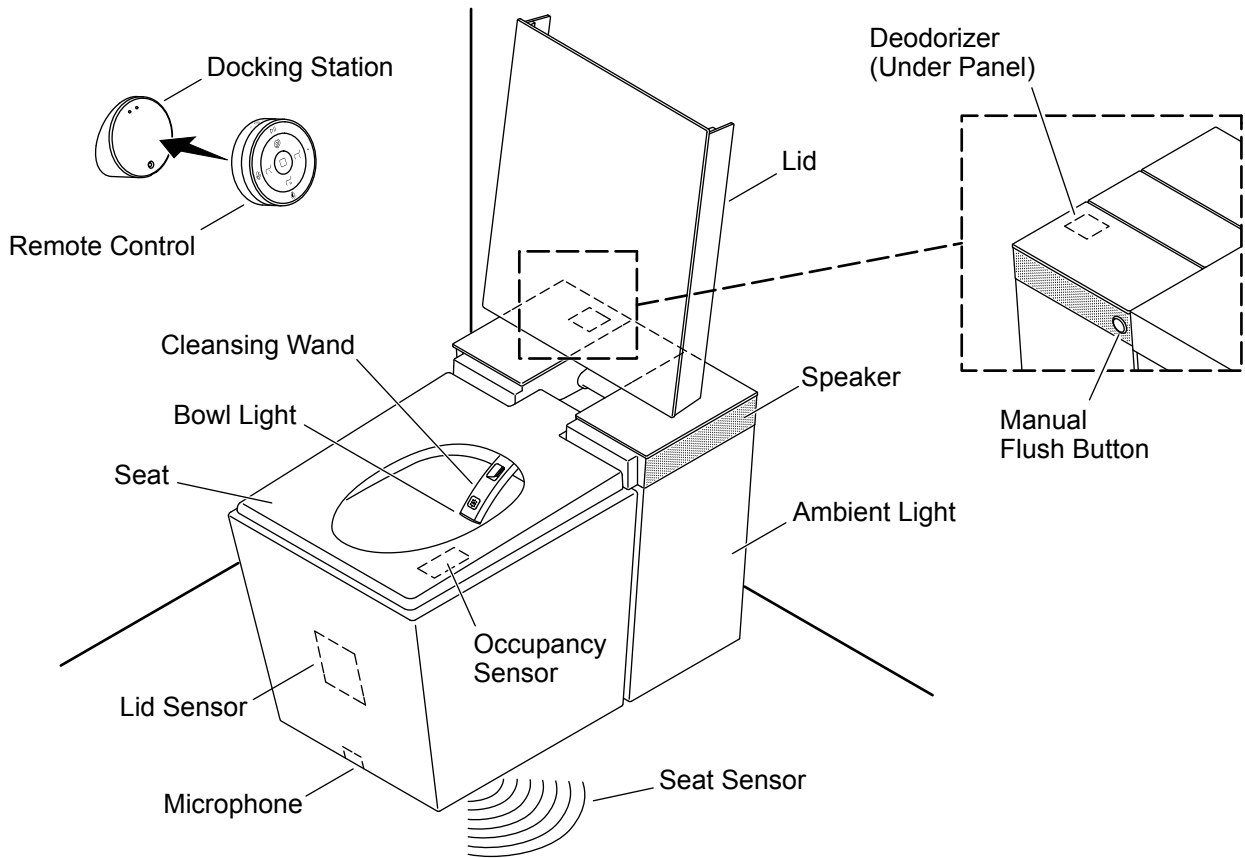
### Pairing to the Toilet

**NOTE:** The remote control cannot be paired while the toilet seat is occupied.

- Move the remote control within close proximity to the toilet.
- Press and hold the dryer icon on the remote control until the indicator lights above the icon flash.
- Press the pair button on the back of the toilet. When pairing is successful, the indicator lights will stop flashing.

## 8. Installation Checkout

---



**NOTE:** The toilet cleansing features will not function without an occupant. To test cleansing features, pressure must be applied to the occupancy sensor area.

**NOTE:** When testing the cleansing features, cover the seat with plastic wrap or cover the wand with your hand.

**NOTE:** To access additional toilet features and settings, download the KOHLER Konnect app to your mobile device and follow the on-screen instructions.

- Cover the cleansing wand with your hand or span plastic wrap across the seat.
- Use your hand or a wet cloth to apply pressure to the occupancy sensor area located on the front right side of the seat.
- Use the remote control or the KOHLER Konnect app to test the toilet features.
- Refer to the Homeowners Guide packed with the product for general troubleshooting aid.