

# Installation Guide

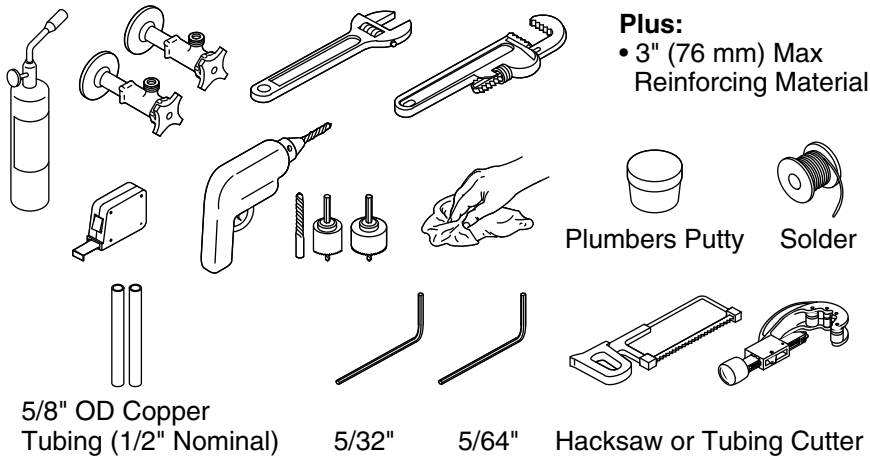
## Bath- or Deck-Mount Faucet

**M** product numbers are for Mexico (i.e. K-12345**M**)  
Los números de productos seguidos de  
**M** corresponden a México (Ej.  
K-12345**M**)  
Français, page“ Français-1”  
Español, página“ Español-1”

THE BOLD LOOK  
OF **KOHLER**®

1347030-2-A

## Tools and Materials



## Before You Begin



**WARNING: Risk of personal injury.** Do not install the bath faucet in an area where it may inadvertently be used for support by the bather.

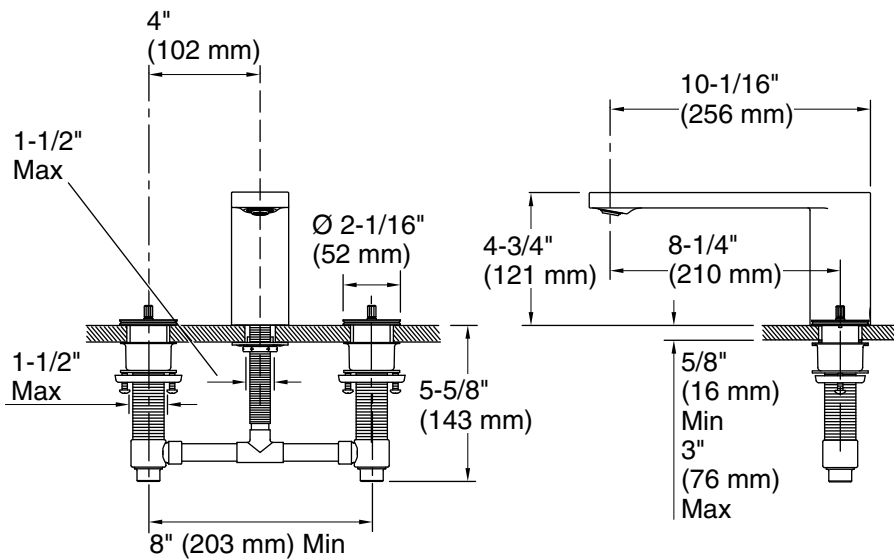


**CAUTION: Risk of property damage.** Select a cutting tool appropriate for the deck/rim surface type. Refer to the surface manufacturer's instructions for the proper cutting procedures.

**IMPORTANT!** Install on a finished deck only. This product cannot be installed on a rough deck.

**IMPORTANT!** Do not install the spout or handles to a bath valve other than the one included. The spout and handles are not compatible with other valves.

- Observe all local plumbing and building codes.
- Turn OFF the water supply.
- Protect the surface of the bath deck or rim during installation.



## Roughing-In

### 1. Prepare the Site



**CAUTION: Risk of property damage.** Select a cutting tool appropriate for the deck/rim surface type. Refer to the surface manufacturer's instructions for proper cutting procedures.

**NOTE:** To simplify future servicing, install an access panel to reach the plumbing.

**NOTICE:** In standard installations, locate the valve bodies 4" (102 mm) from the spout center, as shown in the diagram. The valve bodies may be installed anywhere on the deck. Adjust the dimensions as needed.

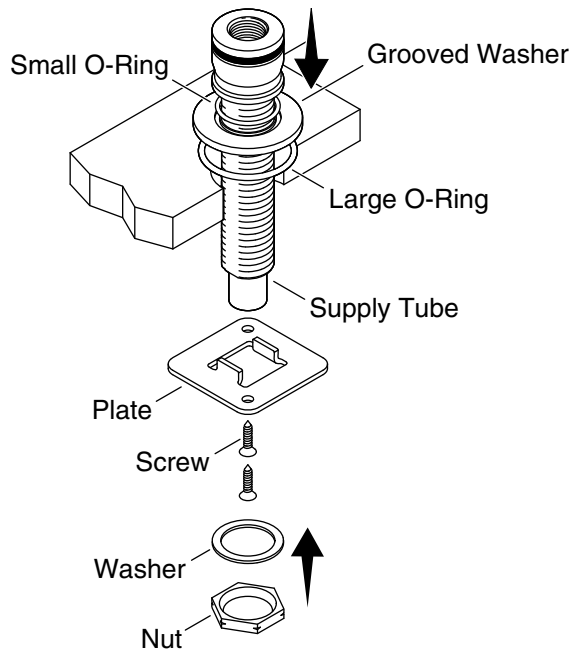
- Determine the mounting-hole locations for the spout and valves. Refer to the roughing-in dimensions illustrated for proper placement and diameter.

**Prepare the Site (cont.)**

- **For a finished bath deck/rim less than 5/8" (16 mm) thick:** Install wood reinforcement to the underside of the deck/rim. The combined thickness of the reinforcing material and the deck/rim must not exceed 3" (76 mm).

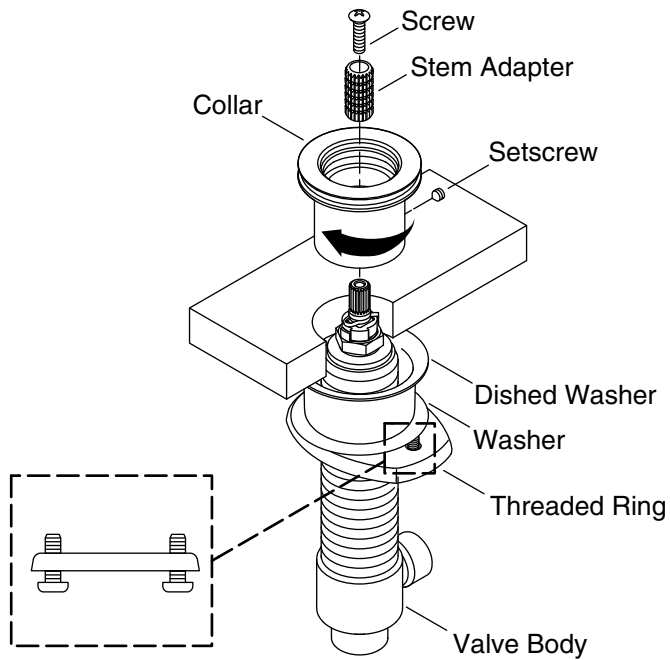
**NOTICE:** Do not exceed 1-1/2" (38 mm) hole diameters for the spout and valve body mounting holes. Maximum contact area is necessary for a successful installation.

- Carefully cut mounting holes for the spout and valve bodies.
- Install or relocate the water supplies as needed.



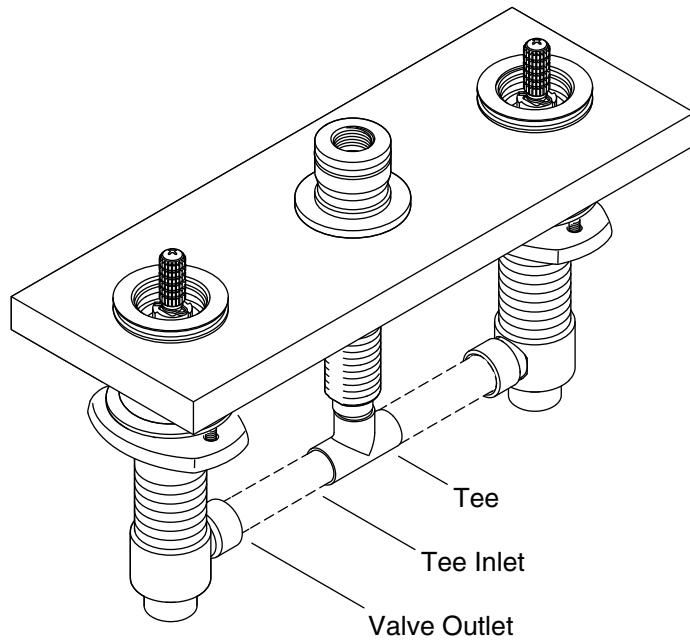
## 2. Install the Supply Tube

- Insert the large O-ring into the large groove in the washer, and the small O-ring in the small groove on the opposite side of the washer.
- With the large O-ring in the washer and facing down, position the washer over the mounting hole. Carefully insert the supply tube assembly through the washer and mounting hole.
- Orient the plate with the tabs up. Slide the plate onto the supply tube until flush with the underside of the deck/rim.
- Secure the plate to the underside of the deck/rim with the screws.
- Slide the flat washer onto the supply tube assembly, then thread the nut onto the supply tube assembly. Securely wrench-tighten the nut.
- Install the pipe plug (not shown) into the top of the supply tube.



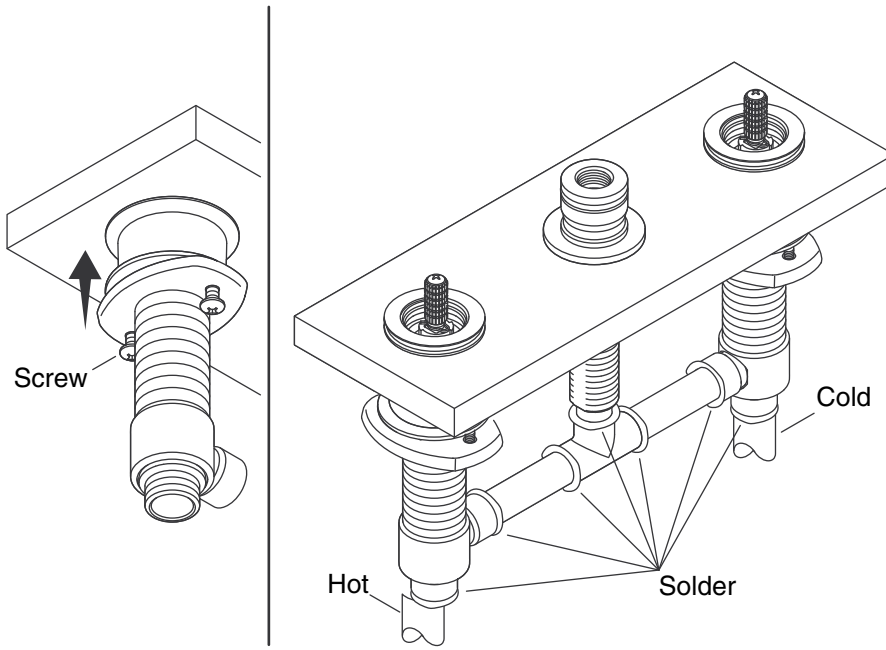
### 3. Install the Valve Bodies

- Measure the thickness of the finished deck. If the deck is less than 1-1/4" (32 mm), use a dished washer. If the deck is more than 1-1/4" (32 mm) thick, you may use or discard the dished washer.
- Apply plumbers putty or sealant to the underside of a collar.
- Partially thread two screws into a threaded ring as shown.
- Assemble a threaded ring, washer, and dished washer (if used) down one of the valve bodies as far as possible.
- From underneath, insert the valve body through the mounting hole.
- From above, thread the collar onto the valve until it stops.
- Lift up the valve body to expose the collar setscrew. Then tighten the collar setscrew.
- Insert the stem adapter to the valve stem and secure with a screw.
- Repeat for the second valve body.



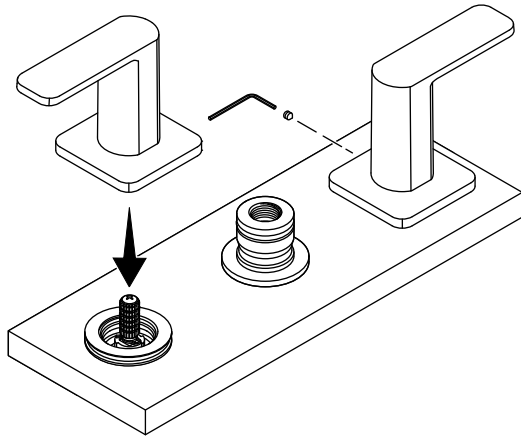
#### 4. Install the Tubing

- If the tee is not attached to the spout tube, attach it now.
- Measure the distance between the tee inlets and each valve body outlet.
- Cut the copper tubing to fit.
- Pivot the valve bodies, and install the two pieces of copper tubing.
- Confirm that the copper tubing has been cut to the correct length.



## 5. Secure the Valves

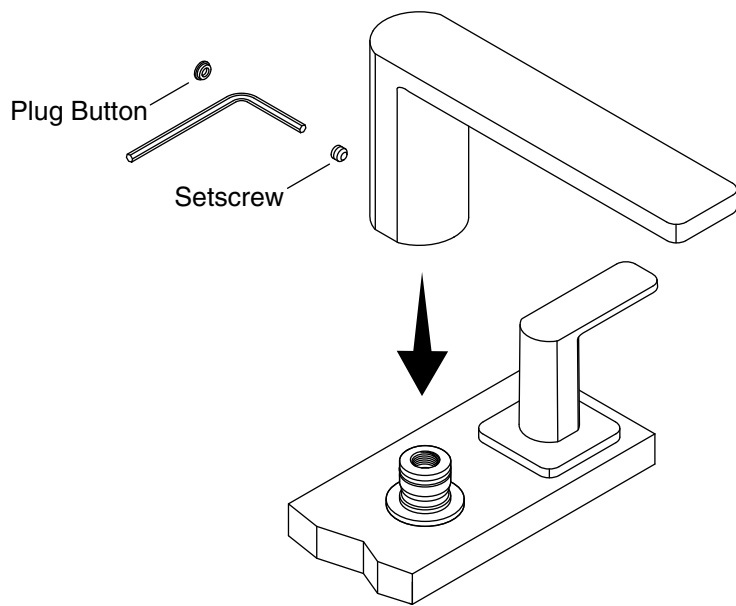
- Turn the threaded ring up each valve body until finger tight, then use a Phillips screwdriver to securely tighten the threaded ring screws.
- Clean away any excess plumbers putty from the deck.
- Connect the hot and cold valve bodies to the appropriate water supply lines.
- Solder the connections.



## 6. Install Handles

**NOTE:** Lever handles should be parallel to the bath rim when the handles are in the OFF position. The handles should point toward the bath when in the ON position.

- Align a handle assembly onto the collar. Secure the handle assembly with the setscrew.
- Repeat for the second handle.
- Open and close the handles to confirm alignment and unobstructed operation.



## 7. Complete the Installation

- Make sure that the faucet valves are closed.
- Open the water supplies to the faucet.
- Check for leaks, and repair as needed.
- Close the water supplies.
- Remove the plug button from the supply tube.
- Align the spout, and secure with the setscrew.
- Press the plug button into the setscrew hole.
- Turn the water supplies on.
- Run water through the spout, and check for leaks.