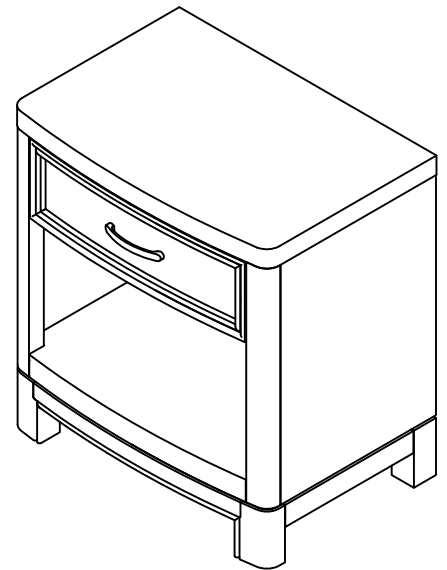


88 5549 42 Crescent Hill Night Stand



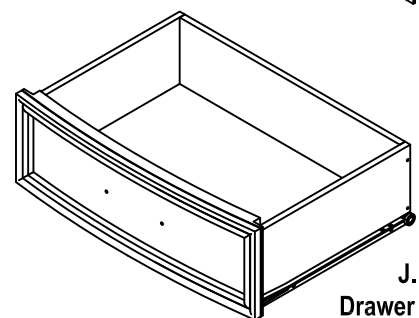
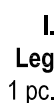
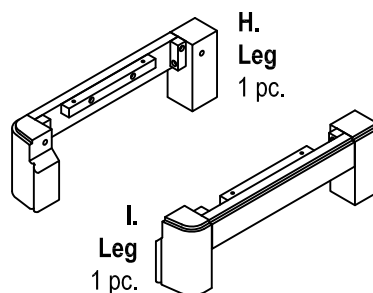
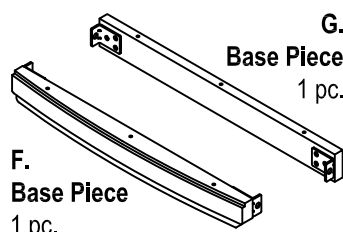
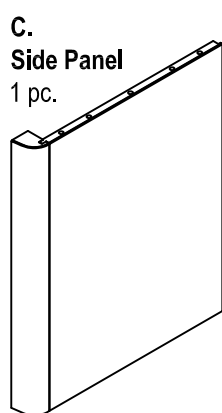
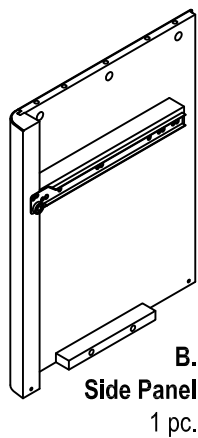
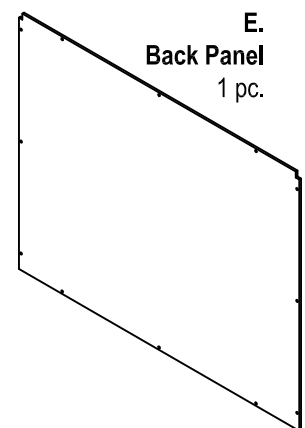
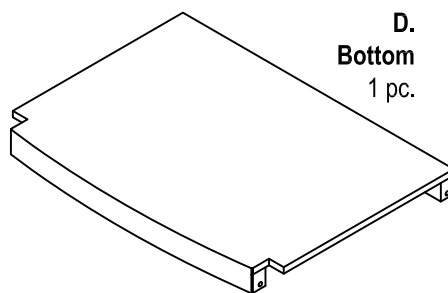
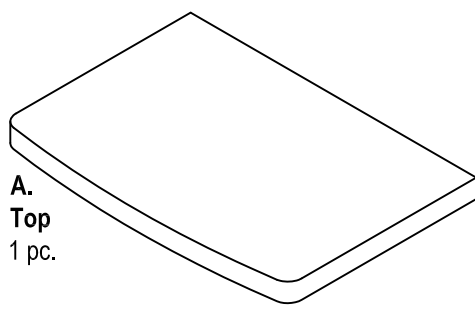
*Home
Styles*

IMPORTANT NOTE

Carefully remove all the parts from the carton and put them individually on a soft cloth to prevent scratches or other damage occurring to the parts.

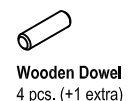
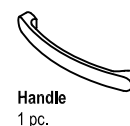
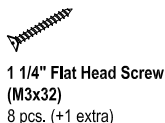
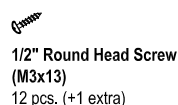
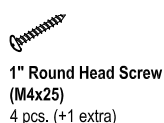
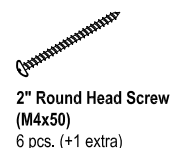
We have taken great care in the design of this product and request that you carefully and strictly follow our assembly instructions to ensure a completed product as it was designed.

Part List



(Please refer to the last page(s) of instructions for steps to complete drawer assembly)

Hardware List



Tools Required For Assembly : Phillips screwdriver

Tools Recommended For Assembly : Level

Home Styles Consumer Assistance: www.homestyles-furniture.com,
servicedesk@homestyles-furniture.com, 888-680-7460, 877-831-0319

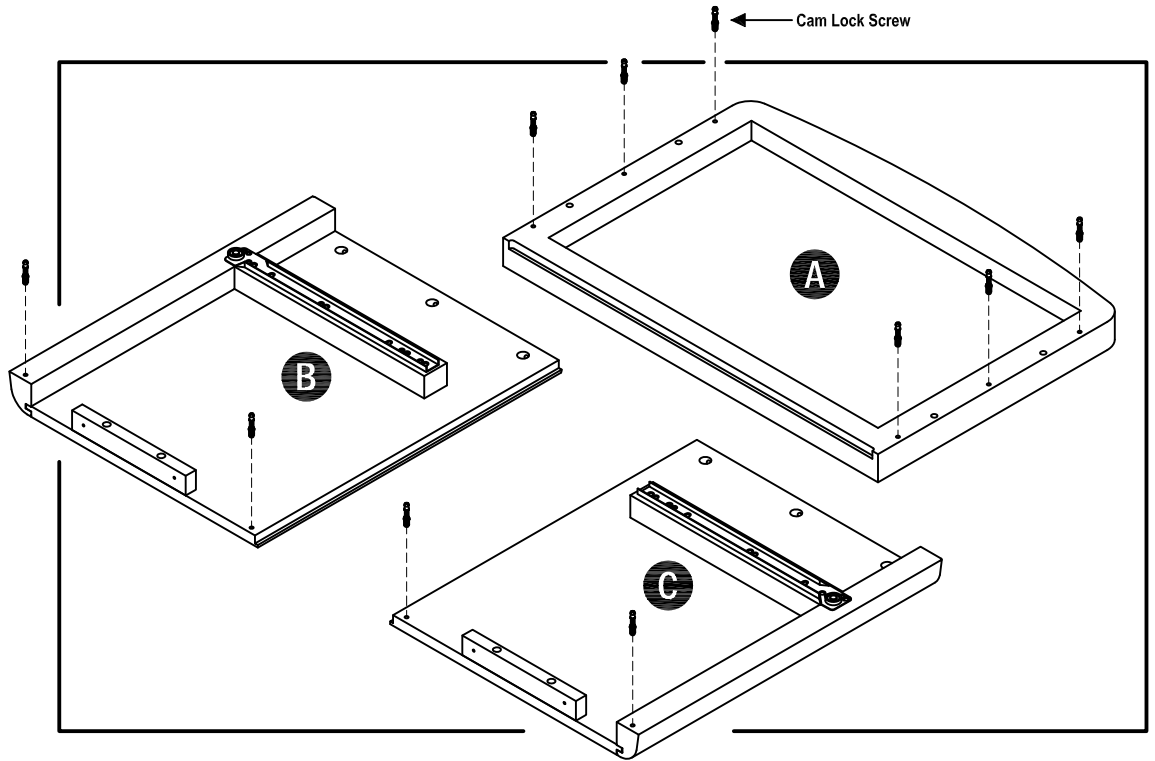
Assembly Instructions 2/6

IMPORTANT

- * Do not tighten up all the screws and bolts until each part is properly assembled.
- * Use a soft cloth between these parts and the floor.
- * After assembly, item must be level to work properly. Use the included adjustable levelers to level.

STEP 1

Insert Cam Lock Screws into the pre-drilled holes of Top (A), Side Panels (B) and (C).



STEP 2

Attach Bottom (D) to Side Panels (B) and (C) with Cam Locks. (see Figure 1)

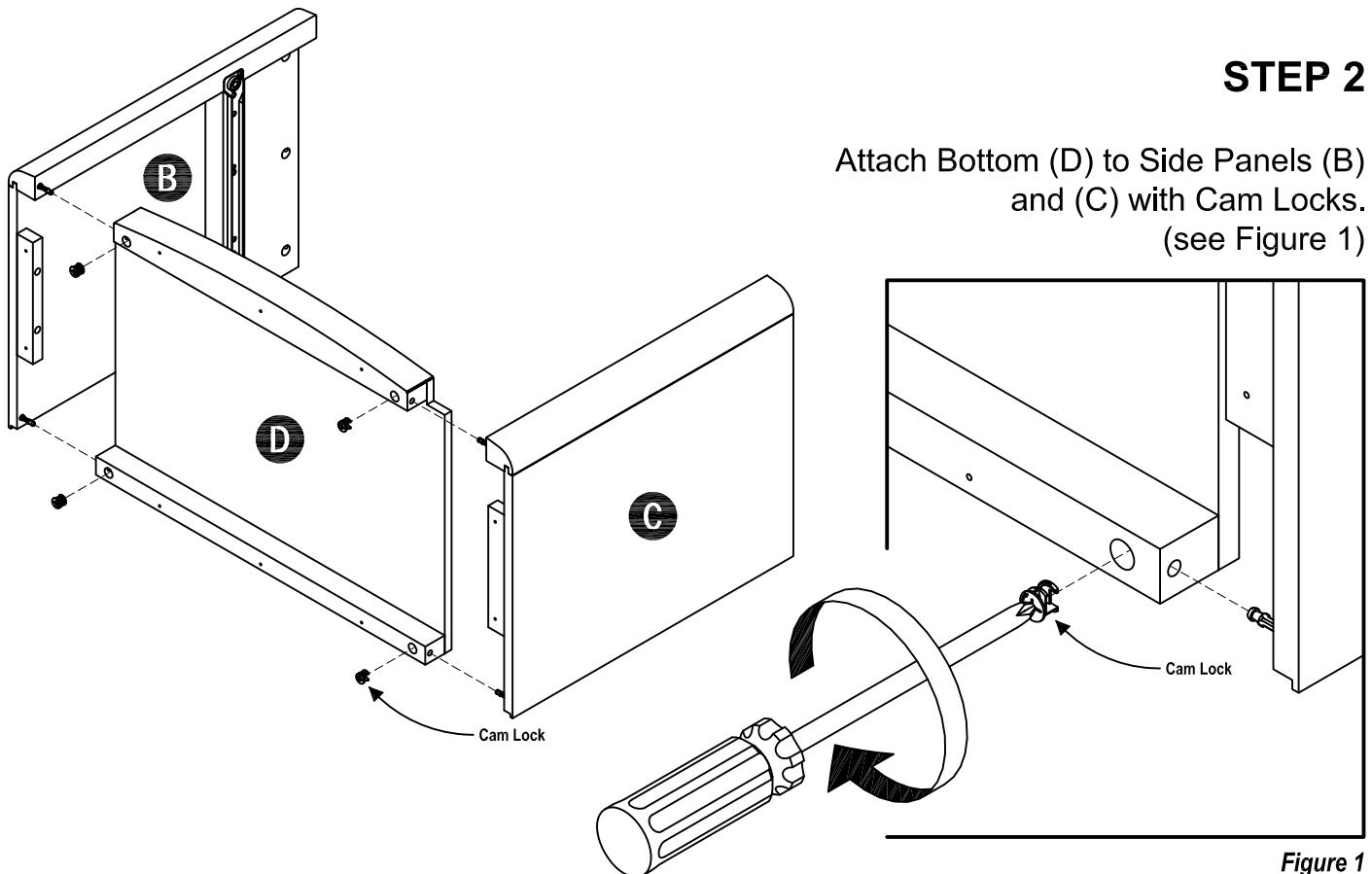


Figure 1

STEP 3

Attach Top (A) to unit with Cam Locks and Wooden Dowels.

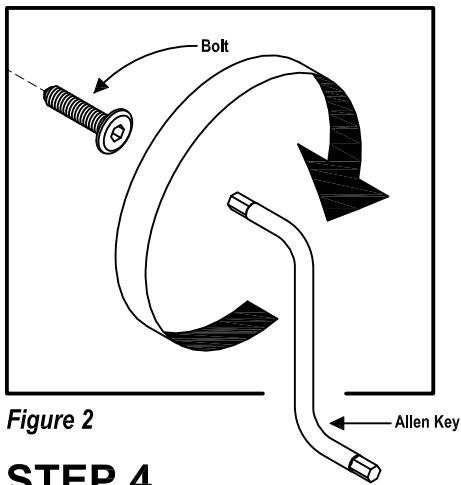
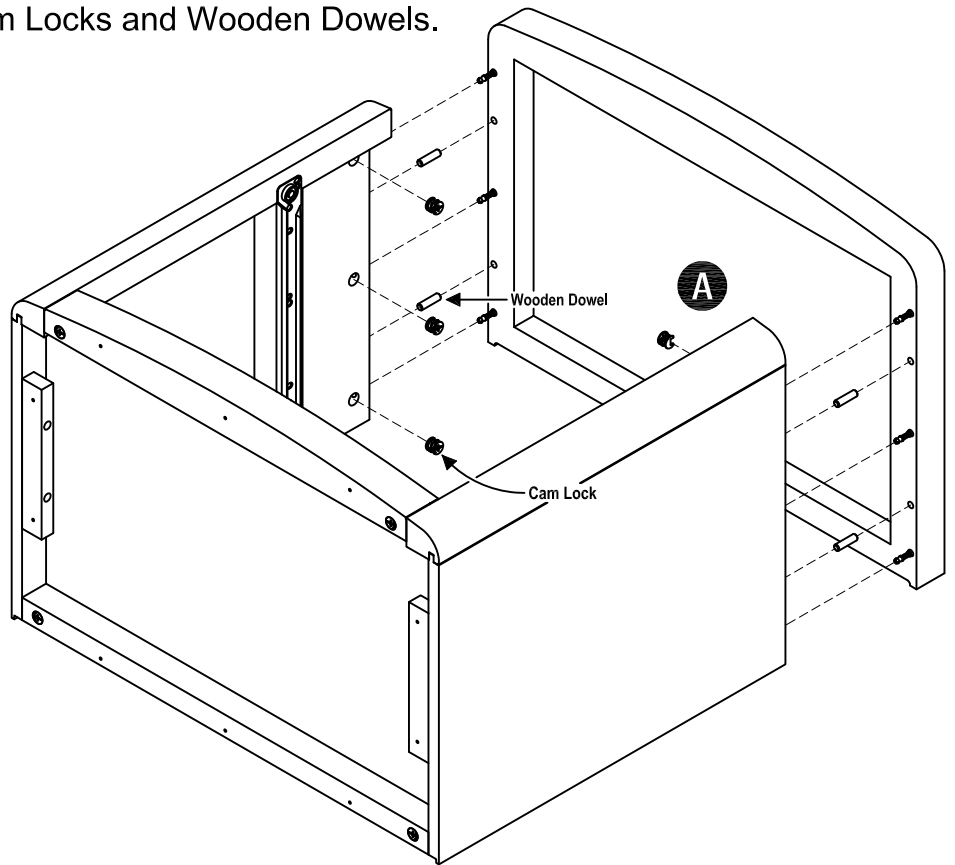
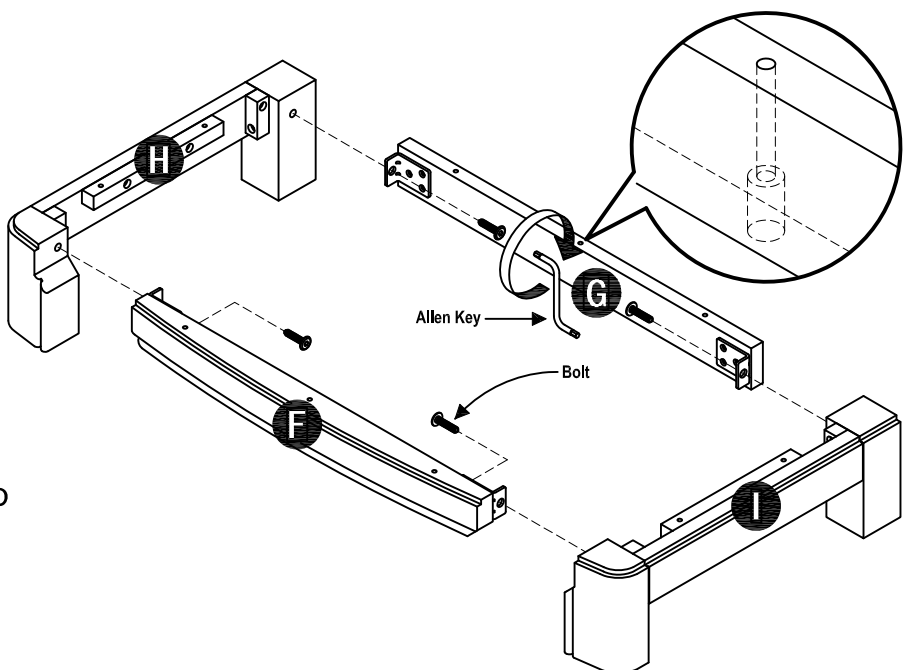


Figure 2

STEP 4

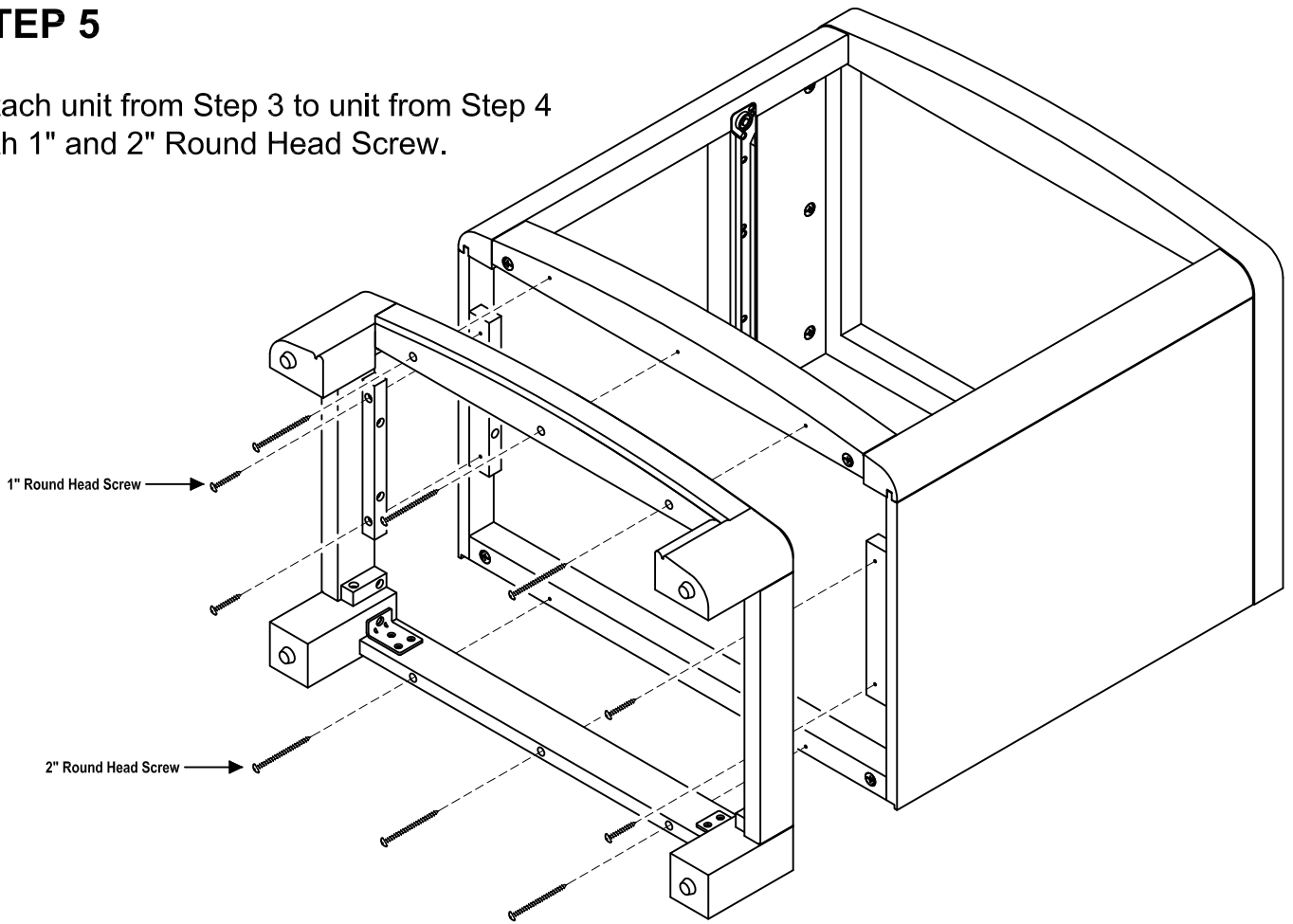
Attach Base Pieces (F) and (G) to Legs (H) and (I) with Bolts.

Tighten with Allen Key.
(see Figure 2)



STEP 5

Attach unit from Step 3 to unit from Step 4 with 1" and 2" Round Head Screw.



STEP 6

To level the unit, adjust the adjustable levelers on the bottom of the legs. (see Figure 3)

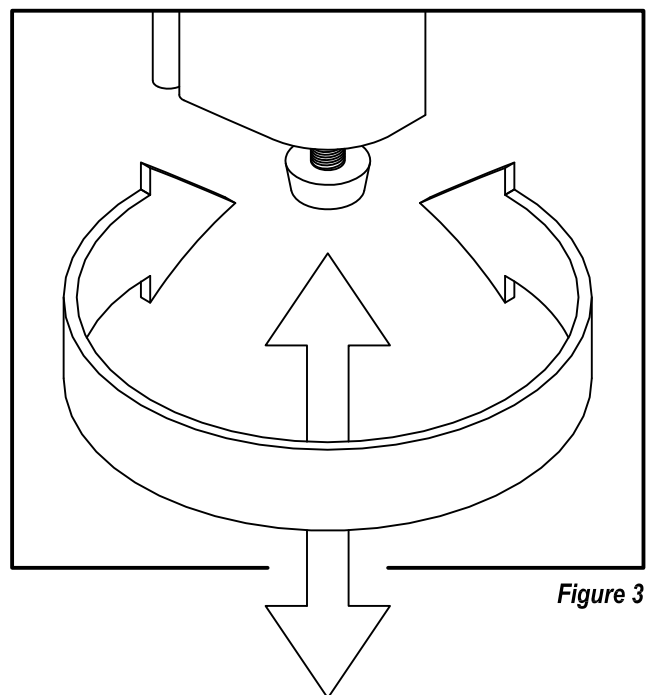


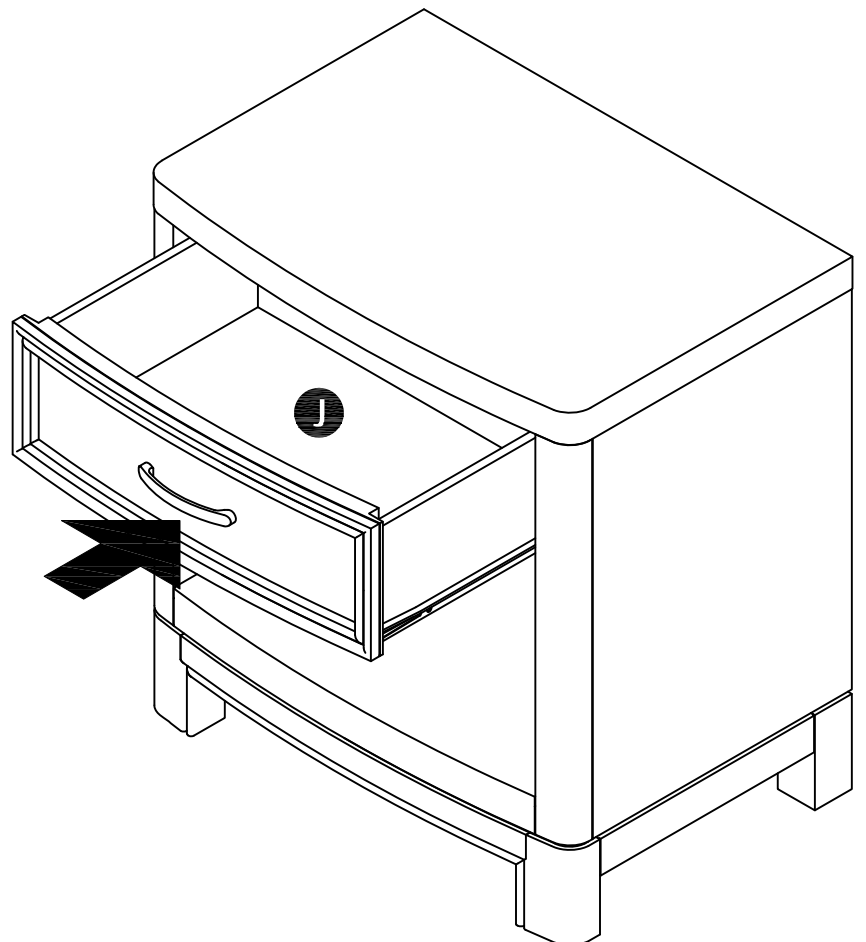
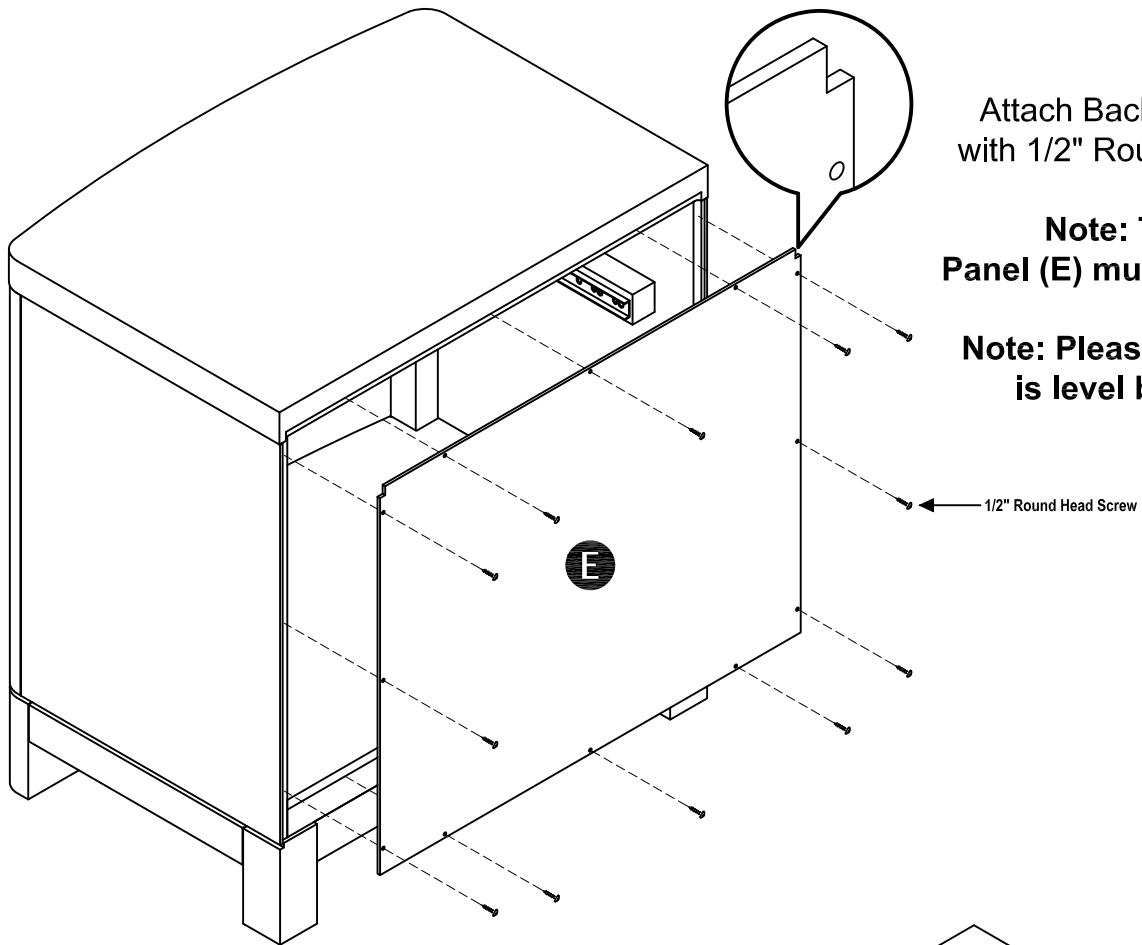
Figure 3

STEP 7

Attach Back Panel (E) to unit with 1/2" Round Head Screws.

Note: Top side of Back Panel (E) must touch Top (A).

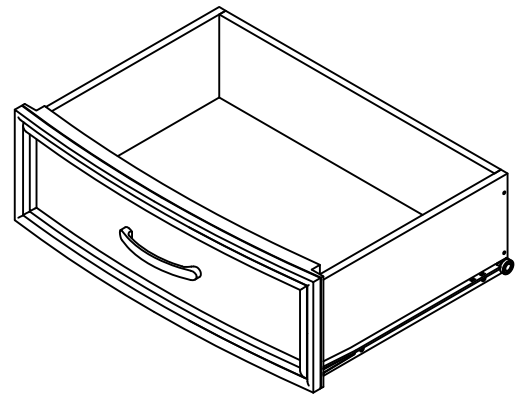
Note: Please make sure unit is level before tightening these screws.



STEP 8

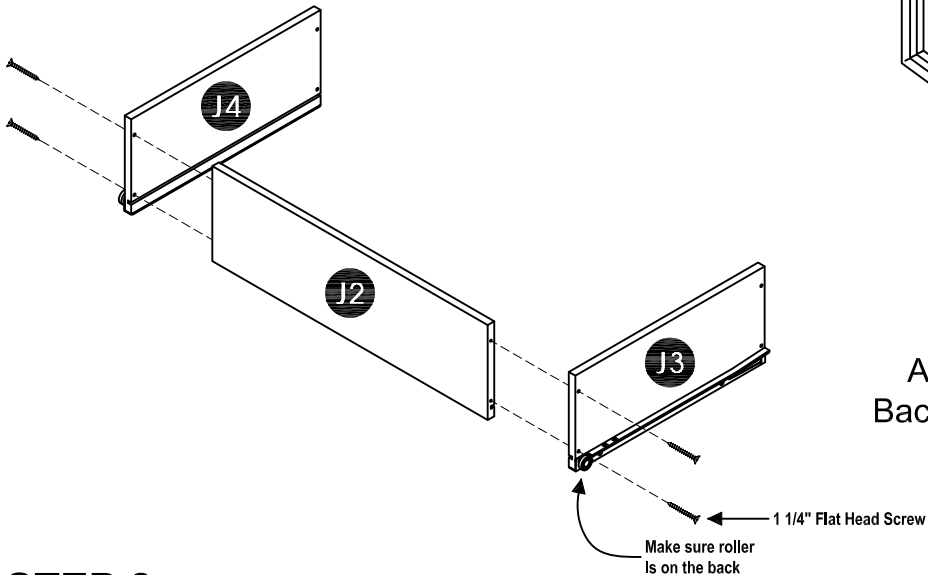
Slide Drawer (J) into place.

Drawer (J)



STEP 1

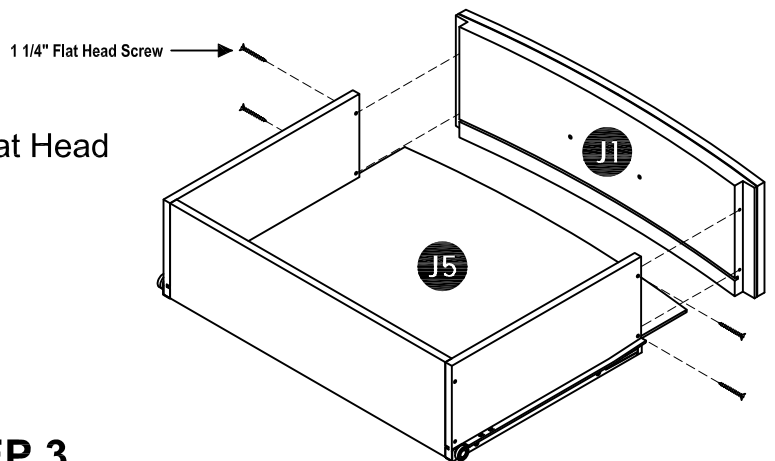
Attach Side Parts (J3) and (J4) to Back Part (J2) with 1 1/4" Flat Head Screws.



STEP 2

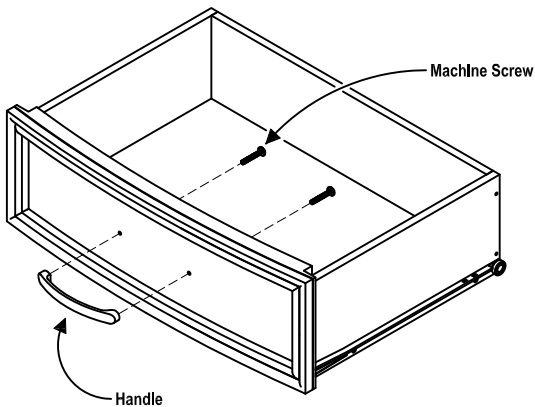
Insert Base Part (J5) into the groove.

Attach Front Part (J1) to unit with 1 1/4" Flat Head Screws.

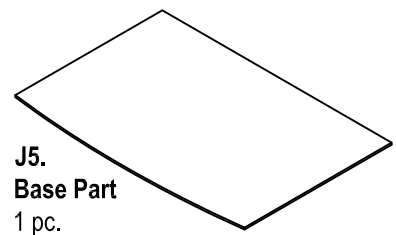
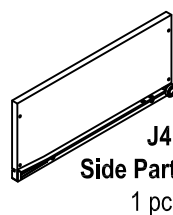
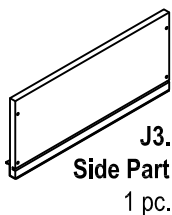
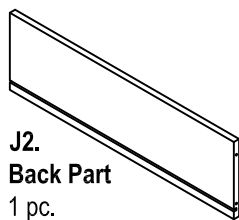
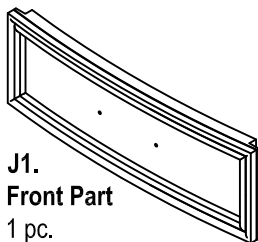


STEP 3

Attach Handle with Machine Screws.



Part List



VERY IMPORTANT !!

CARE INSTRUCTIONS

NEVER

USE GLASS CLEANERS ON FINISHED FURNITURE. AMMONIA WILL CHEMICALLY ATTACK THE LACQUER.

NEVER

ALLOW LIQUIDS OF ANY KIND TO REMAIN ON THE FURNITURE. ABSORPTION CAUSES WOOD TO WARP AND SPLIT AND FINISHES TO DELAMINATE.

DO NOT WRITE DIRECTLY ON SURFACE.



PREVENT MARKING

DO NOT PLACE IN DIRECT SUNLIGHT.



PREVENT FADING

DO NOT USE COMMERCIAL WAXES AND POLISHES.



PREVENT YELLOWING

DO NOT PLACE HOT OBJECTS ON SURFACE.



PREVENT FINISH DAMAGE

DO NOT USE RUBBER BASED PLACE MATS.



PREVENT DISCOLORING

TO CLEAN

USE A SOFT CLOTH MOISTENED IN LEMON OIL POLISH OR LUKEWARM SOAP AND WATER, THEN BUFF WITH A DRY CLEAN CLOTH.



Home Styles will provide replacements free of charge for missing or damaged hardware or parts within 30 days of purchase. Digital images of the defective parts may be required. If this product was not purchased from an authorized retail affiliate, Home Styles is under no obligation to provide replacement parts. Parts are not available for fully assembled items nor are parts available for sale. Replacements for missing or damaged hardware or parts may be requested at:

www.homestyles-furniture.com/customer_service

Home Styles Consumer Assistance: www.homestyles-furniture.com,
servicedesk@homestyles-furniture.com, 888-680-7460, 877-831-0319