



Project Name: _____

Location: _____

Item #: _____

Qty: _____

Adcraft 7 Roller Hot Dog Grill, in Stainless Steel

HRG-07



Bring convenience-store flavor and reliability to your foodservice operation with the Adcraft 7 Roller Hot Dog Grill. Designed for versatility and efficiency, this commercial hot dog roller grill cooks classic hot dogs to perfection while also handling customer favorites like sausages, brats, taquitos, egg rolls and other roller-grill snacks. With a durable stainless steel body, the unit holds up to 18 hot dogs at a time and delivers even heating across every item, ensuring consistent results batch after batch. Dual temperature controls allow you to separate cooking and holding zones.

Features and Construction

- Made from durable stainless steel for long-lasting use
- Operates on 120V with a NEMA 5-15 plug type
- Manual control type for precise cooking management
- Holds up to 18 hot dogs at a time
- Features no casters for stable placement
- Stainless steel rollers rotate continuously to cook hot dogs on all sides for a consistent result
- Once cooked, it holds hot dogs at safe serving temperatures until they're purchased
- Temperature of 482°F on the maximum heat setting #5
- Open design displays hot dogs directly to customers, encouraging impulse sales
- Separate front and back temperature dials let you control the heat settings for different sets of rollers

Cover sold separately.

Accessories (Optional)

- Glass Cover (HRG-07-COV)

Electric

120V ~ 60Hz - 910W (7.6)A
Cord Length (Inches): 59
Plug Type: NEMA 5-15P
Cord set included

NEMA 5-15P



3rd Party Approvals



Warranty (USA / Canada)

Protected by Admiral Craft Equipment Corporation's One-Year Limited Warranty



Contact Admiral Craft Equipment for details at 1-877-672-7740

Capacity

- Number of Rollers: (7) Rollers
- Hot Dog Capacity: (18) Hot Dogs

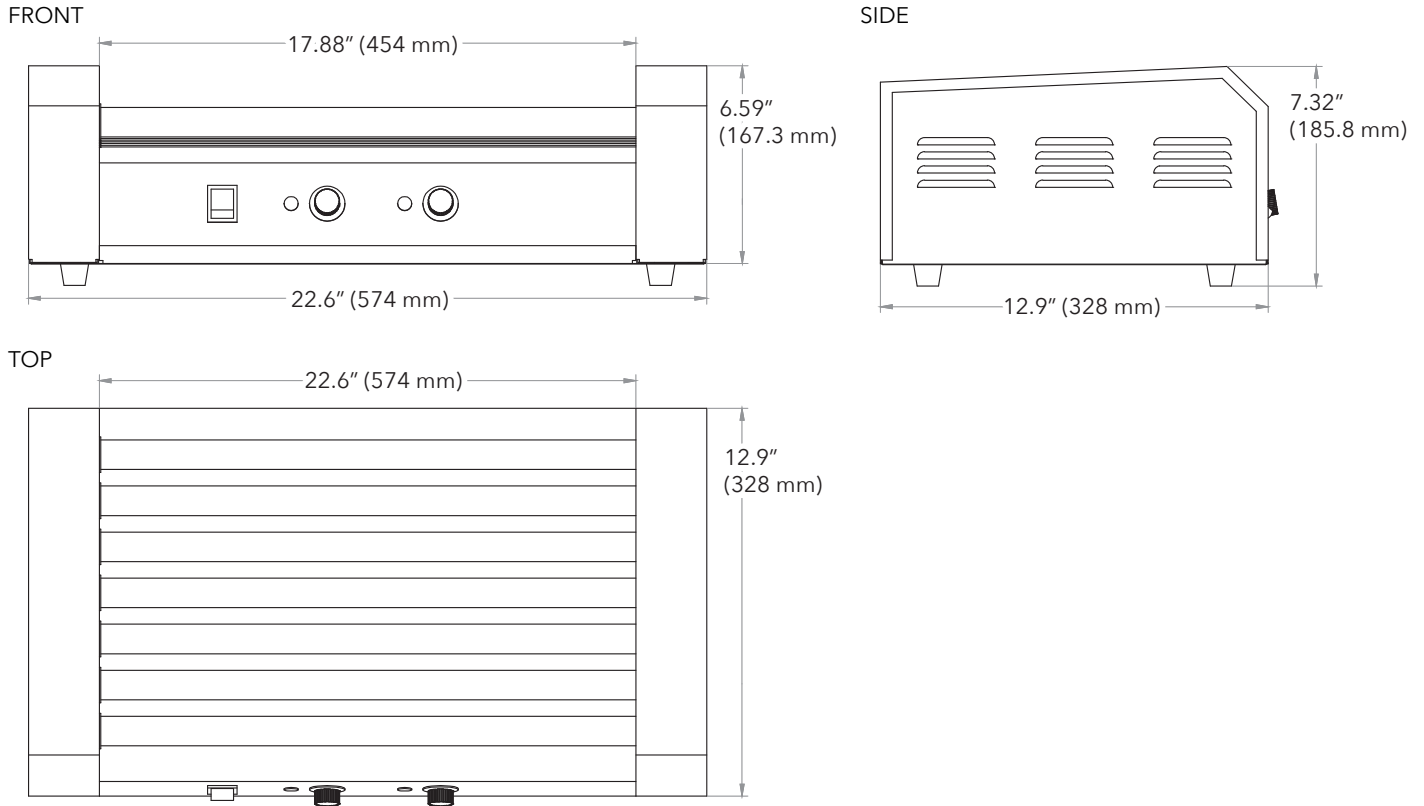
Included Components

- Roller grill



Adcraft 7 Roller Hot Dog Grill, in Stainless Steel

HRG-07



Hot Dog Equipment

Control Type	Number of Rollers	Hot Dog Capacity	Assembled Dimensions L x W x H (in)	Package Dimensions L x W x H (in)	Item Weight (lb)	Shipping Weight (lb)
Manual	(7) Rollers	(18) Hot Dogs	12.90" x 22.60" x 7.32"	25.20" x 15.10" x 9.00"	17.8	20.9

Due to periodic changes in designs, methods, procedures, policies and regulations, the specifications contained in this document are subject to change without notice. While we exercise good faith efforts to provide information that is accurate, we are not responsible for errors or omissions in information provided or conclusions reached as a result of using the specifications. By using the information provided, the user assumes all risks in connection with such use.