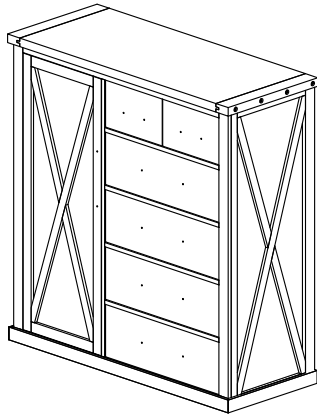


# YOSEMITE GENTLEMAN CHEST ASSEMBLY INSTRUCTIONS



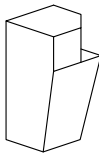
A. GENTLEMAN CHEST 1PC



GENTLEMAN CHEST ASSEMBLED



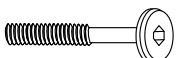

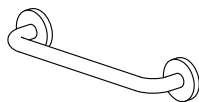


B. LEGS 4PCS



C. SUPPORT LEG 1PC

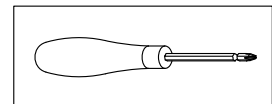


## HARDWARE ARE PACKED IN BOX

<b>1</b>	ALLEN BOLT M6 x 50 MM	04 PCS	<b>2</b>	WASHER M6/19	04 PCS	<b>3</b>	HANDLE U256	01 PCS	<b>4</b>	BOLT (M4 x 40 MM)	02 PCS	<b>5</b>	ALLEN KEY N4	01 PC
														

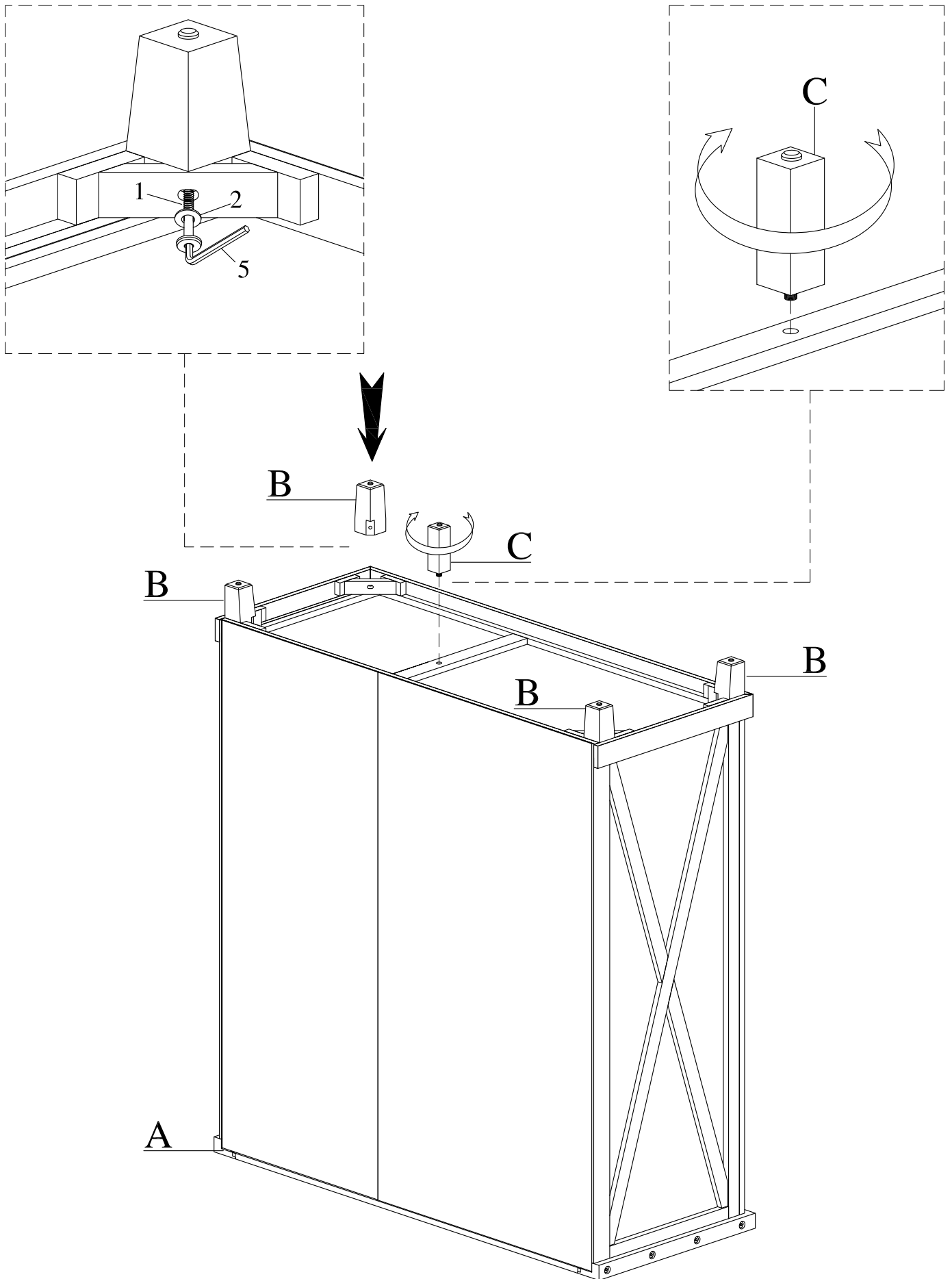
### TOOL REQUIRED

PHILLIPS HEAD SCREW  
DRIVER NOT PROVIDED



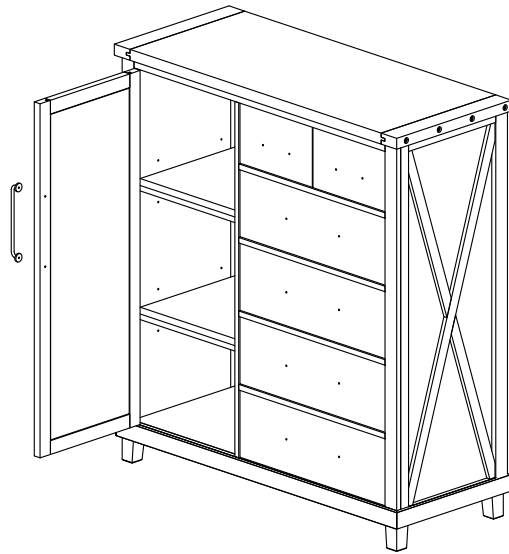
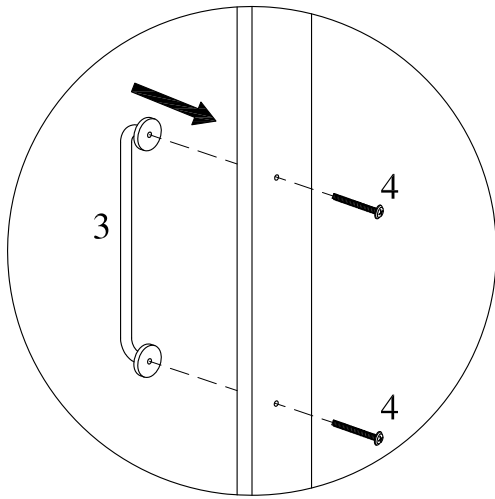
**STEP 1:**

Fasten the legs (B), support leg (C) to the gentleman chest (A), with bolts (1) and washers (2).



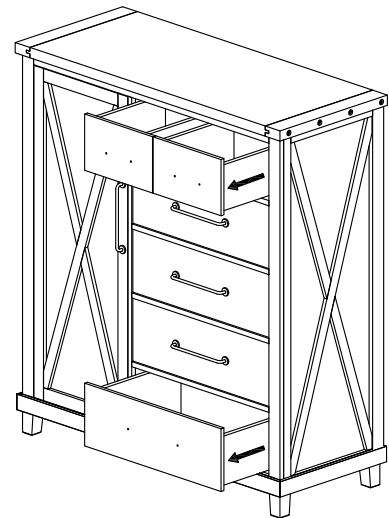
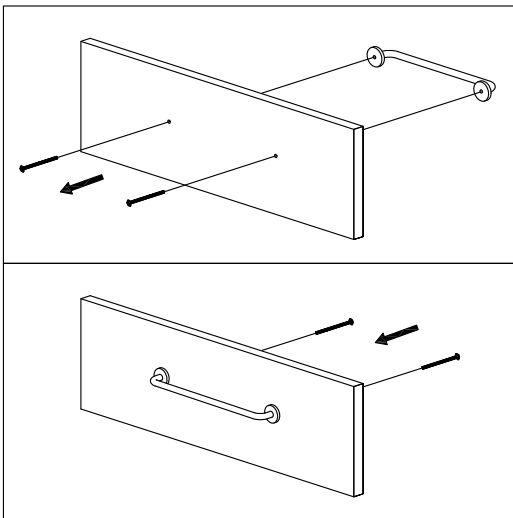
**STEP 2:**

Open the door and assemble handle (3) with bolts (4).



**STEP 3:**

Pull out drawers and throw out the handle.  
Assemble handle.



**STEP 4:**

**ASSEMBLY COMPLETE.**

