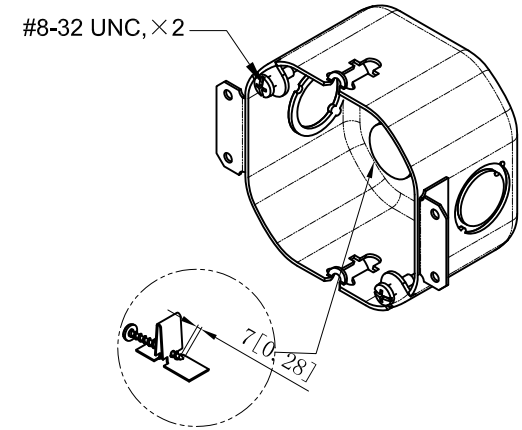
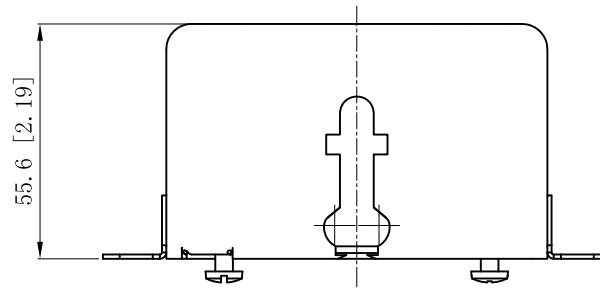
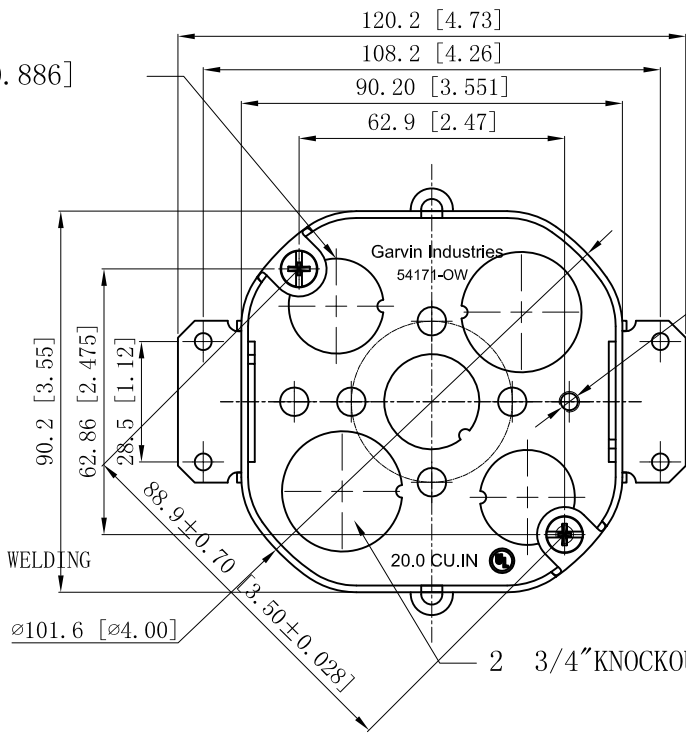
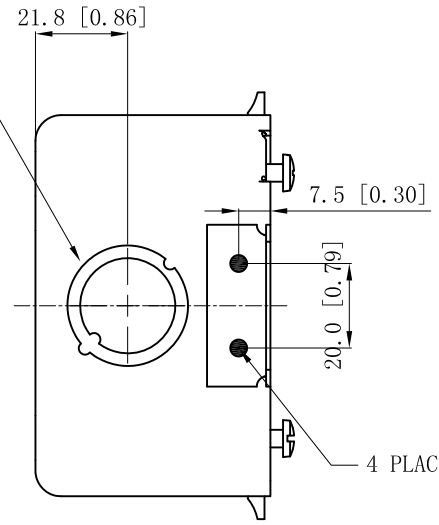


SIDES	BOTTOM
2 1/2-3/4"KNOCKOUTS	3 1/2"KNOCKOUTS
	2 3/4"KNOCKOUTS
2 Pcs #8-32x1/2" screw install	
2 Pcs #6-20x1-3/4 Type AB screw install	
Material:Steel-0.0625"-G60 Galvanized	

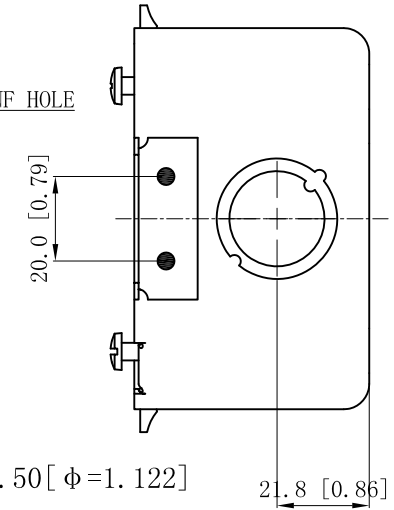


2 1/2"-3/4"KNOCKOUTS $\phi = 22.50$ [$\phi = 0.886$]
 $\phi = 28.5$ [$\phi = 1.122$] MIRROR

3 1/2"KNOCKOUTS $\phi = 22.50$ [$\phi = 0.886$]



#10-32 UNF HOLE



This data sheet is for reference only. GARVIN INDUSTRIES reserves the right to make changes to the design without prior notice.

DESCRIPTION
TRADE REFERENCE TERMS

STANDARD PACKING	GARVIN INDUSTRIES		
	4"OCTAGON BOXES 2-1/8"DEEP		
25 PCS	TITLE	54171-OW	
	SIZE	DWG NO.	REV
	A4		C
DATA SHEET			
www.garvinindustries.com			