

Assembly Guide



Bush
FURNITURE

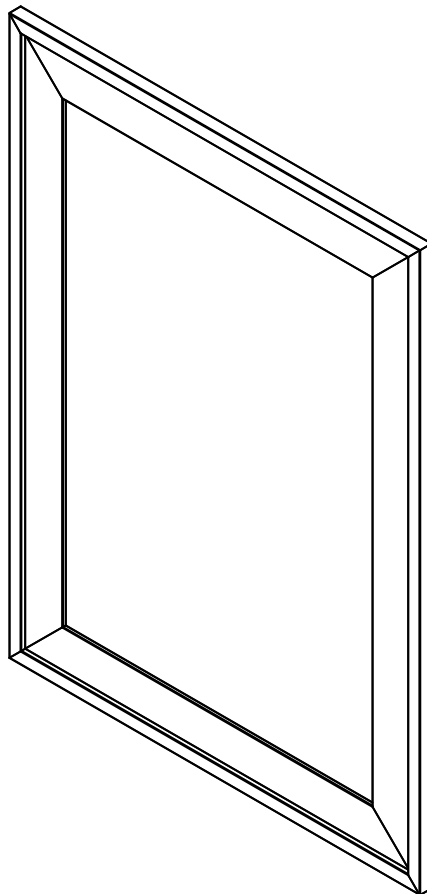


If you're having any difficulty during assembly of this product, don't hesitate to call us at **1-800-950-4782.**

Our customer service experts are trained to provide step-by-step instruction and can easily replace any missing or damaged parts.

Representatives are available Monday-Friday from 8:30 a.m. to 7:30 p.m. (ET)

Bedroom Mirror



Lot Code #

Part Number A191495A

Keep manual for future reference.

For best results, keep these tips in mind:

- ① We know you want to finish this assembly as quickly as possible, but trust us: you'll have a better experience if you take it one step at a time.
- ② Give yourself some room to work near where you want the fully assembled product.
- ③ If your floor isn't carpeted, assemble this product on the empty carton to avoid scratching.
- ④ Do you have a friend who owes you a favor? Some steps may go a little easier with a second set of hands.

DOs

- ✔ Use a #2 Phillips head screwdriver (or other handheld tools as indicated)
- ✔ Wear safety glasses at all times during assembly
- ✔ Carefully follow the instructions in this guide and complete all steps in order
- ✔ Give us a call if you're having trouble with a particularly tricky step

DON'Ts

- ✘ We know power tools are quick and easy, but you shouldn't use them when assembling this product (unless otherwise specified)
- ✘ Never move your furniture with items inside or resting on the surface
- ✘ Do not attempt to use this product before all steps have been completed

Watch assembly videos right on your phone or computer!



Some steps include QR codes that link to helpful videos. Watch out for the icon below! Simply open up your smartphone camera to scan the code.

(Users of older smartphones may need to install a QR Reader.)

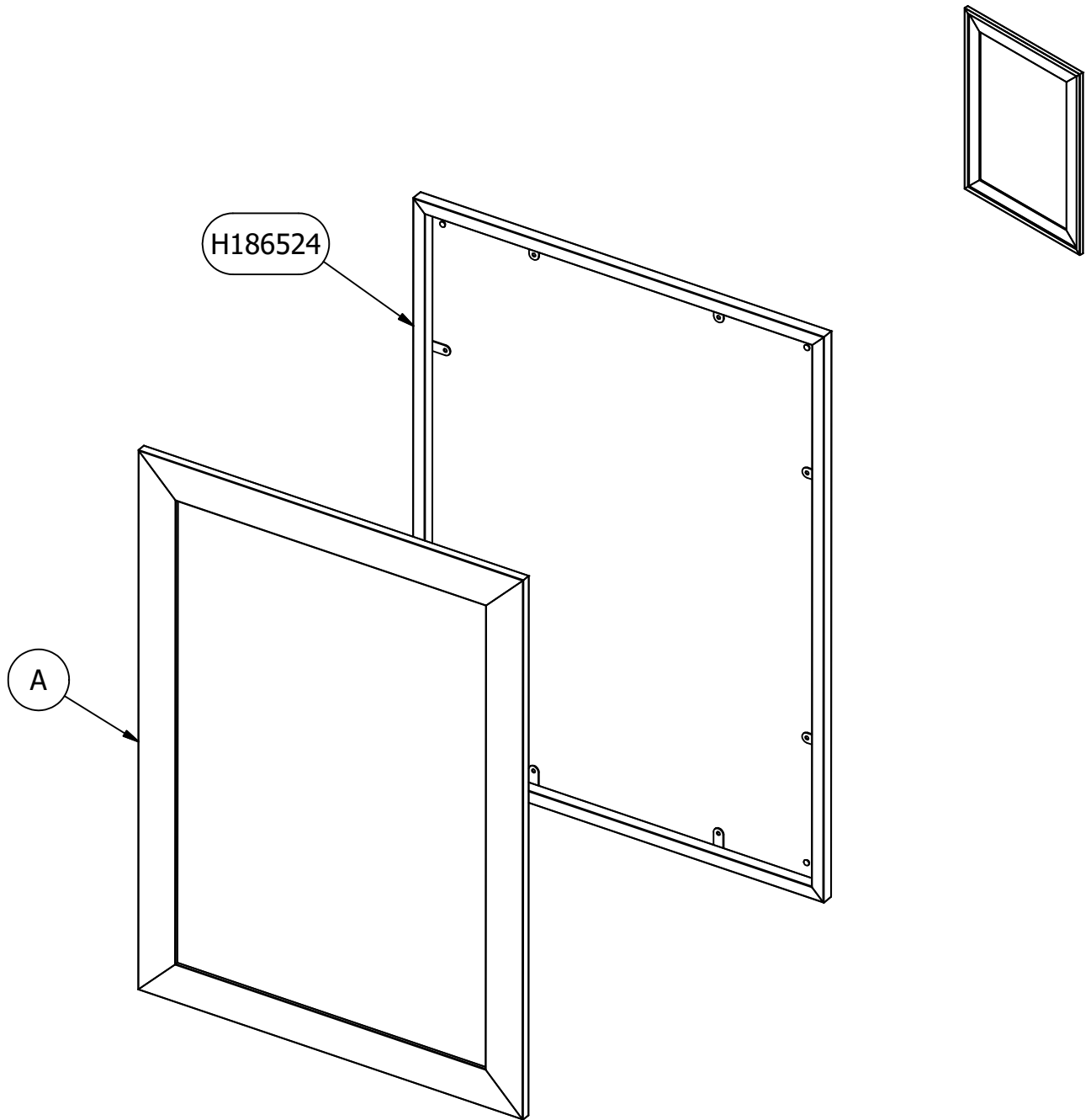
SCAN HERE



FOR VIDEOS

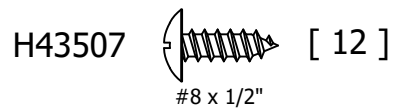
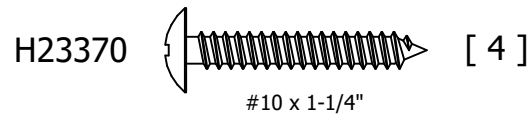
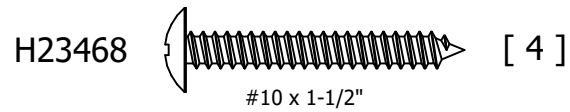
Or visit <https://bushfurniture.com/help-faq/#assembling>





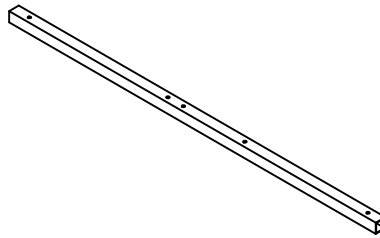
Have an assembly question or need a replacement part? Just call
1-800-950-4782, we are here to help.

Fasteners are shown actual size.



Hardware not to scale.

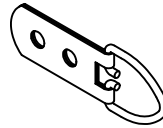
H184017



[2]

Dresser Mounting Bracket

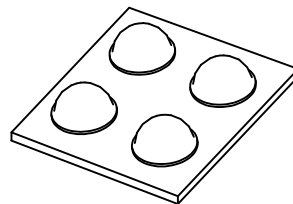
H184021



[2]

Wall Mounting Bracket

H29206



[1]

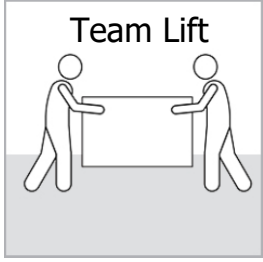
Bumper (4) per pack

Have an assembly question or need a replacement part? Just call
1-800-950-4782, we are here to help.

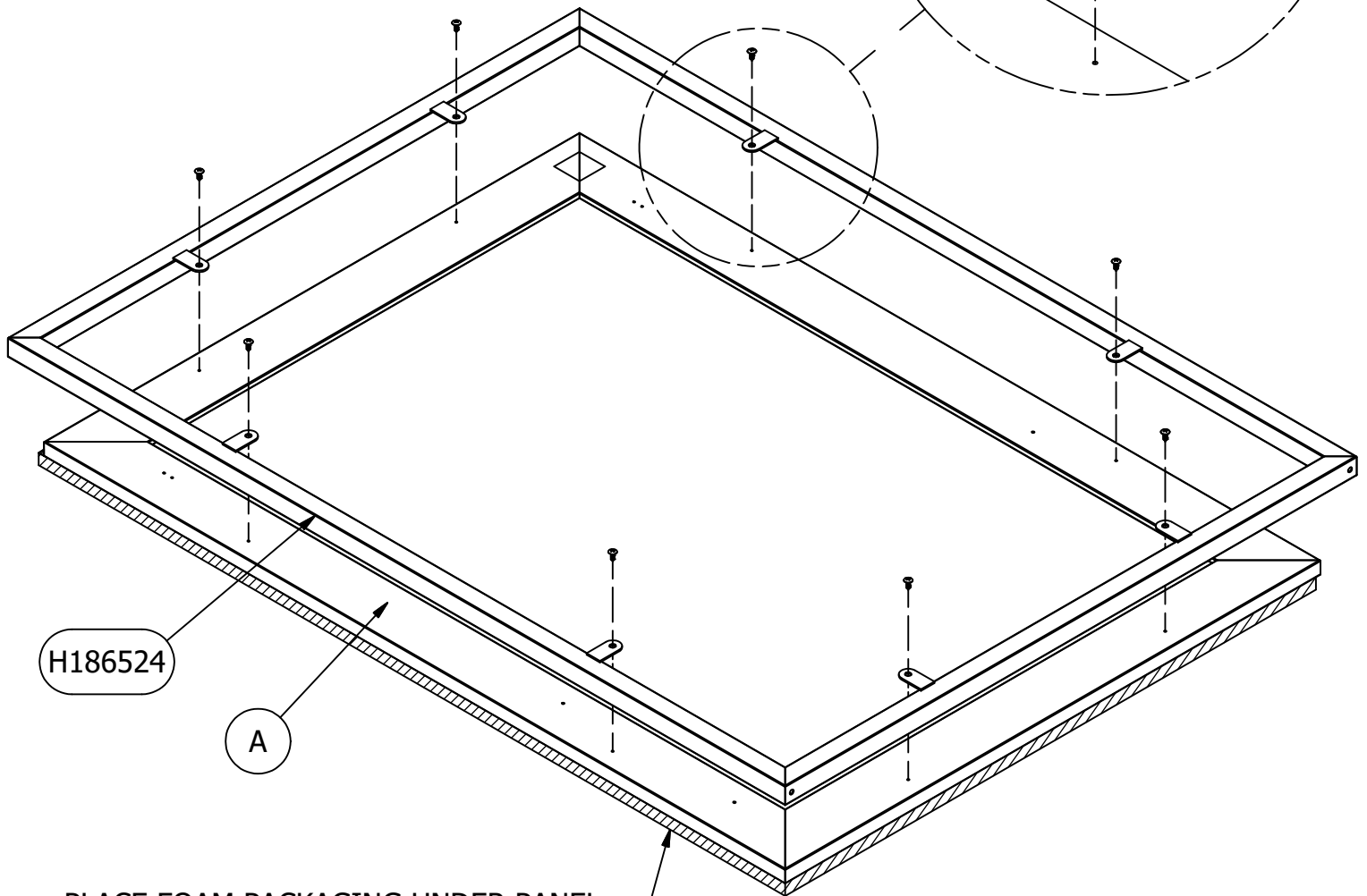
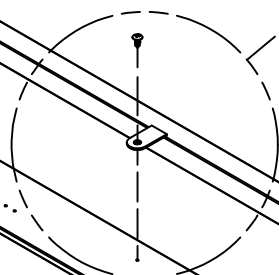
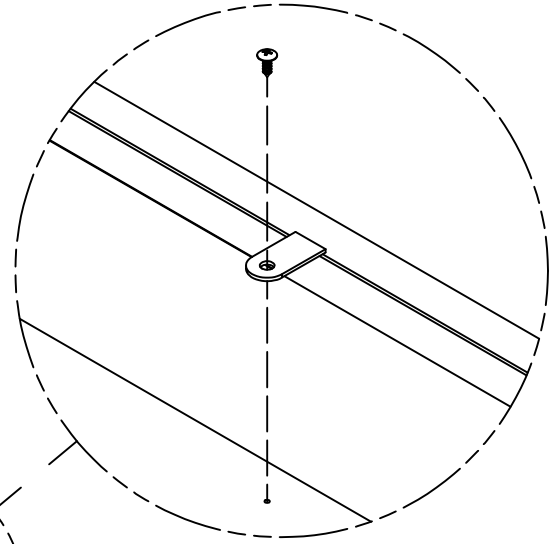
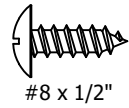
STEP 1

Assemble Components

A191495A



H43507 [8]
#8 x 1/2"



H186524

A

PLACE FOAM PACKAGING UNDER PANEL
LUGAR EMPAQUE DE ESPUMA BAJO PANEL
ENDROIT EMBALLAGE EN MOUSSE SOUS PANNEAU

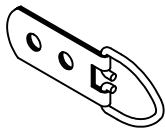
Have an assembly question or need a replacement part? Just call
1-800-950-4782, we are here to help.

STEP 2

Attach Hardware

A191495A

H184021

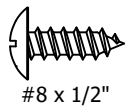


[2]

Wall Mounting Bracket

Wall mounting option
Opción para montura pared
option paroi de montage

H43507



[4]

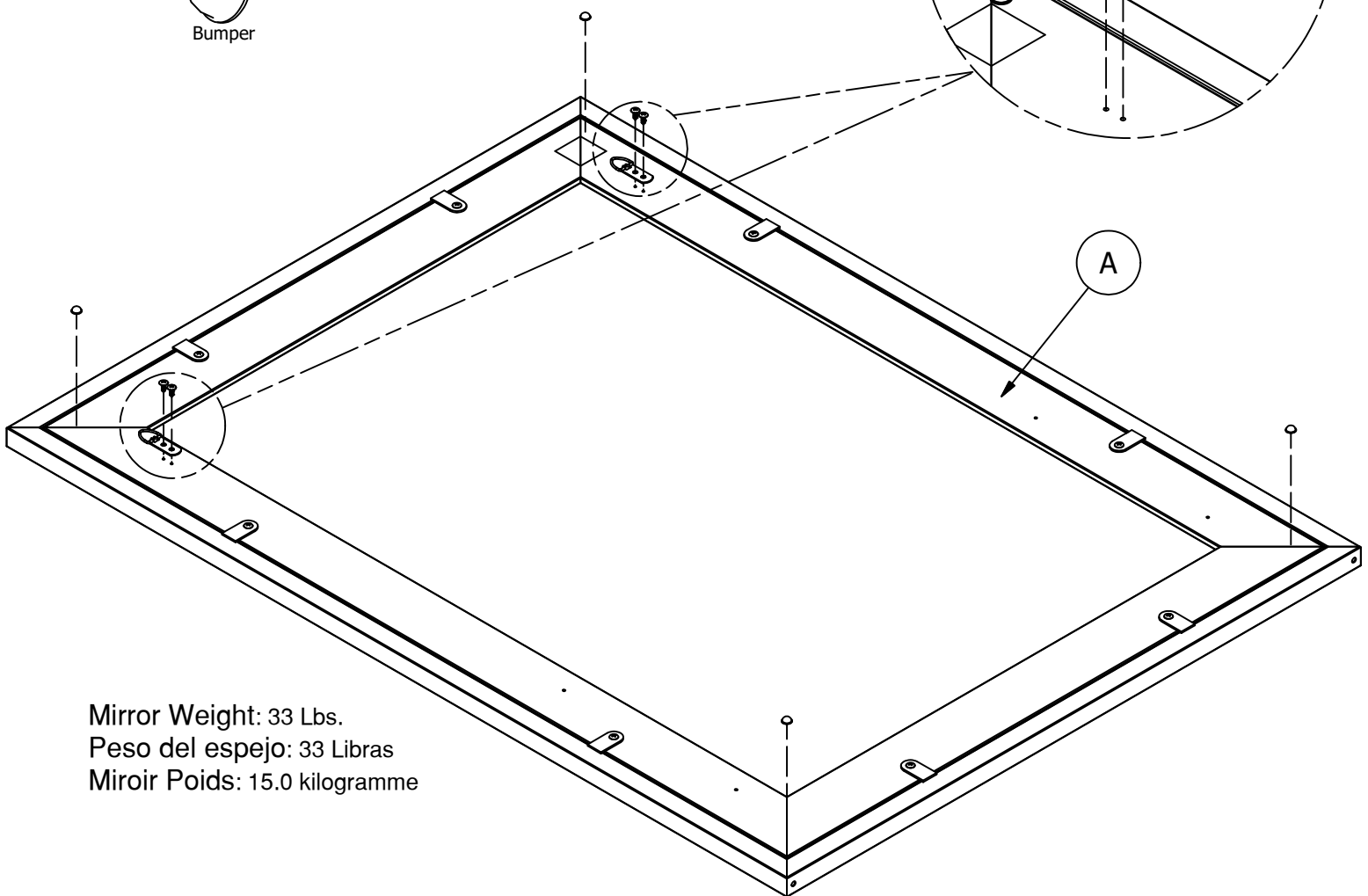
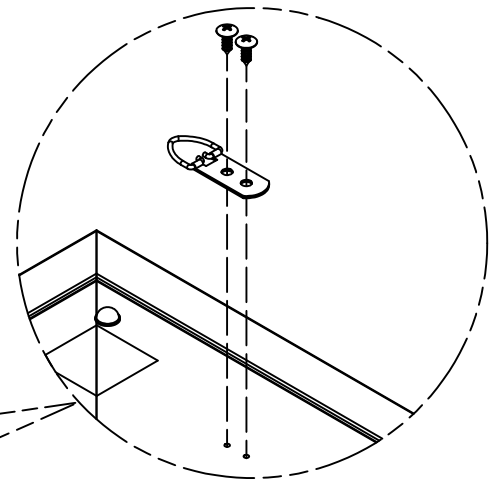
#8 x 1/2"

H29206



[4]

Bumper



Mirror Weight: 33 Lbs.
Peso del espejo: 33 Libras
Miroir Poids: 15.0 kilogramme

Use suitable hardware appropriate to mounting the mirror to your wall .
Do not use "picture wire" .

Utilizar un hardware adecuado apropiado para montar el espejo en la pared.
No utilice "hilo de imagen".

Utilisez un matériel approprié approprié pour monter le miroir sur votre mur.
N'utilisez pas "fil d'image".

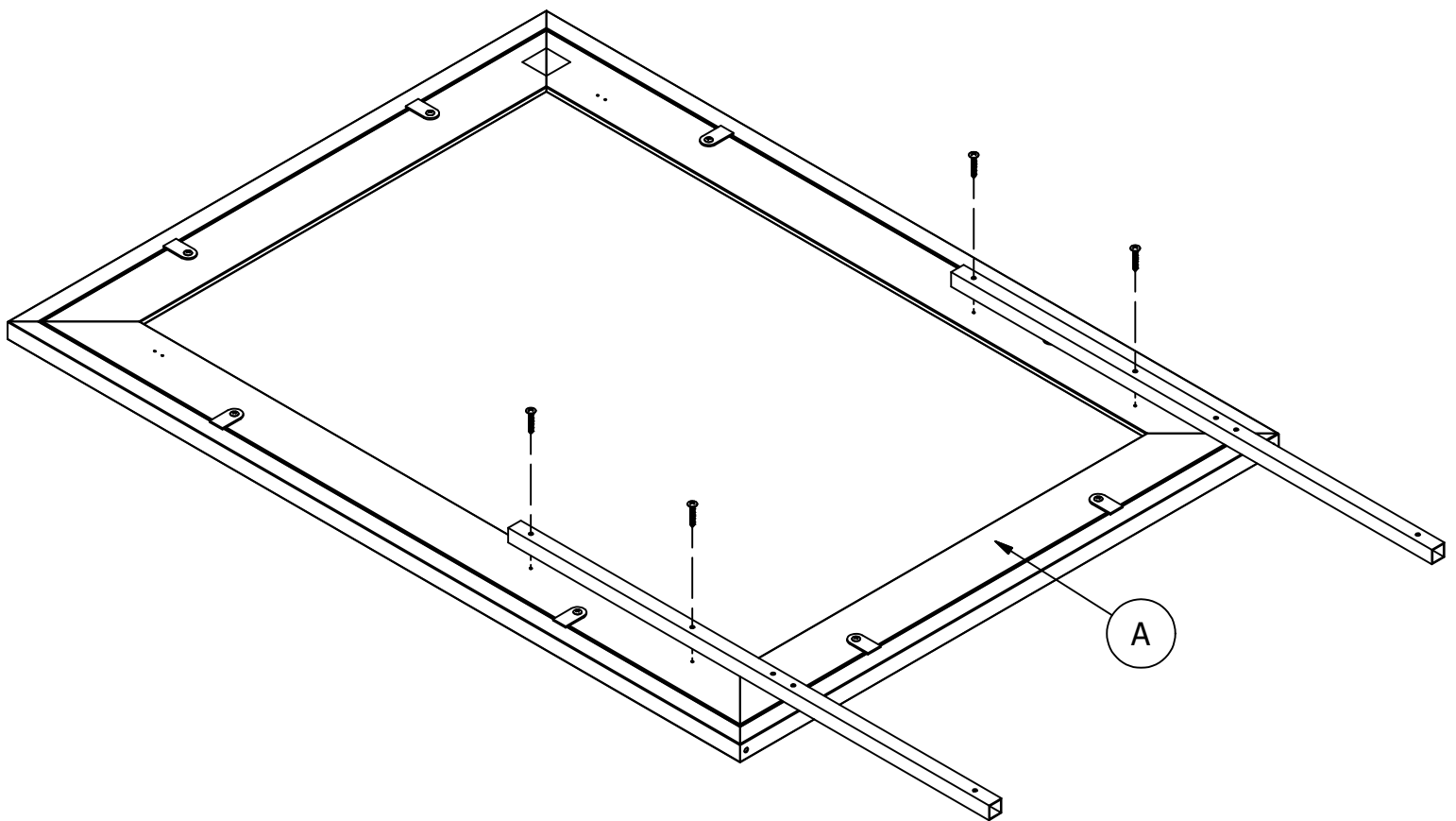
Have an assembly question or need a replacement part? Just call
1-800-950-4782, we are here to help.

Dresser mounting option
Opción para montura aparador
montage de buffet option

H23370 [4]
#10 x 1-1/4"

H184017 [2]

Dresser Mounting Bracket

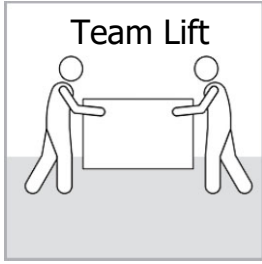


Have an assembly question or need a replacement part? Just call
1-800-950-4782, we are here to help.

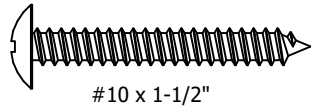
STEP 4

Attach to Dresser

A191495A

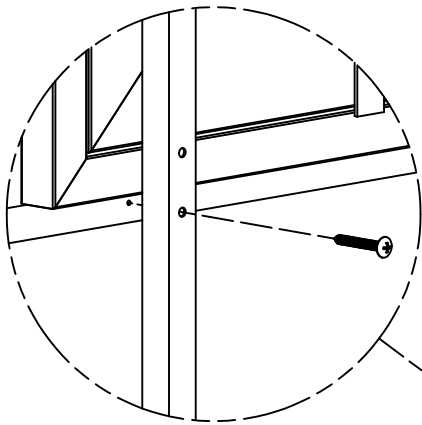


H23468

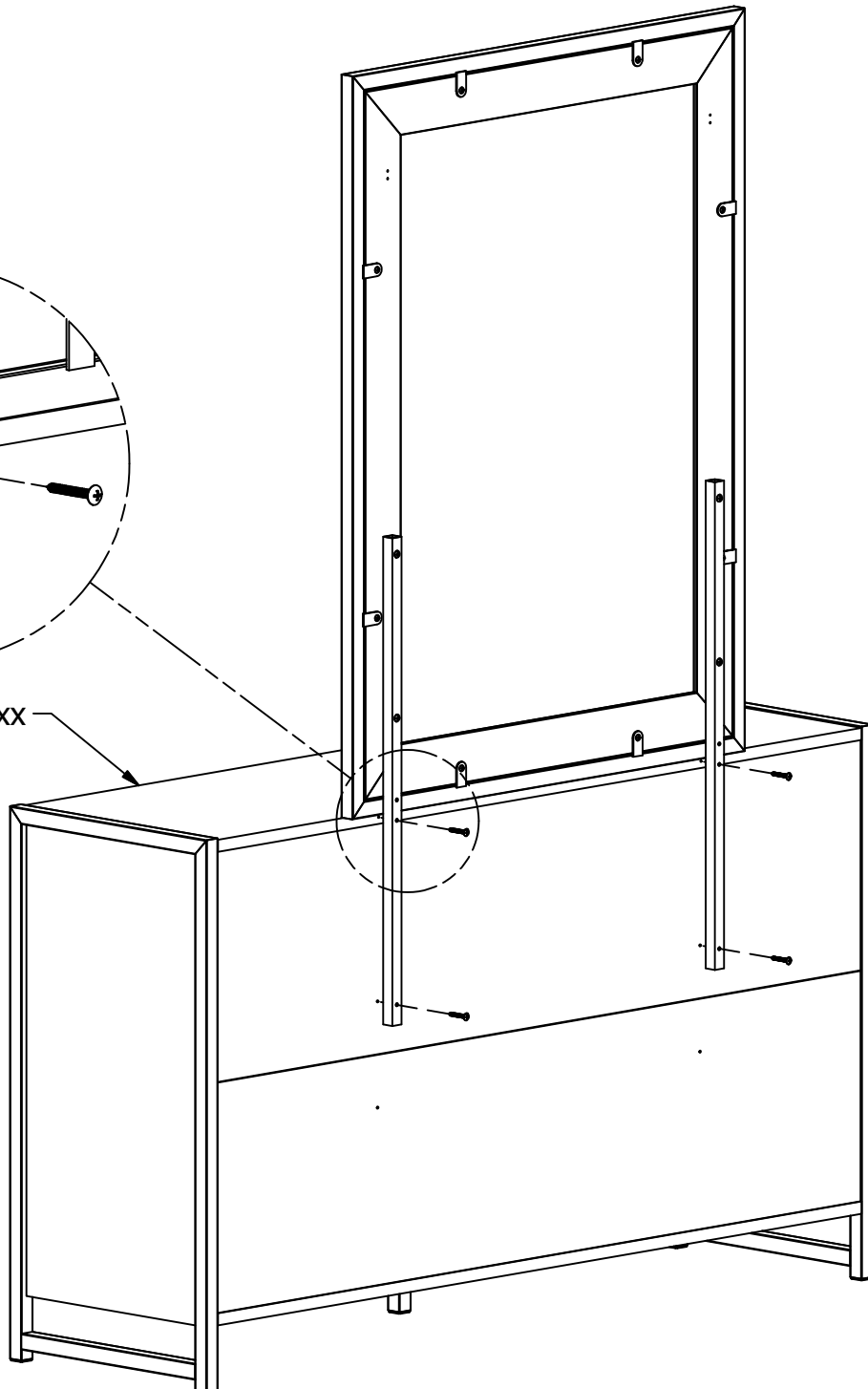


[4]

#10 x 1-1/2"



ARS160xx



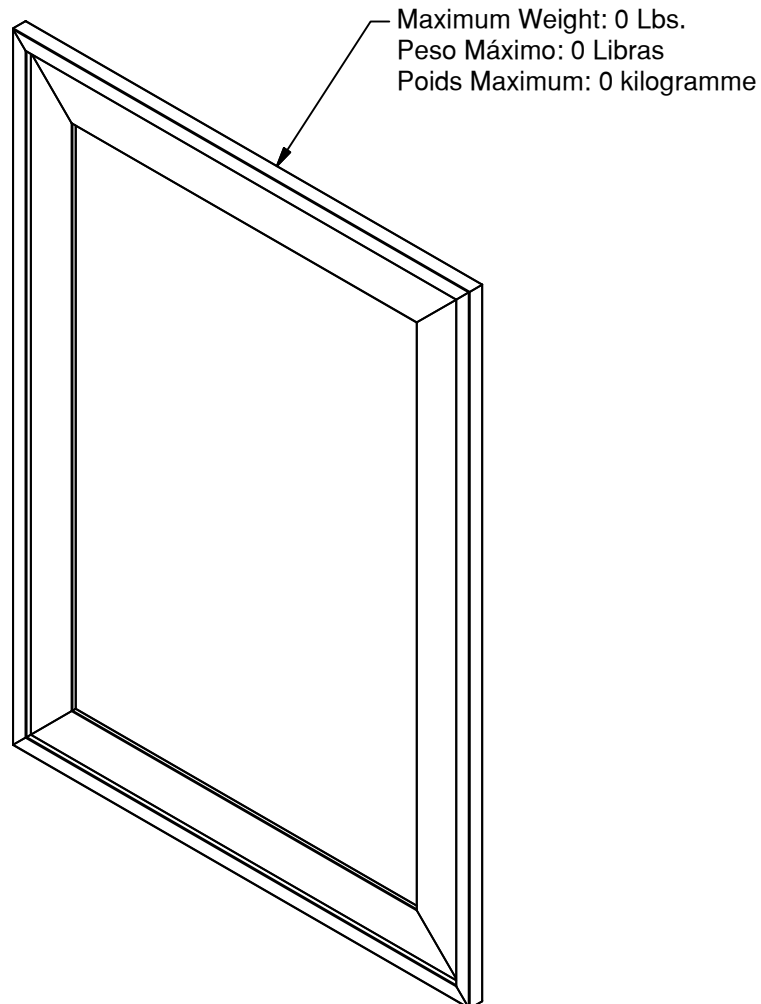
Have an assembly question or need a replacement part? Just call
1-800-950-4782, we are here to help.

Scan QR Code to
Watch Video on:



How to Clean
the Surface

Gently clean surfaces with a damp sponge eraser.



Congratulations! You are all done. If
you have any questions or concerns,
please call.

Have an assembly question or need a replacement part? Just call
1-800-950-4782, we are here to help.

ARA130CR			
Label	Qty.	Number	Description
A	1	S191516	MIRROR ASSEMBLY
H186524	1	H186524	MIRROR FRAME

ARA130MH			
Label	Qty.	Number	Description
A	1	S206584	MIRROR ASSEMBLY
H186524	1	H186524	MIRROR FRAME

ARA130PG			
Label	Qty.	Number	Description
A	1	S206587	MIRROR ASSEMBLY
H186524	1	H186524	MIRROR FRAME

Have an assembly question or need a replacement part? Just call
1-800-950-4782, we are here to help.