



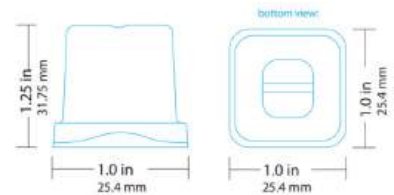
XOUI M15650 XOUI M15650P (WITH PUMP)

15" PANEL READY CLEAR GOURMET CUBE ICE MAKER



- Panel Ready
- Up to 55lbs of Gourmet Ice per day
- Stores up to 27lbs of ice
- Fully Automatic

Cube Size:



15" UNDERCOUNTER ICE MAKER

Automatically produces up to 55lbs of clear gourmet ice per day.

The XOUI M1565 series icemaker produces large cube gourmet ice that is crystal clear, ideal for use in all kinds of beverages. That's because the rectangular bell shaped cubes are designed to melt slowly and minimize any dilution. The spray molding process allows impurities that can add taste or odor to be continually washed away. It is ice created for the purist in you.

The right ice matters.

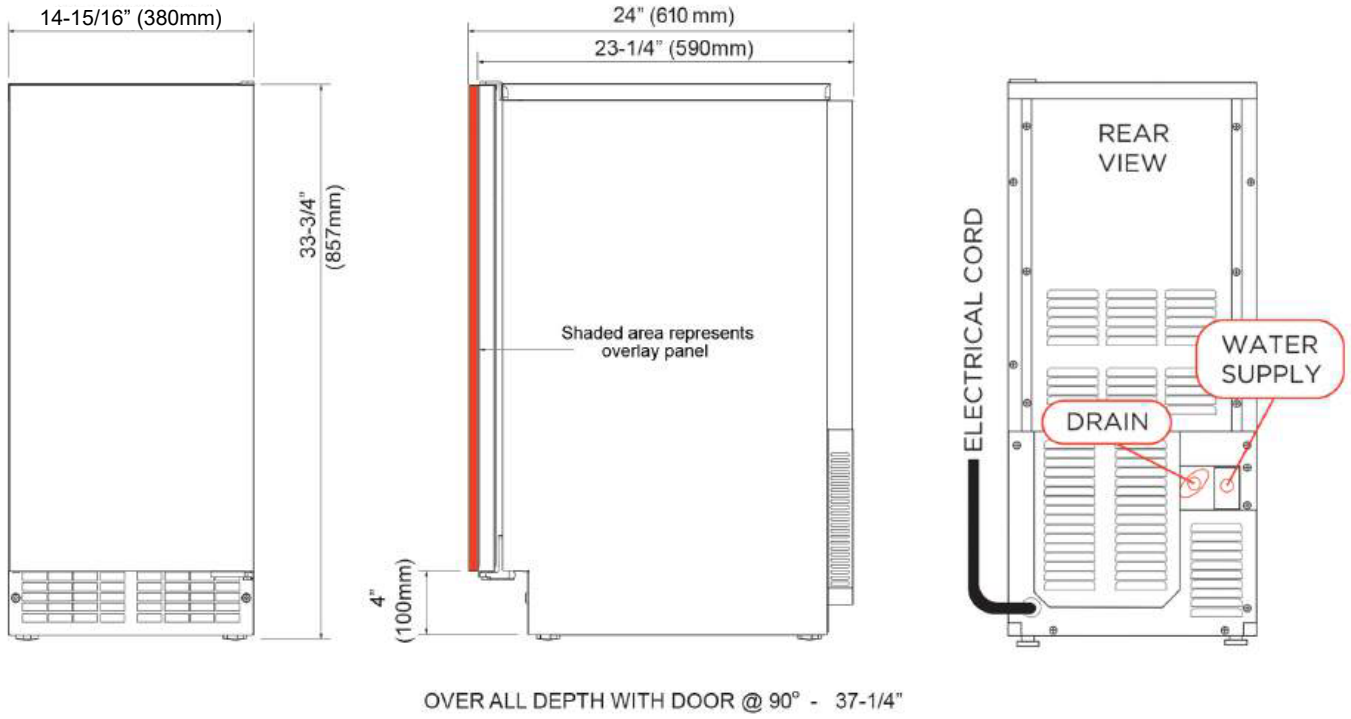
WORLD CLASS SERVICE | COMPREHENSIVE WARRANTIES

OUR LASTING COMMITMENT TO YOU



XOUI15650 XOUI15650P (with pump)

15" GOURMET ICE MAKER



FEATURES SPECIFICATIONS

FINISH Panel Ready Design, Field Reversible Door
Finish Panel and Handle Not Included
White Interior

ICE MAKER Produces up to 55 lbs of Gourmet Ice per Day
Ice Tank Capacity 27 lbs
Front Venting - Designed for Undercounter
Fully Automatic
Field Reversible Doors
Rated for Indoor and Outdoor Use
Large Rectangular Bell Cube
Easy to Spot Blue Ice Scoop

Available in two models:
XOUI15650
Standard for gravity drain installs

XOUI15650P
Includes factory installed automatic drain pump

ELECTRICAL 120VAC 60 Hz 3.7 Amps*

POWER CONNECTION 6 1/2' (3) Wire Cord 90° Flat Plug

WATER CONNECTION 1/4" 20 - 80 psi 50° F Optimal

DRAIN CONNECTION 5/8"

REFRIGERANT R600a

OVER ALL DIMENSIONS 14-15/16" x 23-1/4" x 33-3/4"

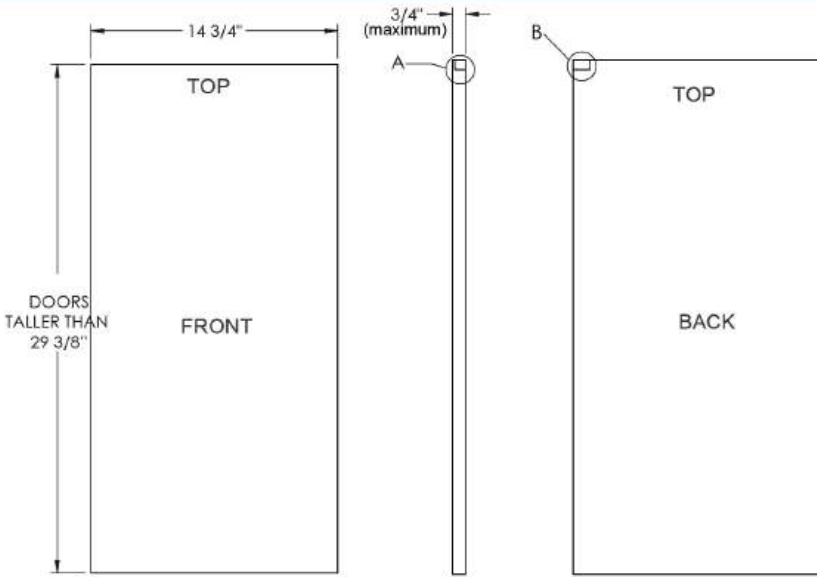
CUT OUT DIMENSIONS 15-1/4" x 24" x 34" to 36"

NET WEIGHT 104lbs

*dedicated 15 amp service required
unit must be properly grounded
see installation instructions

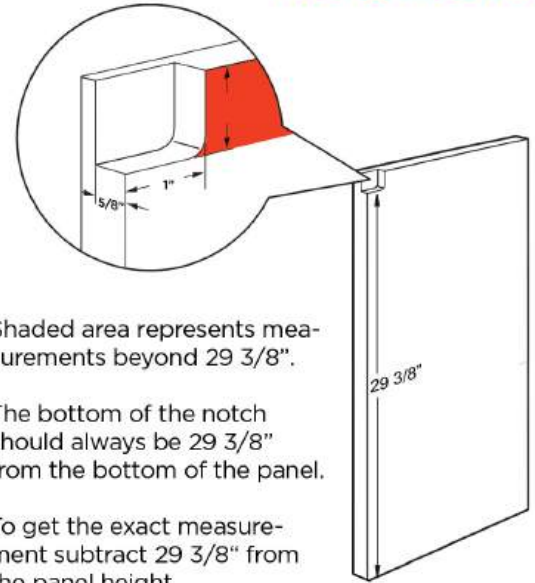


Panel Ready Door Panel Dimensions (Taller than 29 3/8")



Door panels taller than 29 3/8" require a notch as seen in Detail A & B on the hinge side.

NOTCH DETAIL

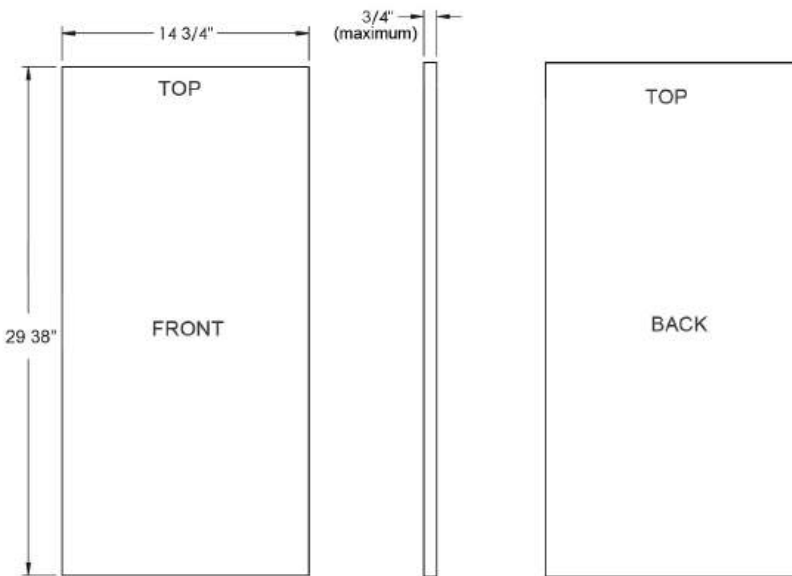


Shaded area represents measurements beyond 29 3/8".

The bottom of the notch should always be 29 3/8" from the bottom of the panel.

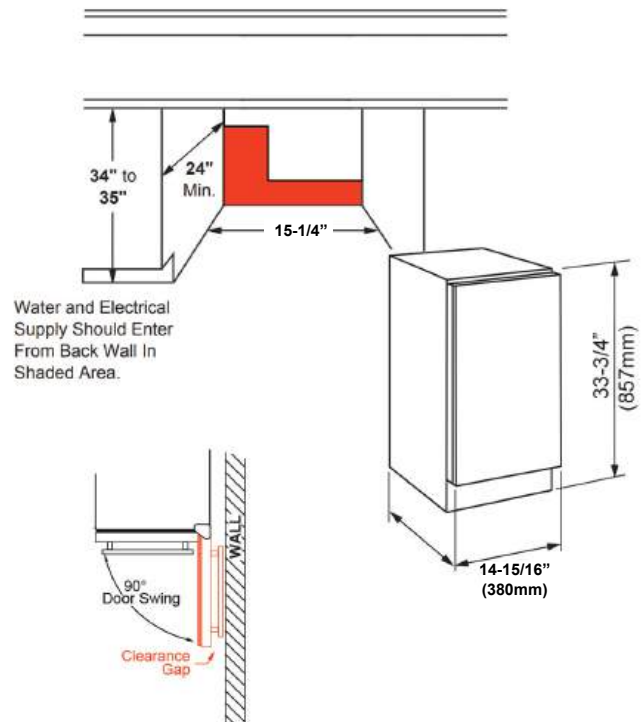
To get the exact measurement subtract 29 3/8" from the panel height.

Panel Ready Door Panel Dimensions (No Notch Required)



If making the panel 29 3/8", no notch (detail A,B) is required.

Dimensions and Installation Information



Water and Electrical Supply Should Enter From Back Wall In Shaded Area.

When installing with the hinge side next to a wall, leave adequate space for your door handle.

