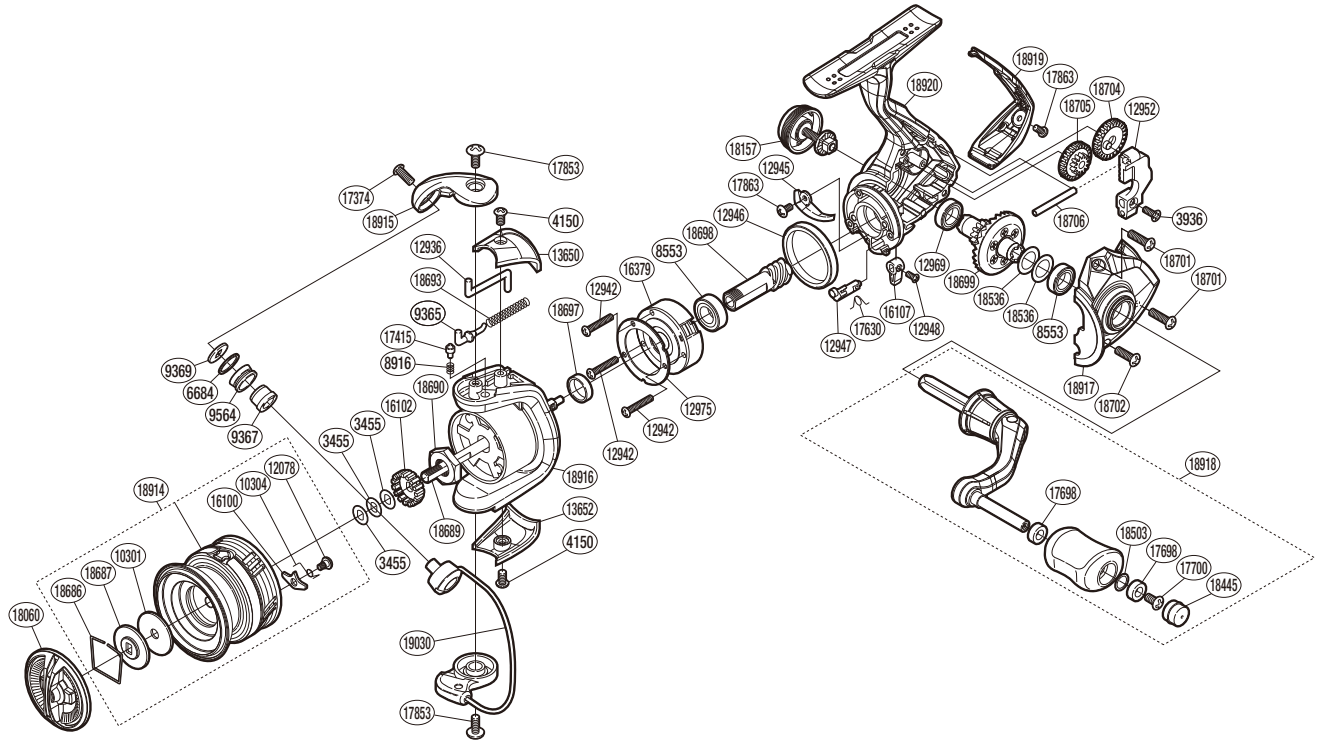


SHIMANO

SAHARA

SH-500FI



Please note that the number of adjusting washers may not be the same as shown in the exploded views. (51SE640505X) (Adjustment will vary with each individual product.)

Part No.	Description	Part No.	Description	Part No.	Description
RD 3455	Spool Washer	RD12975	Roller Clutch Reinforce	RD18689	Main Shaft
RD 3936	Screw	RD13650	Bail Spring Cover	RD18690	Rotor Nut
RD 4150	Screw	RD13652	Bail Hold Support Guard	RD18693	Bail Spring
RD 6684	Line Roller Spacer	RD16100	Drag Click	RD18697	Rotor Ring
RD 8553	Ball Bearing	RD16102	Spool Support	RD18698	Pinion Gear
RD 8916	Click Spring	RD16107	Anti-Reverse Lever	RD18699	Drive Gear Assembly
RD 9365	Bail Spring Guide	RD16379	Roller Clutch Assembly	RD18701	Screw
RD 9367	Line Roller Bushing	RD17374	Screw	RD18702	Screw
RD 9369	Line Roller Washer	RD17415	Click Pin	RD18704	Oscillating Gear
RD 9564	Line Roller	RD17630	Anti-Reverse Cam Spring	RD18705	Idle Gear
RD10301	Drag Washer	RD17698	Handle Knob Bushing	RD18706	Oscillating Guide
RD10304	Drag Click Spring	RD17700	Screw	RD18914	Spool Assembly
RD12078	Screw	RD17853	Screw	RD18915	Bail Arm
RD12936	Bail Trip Lever	RD17863	Screw	RD18916	Rotor
RD12942	Screw	RD18060	Drag Knob	RD18917	Side Cover
RD12945	Bail Trip Strike	RD18157	Handle Screw Cap Assembly	RD18918	Handle Assembly
RD12946	Friction Ring	RD18445	Handle Knob Seal	RD18919	Rear Protector
RD12947	Anti-Reverse Cam	RD18503	Washer	RD18920	Body Assembly
RD12948	Screw	RD18536	Washer	RD19030	Bail Assembly
RD12952	Oscillating Slider	RD18686	Drag Washer Retainer		
RD12969	Ball Bearing	RD18687	Key Washer		