

# ASSEMBLY INSTRUCTION

Item: 6850-10445-89 Etagere

Thank you for purchasing this quality product. Be sure to unpack carefully looking for small parts which may have come loose during shipment.

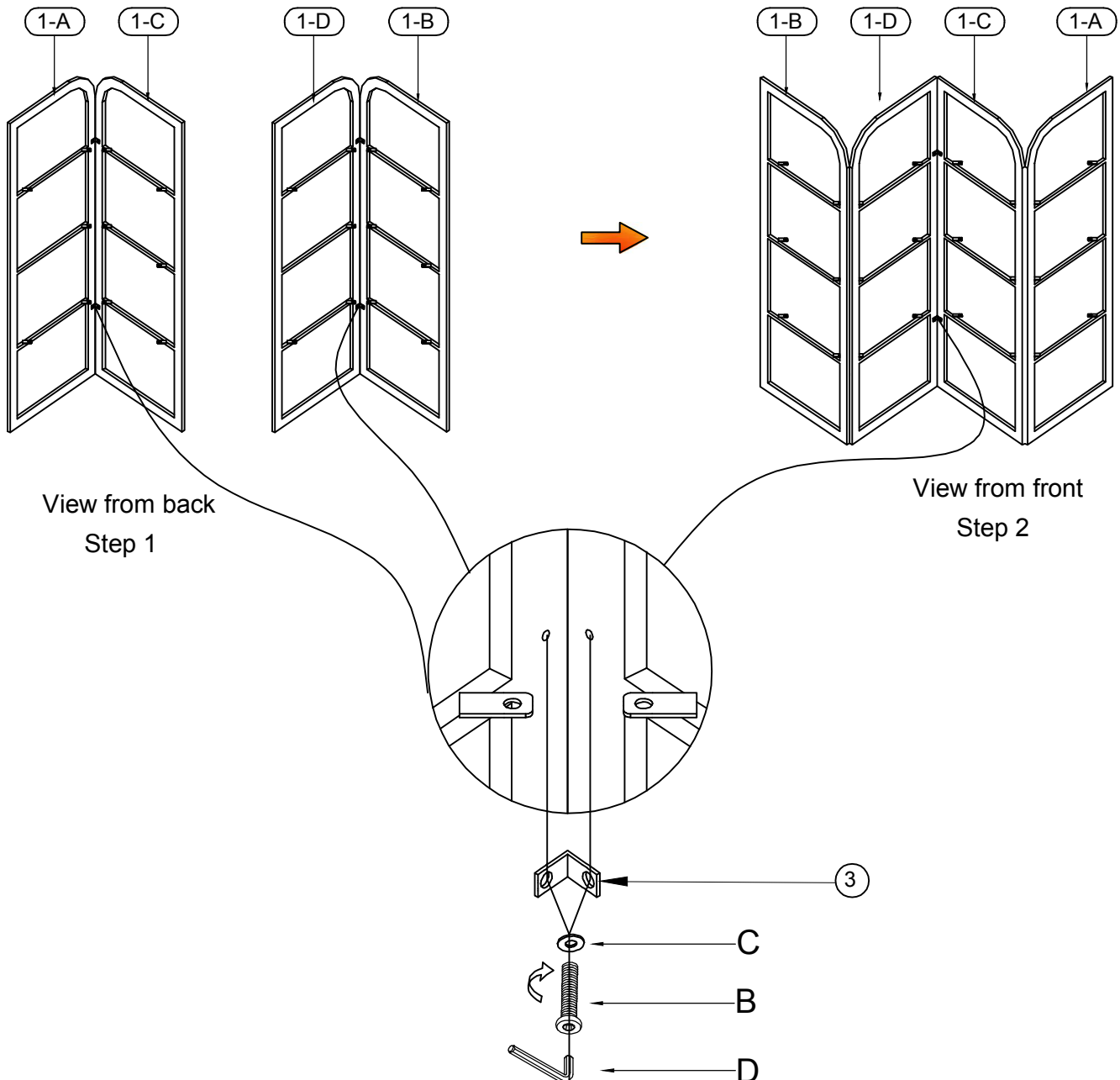
Read all instruction and study the drawing carefully before starting the assembly process.

**HARDWARE PACK**

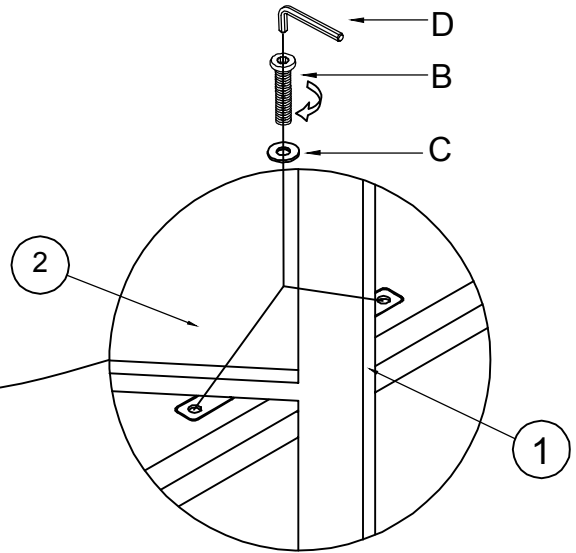
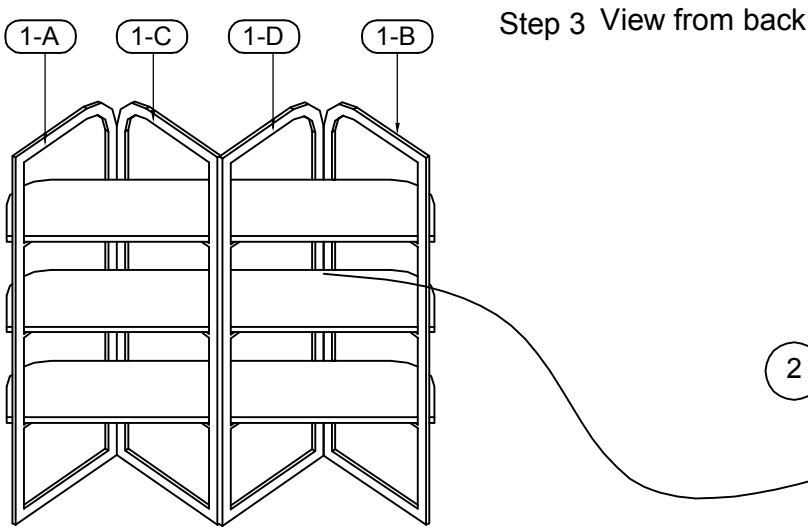
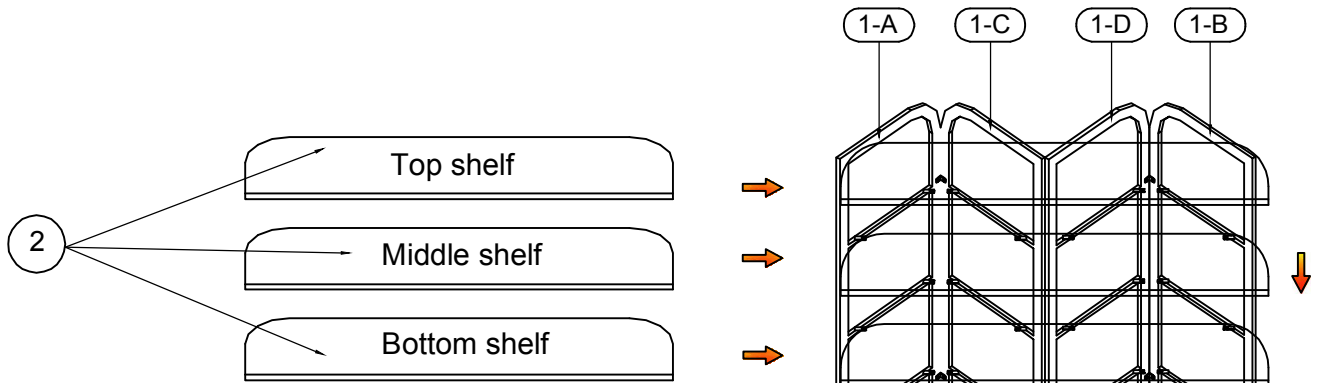
| NO. | DRAWING | DESCRIPTION            | SIZE      | QTY   |
|-----|---------|------------------------|-----------|-------|
| A   |         | Anti tip hardware pack |           | 1set  |
| B   |         | Hexagonal bolt         | 1/4"x3/4" | 36pcs |
| C   |         | Flat washer            | 1/4"x19x2 | 36pcs |
| D   |         | Allen wrench           | 4mm       | 1pc   |

**PART LIST**

| NO. | DRAWING | DESCRIPTION      | QTY  |
|-----|---------|------------------|------|
| 1-A |         | Side frame 1     | 1pc  |
| 1-B |         | Side frame 2     | 1pc  |
| 1-C |         | Center frame 1   | 1pc  |
| 1-D |         | Center frame 2   | 1pc  |
| 2   |         | Adjustable Shelf | 3pcs |
| 3   |         | L shelf metal    | 6pcs |



Thank you for purchasing this quality product. Be sure to unpack carefully looking for small parts which may have come loose during shipment. Read all instruction and study the drawing carefully before starting the assembly process.



Step 4 View from back

View from bottom

