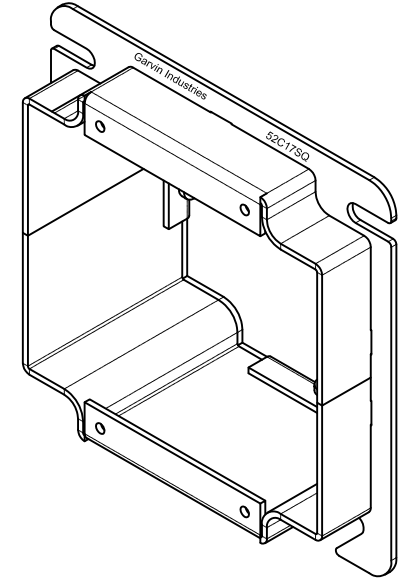
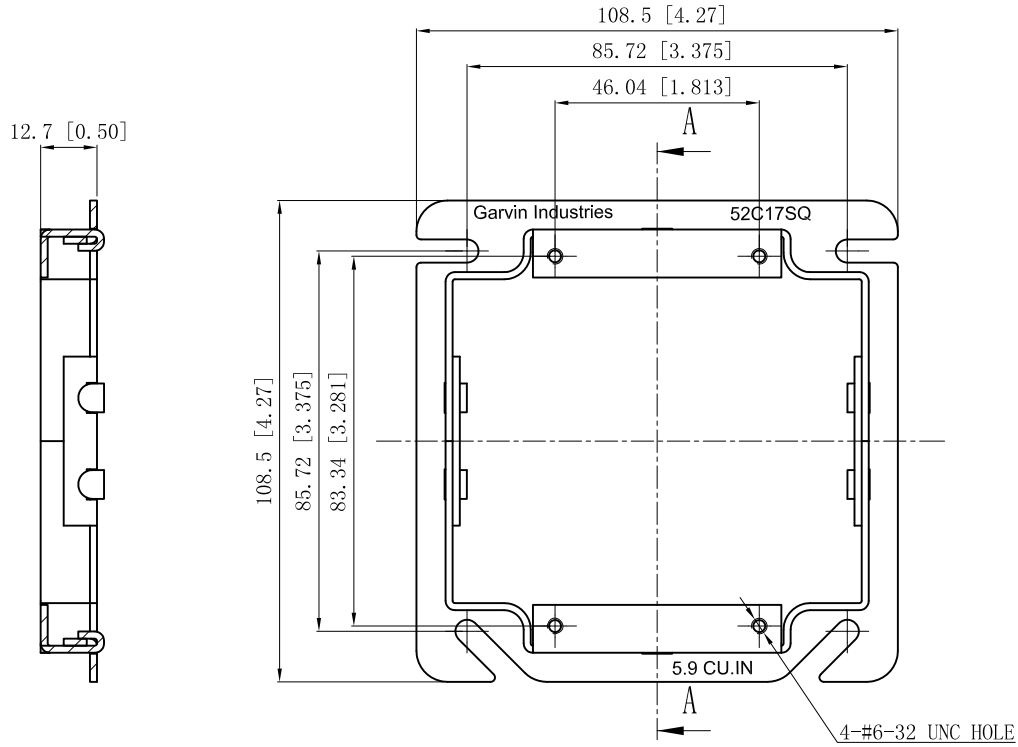


SIDES	BOTTOM
Material: Steel-0.0625"-G60 Galvanized	



CUTAWAY VIEW A-A

This data sheet is for reference only .GARVIN INDUSTRIES reserves the right to make changes to the design without prior notice.

DESCRIPTION
TRADE REFERENCE TERMS

STANDARD PACKING	<h1 style="text-align: center;">GARVIN INDUSTRIES</h1>		
25 PCS			
TITLE	4" SQUARE TWO-GANG DEVICE TILE COVERS		
SIZE	DWG NO.	REV	
A4	52C17SQ		
DATA SHEET			
www.garvinindustries.com			