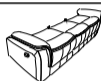
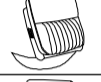
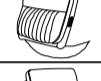
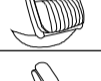
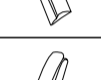



Thank you for purchasing this quality product. Be sure to check all packing materials carefully for small parts, which may have come loose during shipment. Identify and count all items and compare with the parts list shown below.

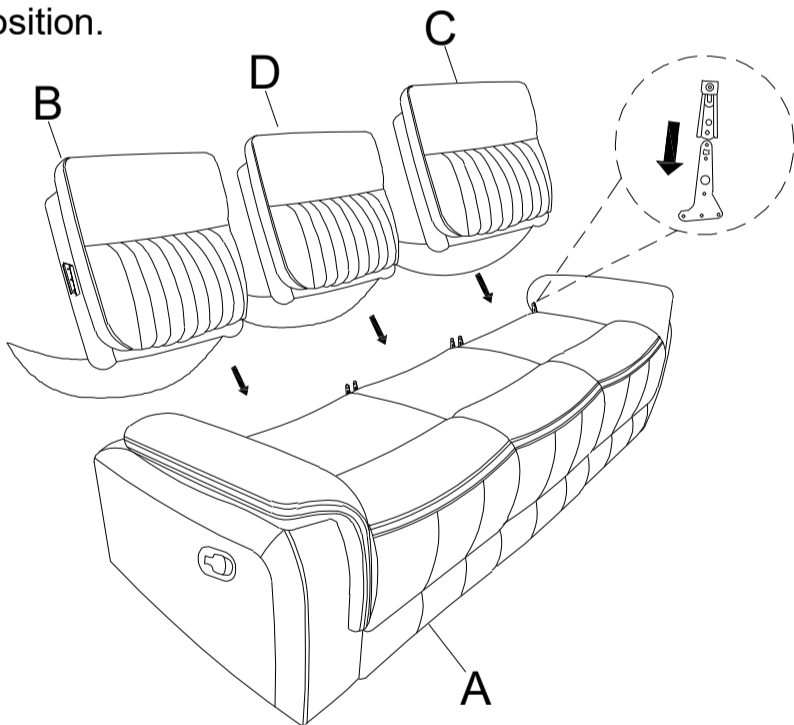
It is recommended to have two people during unpacking and assembling of the backs and base of the furniture out from the box.

Parts List			
NO.	DESCRIPTION	SKETCH	QTY
A	SEAT		1PC
B	LEFT SIDE FACING (LSF) BACKREST		1PC
C	RIGHT SIDE FACING (RSF) BACKREST		1PC
D	MIDDLE BACKREST		1PC
E	LEFT SIDE FACING (LSF) WING		1PC
F	RIGHT SIDE FACING (RSF) WING		1PC

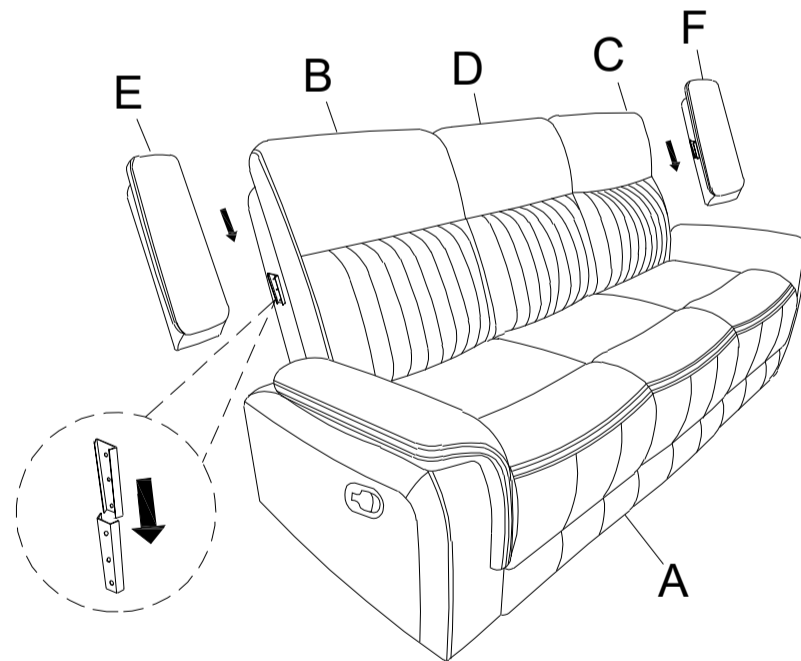
**WEIGHT CAPACITY (PERSEAT): 350 LBS**

## Please follow the drawings below to assemble the item

**STEP 1:** Install the LSF backrest (B), Middle backrest (D), and RSF backrest (C) by align and insert the metal bracket to the metal brackets of the seat (A). Please make sure the brackets are inserted all the way and secured into position.



**STEP 2:** Install the wings by inserting metal bracket on the LSF wing (E) into the metal bracket on the LSF backrest (B) and RSF wing into the metal bracket on the RSF backrest (C). Please make sure the brackets are inserted all the way and secured into position.



**STEP 3:** Complete

