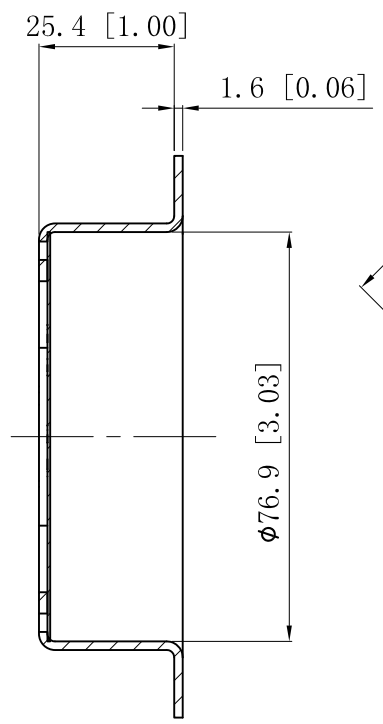
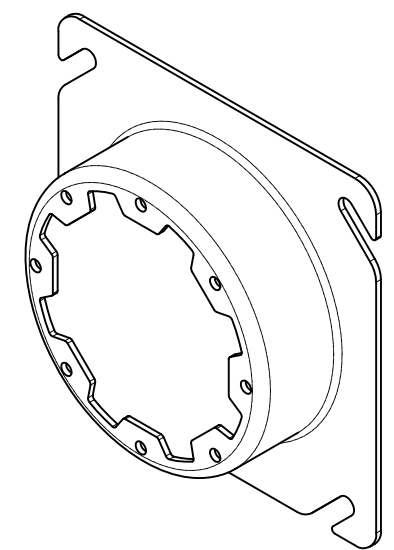
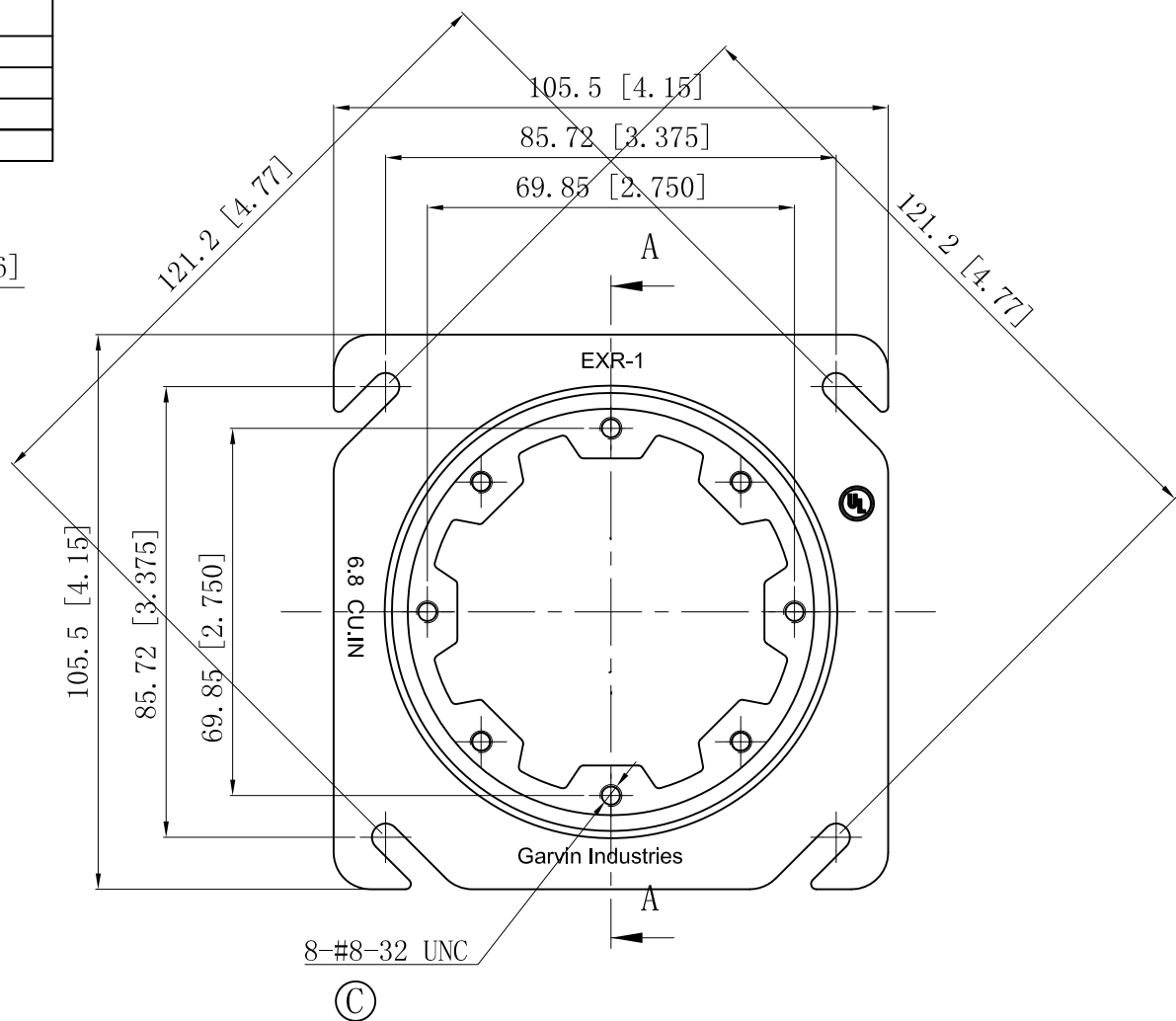


SIDES	BOTTOM
Material: Steel-0.0625"-(G60) Galvanized	



CUTAWAY VIEW A-A



This data sheet is for reference only .GARVIN INDUSTRIES reserves the right to make changes to the design without prior notice.

DESCRIPTION
TRADE REFERENCE TERMS

STANDARD PACKING
25 PCS

GARVIN INDUSTRIES		
TITLE 4" SQUQRE-TO-ROUND DEVICE RINGS		
SIZE A4	DWG NO. EXR-1	REV D
DATA SHEET		