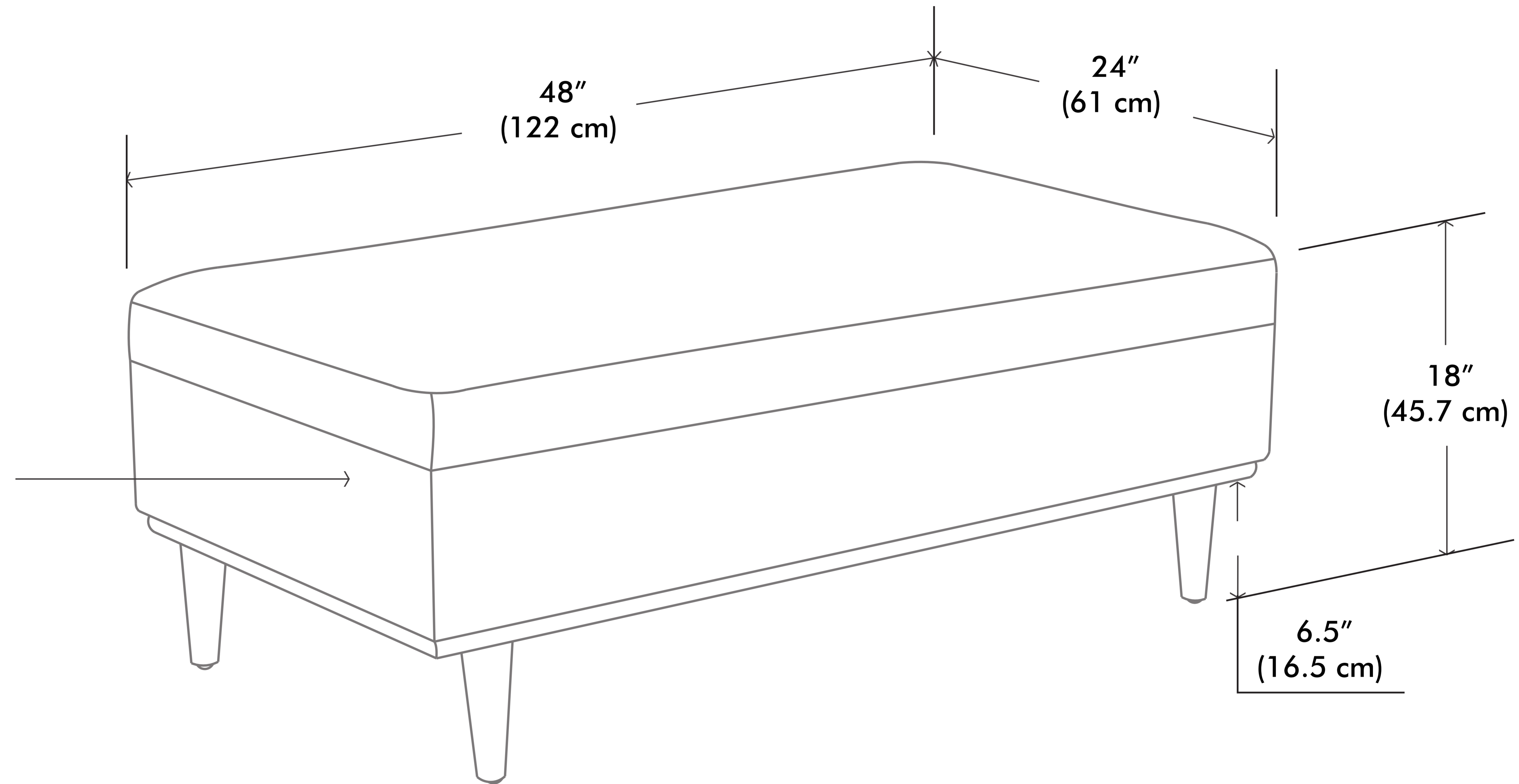
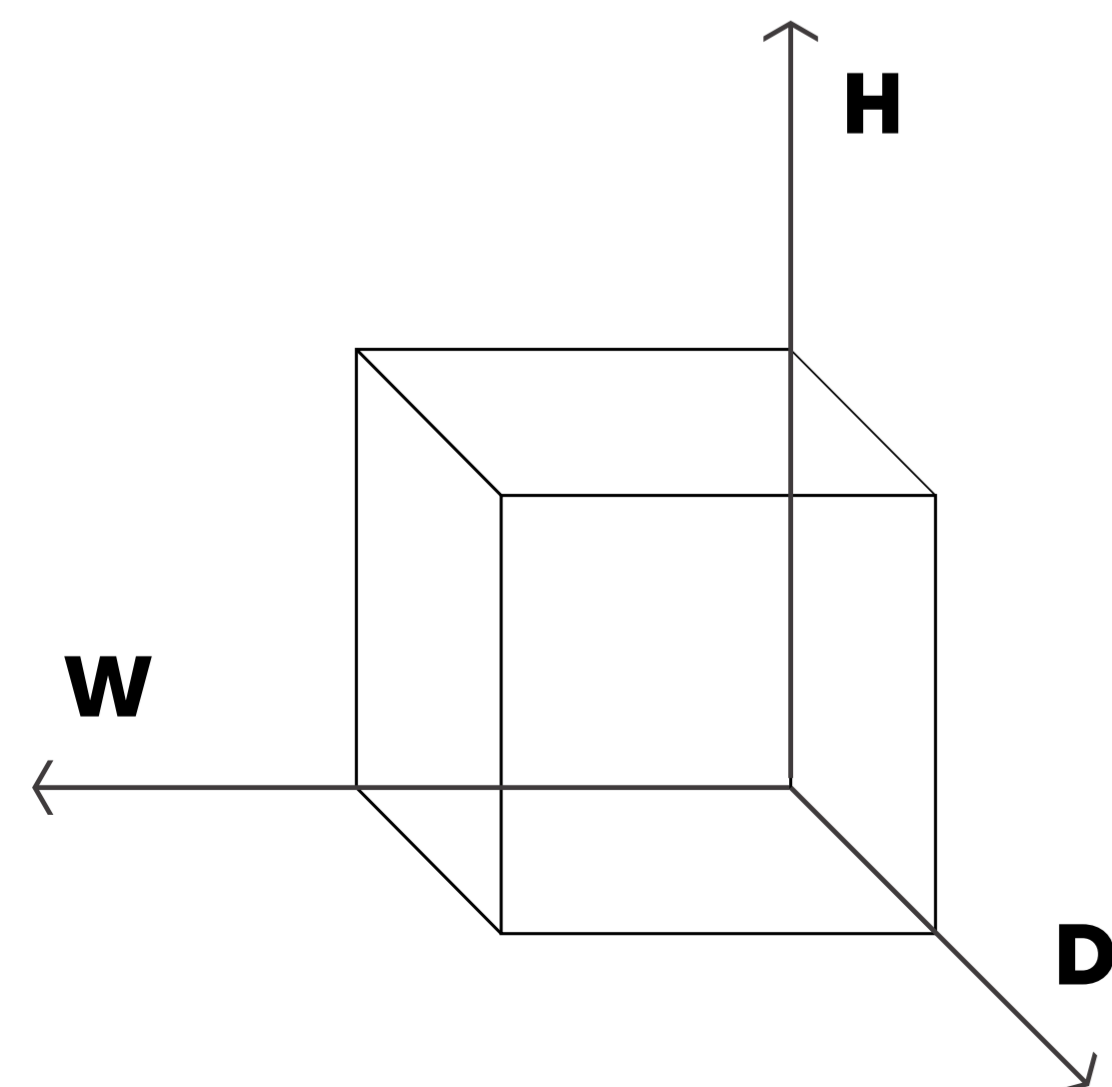


# Shiloh Rectangular Storage Ottoman



Inner dimensions :  
**W** - 44.1" / 112 cm  
**D** - 20.1" / 51 cm  
**H** - 6.1" / 15.5 cm



**Net weight: 57.3 lbs / 26 Kgs**