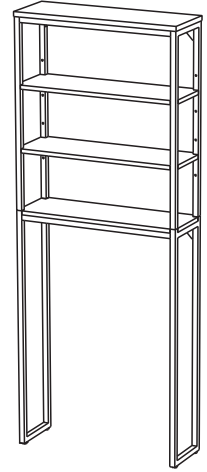


Over the Commode Stand



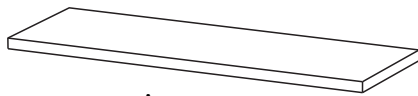
IMPORTANT

Carefully remove all the parts from the carton and place them individually on a soft cloth to prevent scratches or other damage.

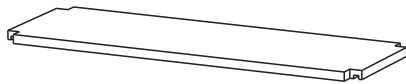
Carefully and strictly follow these assembly instructions to ensure a completed product as designed.

Do not use power tools above 8 volts to assemble.

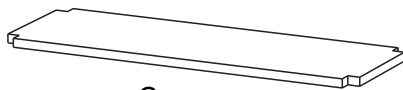
Part List



A.
Top
1 pc.



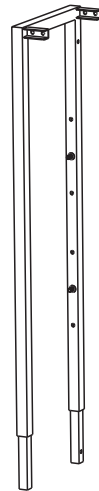
B.
Shelf
2 pcs.



C.
Shelf
1 pc.



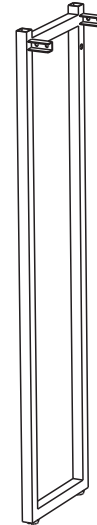
H.
Front Rail
2 pcs.



D.
Side Frame
1 pc.



E.
Side Frame
1 pc.



F.
Side Frame
1 pc.



G.
Side Frame
1 pc.

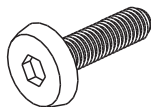


I.
Back Rail
2 pcs.

Hardware List



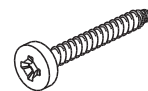
Hex Wrench
1 pc.



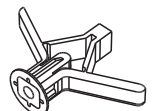
M6x16
Head Cap Bolt
32 pcs. (+1 extra)



Spring Washer
32 pcs. (+1 extra)



M3.5x40
Wall Screw
2 pcs. (+1 extra)



Anchor
2 pcs. (+1 extra)



Small Hex Wrench
1 pc.



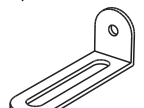
Flat Washer
24 pcs. (+1 extra)



Flat Washer (large)
8 pcs. (+1 extra)



Adjustable Pin
8 pcs. (+1 extra)



Bracket
2 pcs. (+1 extra)

Tool(s) required for assembly: Phillips screwdriver, Level, Pencil, Drill (8 volts or less), 3/8" Drill Bit

homestyles Customer Service: www.homestylesfurniture.com,
servicedesk@homestylesfurniture.com, 888-680-7460

Assembly Instructions 2/6

IMPORTANT

- Use a soft cloth between these parts and the floor.
- Do not use power tools above 8 volts to assemble.
- Do not tighten all the bolts until each part is properly assembled.
- The unit must be level to work properly. Use the included adjustable levelers to level.
- Keep Hex Wrench as the bolts may need to be tightened in the future.

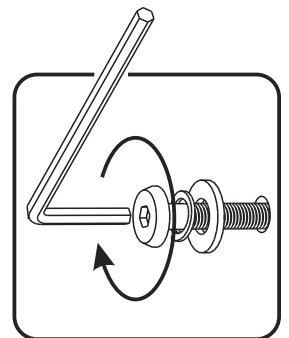
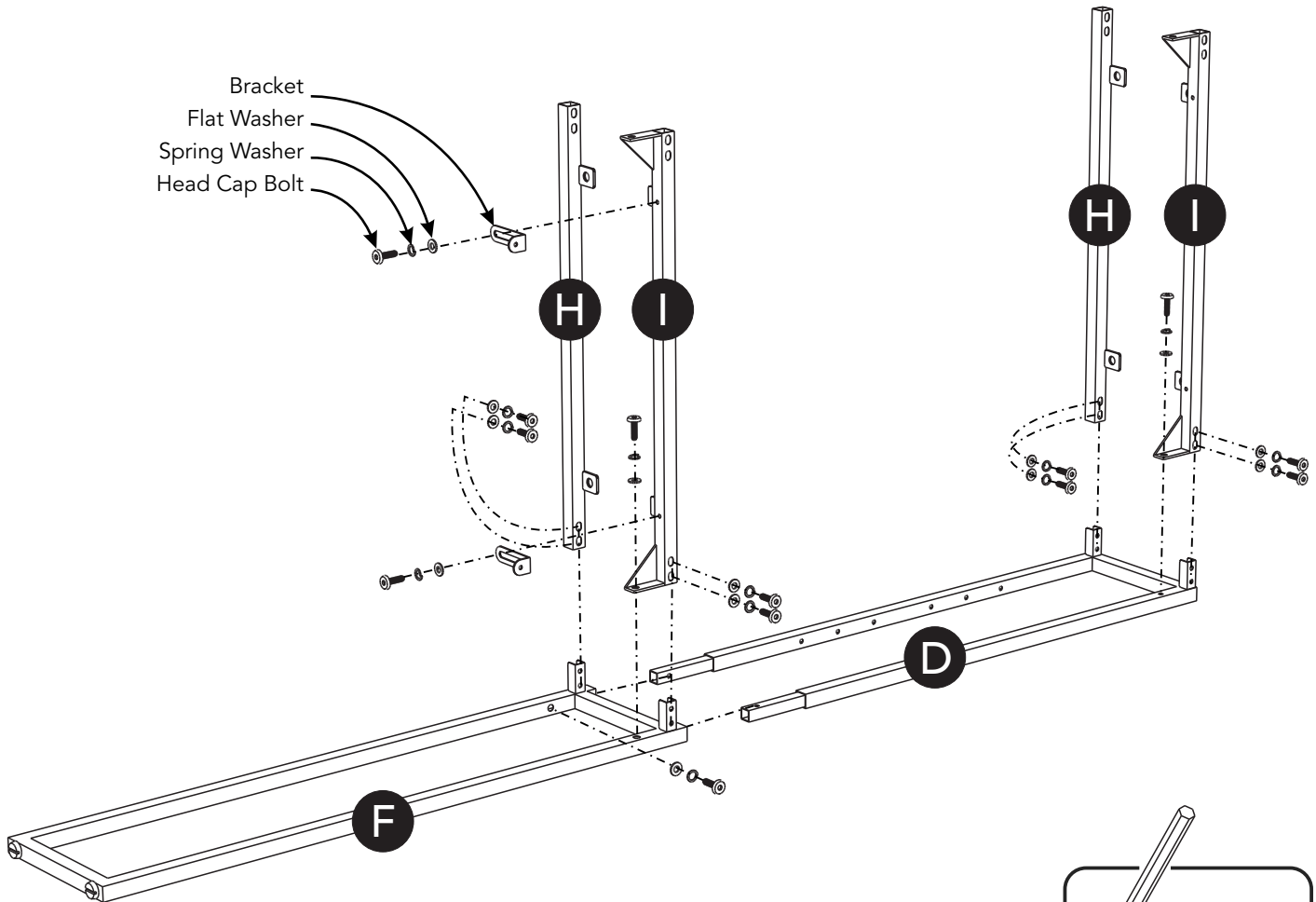


Figure 1

STEP 1

Attach Side Frame (D) to Side Frame (F) with Flat Washer, Spring Washer and Head Cap Bolt, tightening bolt only halfway.
(See Figure 1)

Attach Brackets to Back Rail (I) with Flat Washers, Spring Washers and Head Cap Bolts.
(See Figure 2)

Attach Front Rails (H) and Back Rails (I) to unit with Flat Washers, Spring Washers and Head Cap Bolts, tightening bolts only halfway.

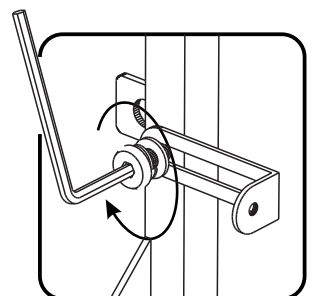
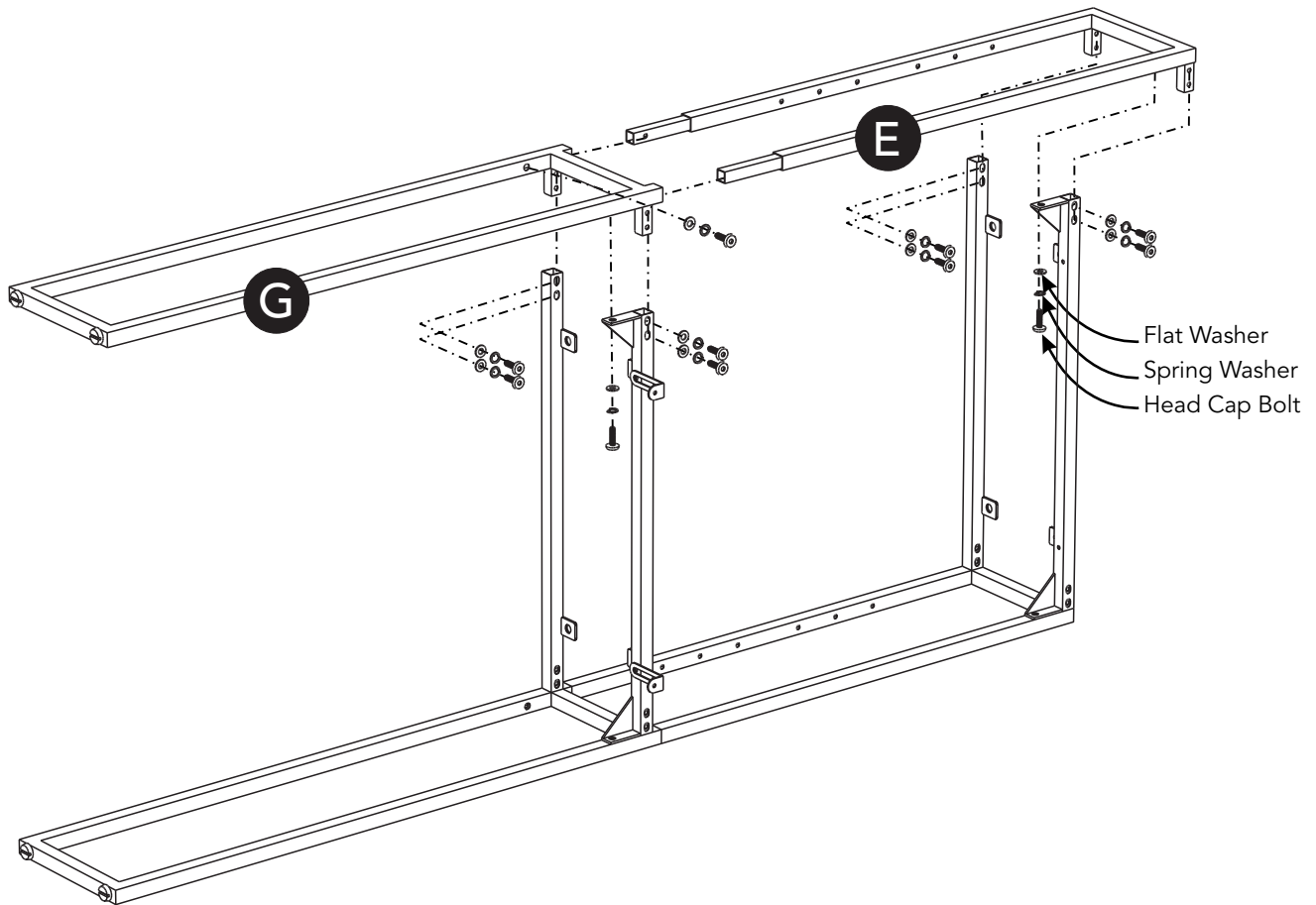


Figure 2

Assembly Instructions 3/6

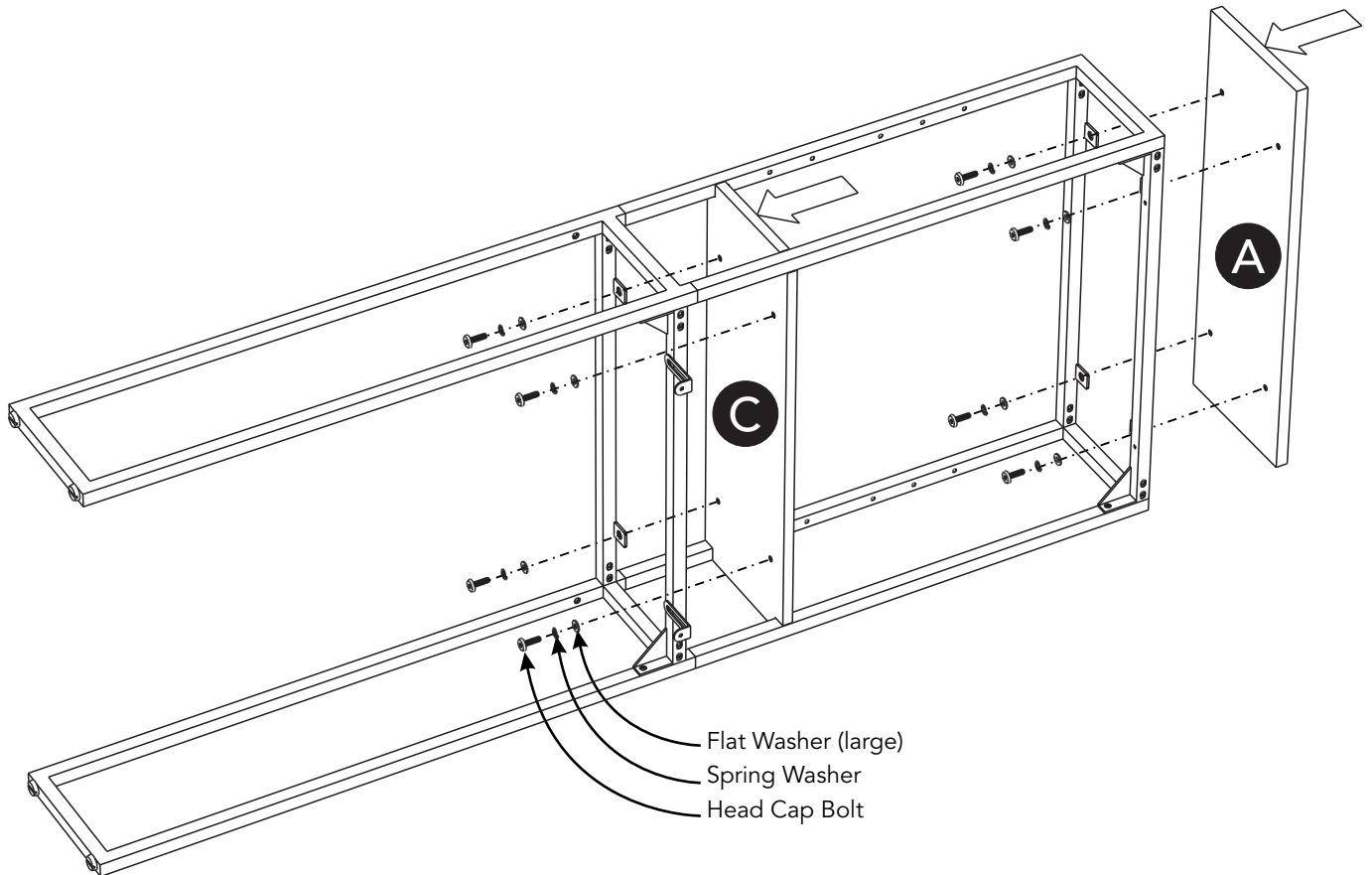


STEP 2

Attach Side Frame (E) to Side Frame (G) with Flat Washer, Spring Washer and Head Cap Bolt, tightening bolt only halfway.

Attach unit to unit from Step 1 with Flat Washers, Spring Washers and Head Cap Bolts, tightening bolts only halfway.

Assembly Instructions 4/6



STEP 3

Attach Top (A) and Shelf (C) to unit with Flat Washers (large), Spring Washers and Head Cap Bolts, tightening bolts only halfway.

Tighten all bolts used in all steps.

Assembly Instructions 5/6

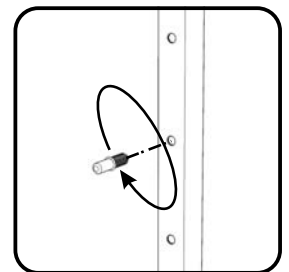
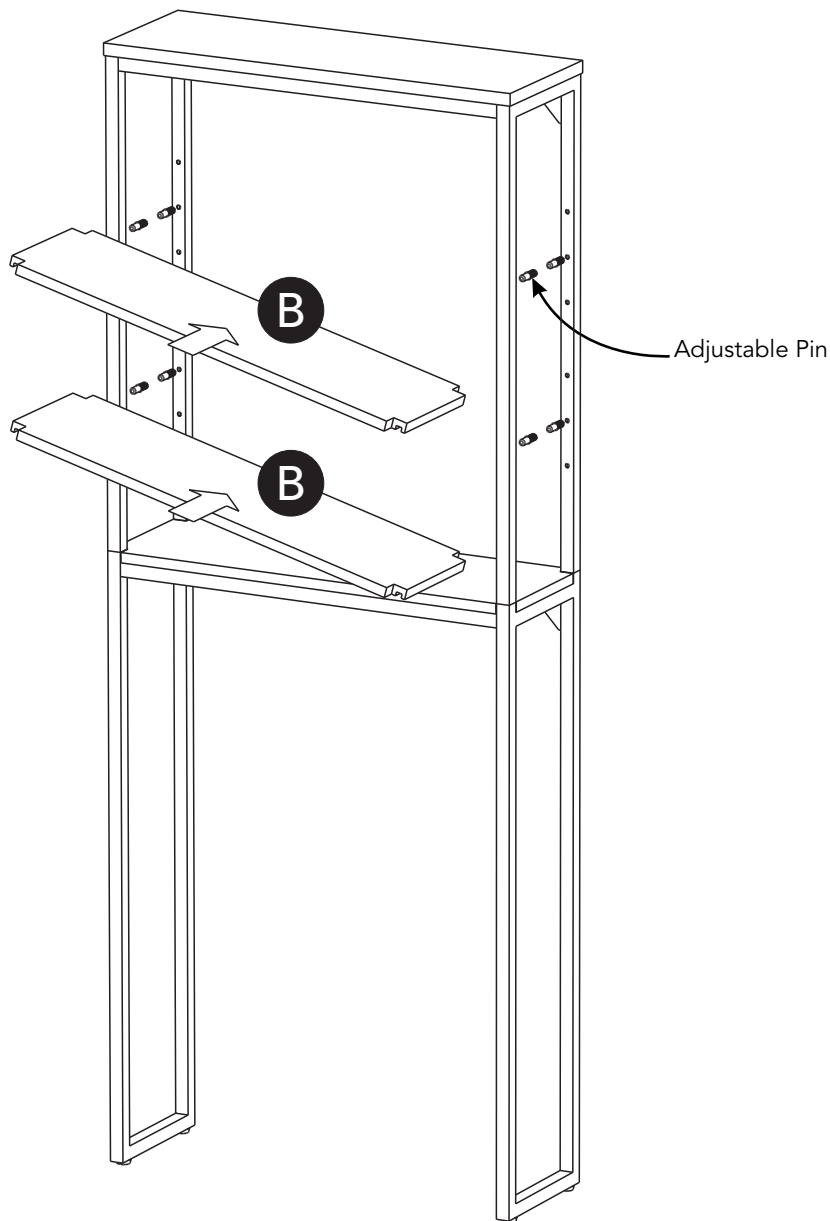


Figure 3

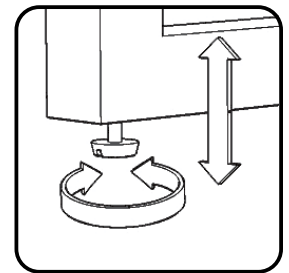


Figure 4

STEP 4

Turn unit to its upright position.

Insert Adjustable Pins into unit at desired level. (See Figure 3)

Place Shelves (B) into position.

Level unit by adjusting the adjustable levelers on bottom of unit. (See Figure 4)

Note: Unit must be level to work properly.

Assembly Instructions 6/6

IMPORTANT

- To help reduce the risk of the unit tipping over, the Tipover Restraint must be installed following these instructions exactly.

STEP 5

Place unit at desired location.

Loosen slightly Head Cap Bolts attaching Brackets to unit.

Slide Brackets to wall, then retighten Head Cap Bolts.

Mark wall with pencil through holes in Brackets. (See Figure 5)

Move unit.

Drill 3/8" holes in wall at marks, then insert Anchors into the wall holes. (See Figure 6)

Move unit back into place.

Attach unit to wall with Wall Screws through Brackets. (See Figure 7)

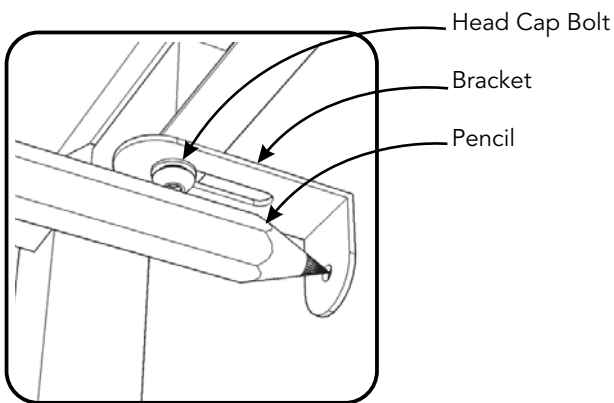


Figure 5

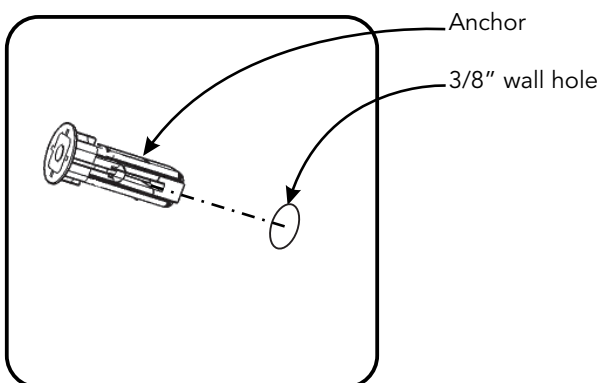


Figure 6

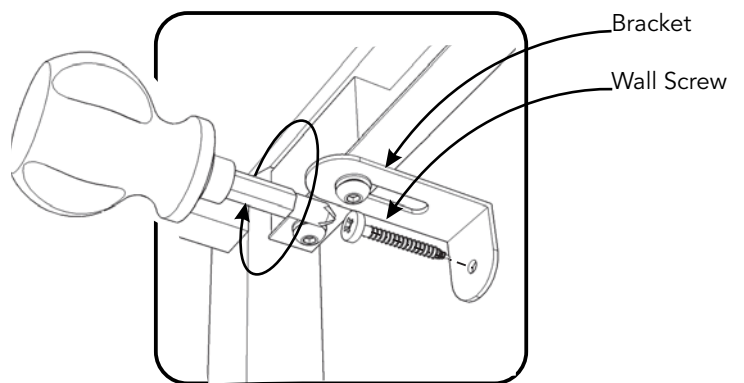
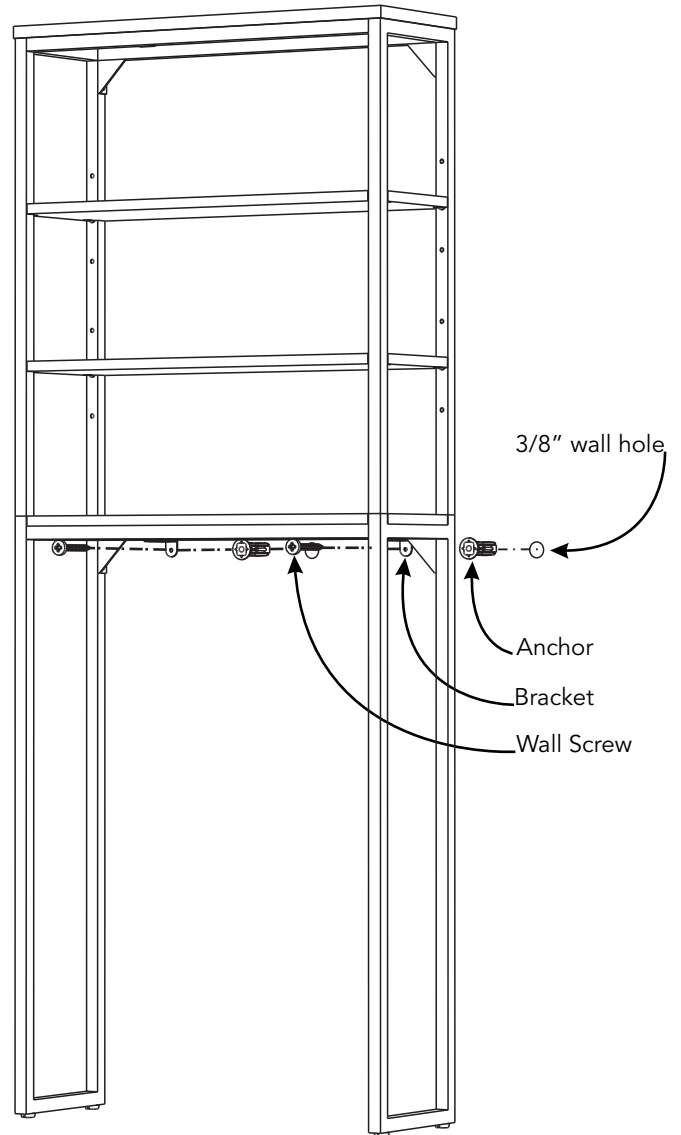


Figure 7



CARE INSTRUCTIONS

NEVER

allow liquids to remain on furniture.
Absorption causes parts to warp
and split and finishes to delaminate.

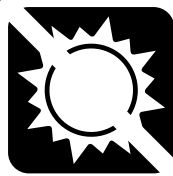
NEVER

use glass cleaners on
finished furniture. Ammonia
chemically attacks the finish.



Do not use power tools
above 8 volts to assemble.

**PREVENT
CRACKING**



Do not place
in direct sunlight.

**PREVENT
FADING**



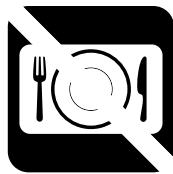
Do not write
directly on surface.

**PREVENT
MARKING**



Do not place hot
objects on surface.

**PREVENT
FINISH DAMAGE**



Do not use rubber
based placemats.

**PREVENT
DISCOLORING**

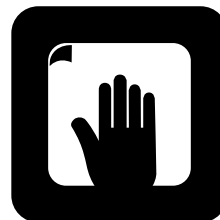


Do not use commercial
waxes and polishes.

**PREVENT
YELLOWING**

CLEAN

with a soft cloth moistened
in lukewarm soap and water.
Buff with a dry clean cloth.



homestyles will provide replacements free of charge for missing or damaged parts within 1 year of purchase. Digital images of the defective parts may be required. If the product was not purchased from an authorized retailer, **homestyles** is under no obligation to provide replacement parts. Parts are not available for fully assembled items nor are parts available for sale. Replacements for missing or damaged parts may be requested via contact info below.

homestyles Customer Service: www.homestylesfurniture.com,
servicedesk@homestylesfurniture.com, 888-680-7460