



Fantasy Fields
by TEAMSON™

Item No: TD-12890A

Fantasy Fields - Swan Lake Vanity Table & Stool Set

WARNING

Small parts and sharp points may be present prior to assembly.

CARE INSTRUCTIONS

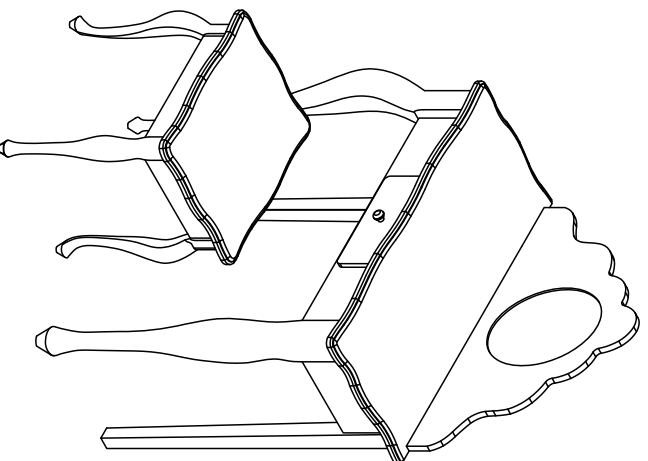
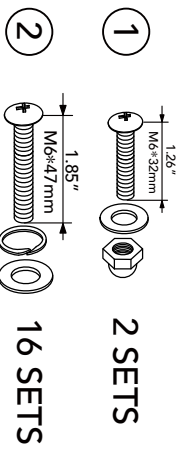
To clean your product, use mild soap and water on a damp cloth. Do not use window cleaners or cleaning abrasives as they will scratch the surface and could damage the protective coating.

CUSTOMER SERVICE

For questions regarding this product, or to receive replacement or missing parts, please contact customer service based on your location. Please have ready the model number and part number(s) located in this assembly instruction sheet when you contact us.

Made in China

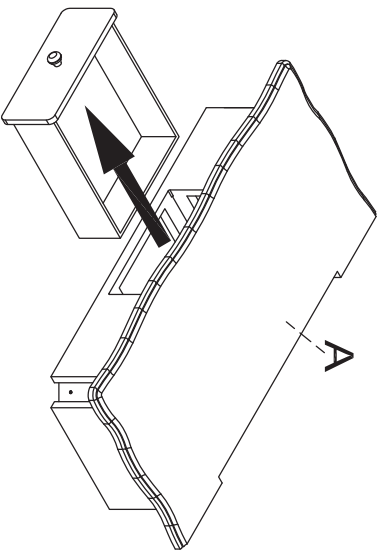
HARDWARE



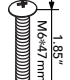

PRODUCT PARTS

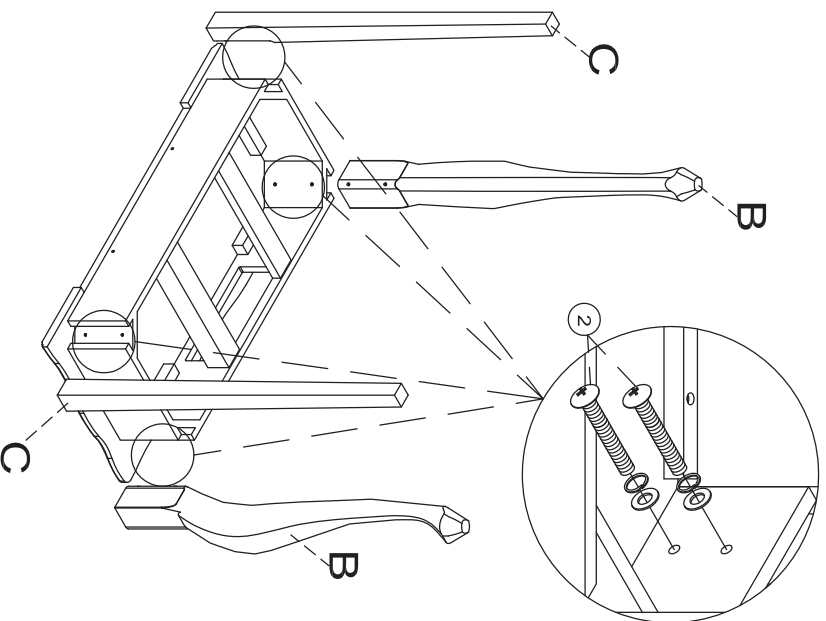
A	B	C	D	E	F
1PC	2PCS	2PCS	1PC	1PC	4PCS

STEP 1

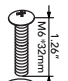



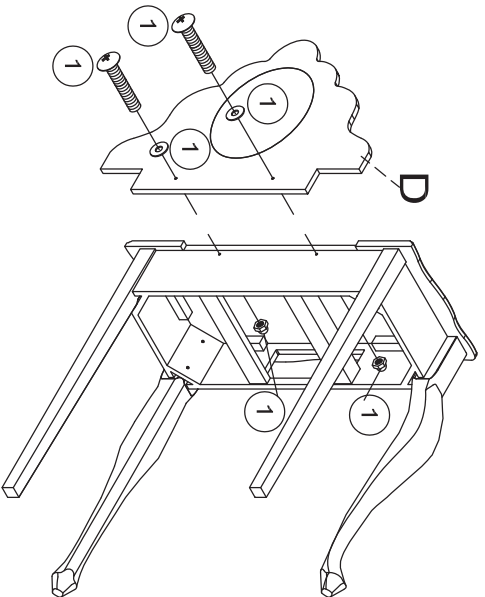
STEP 2

②  1.85"  8SETS

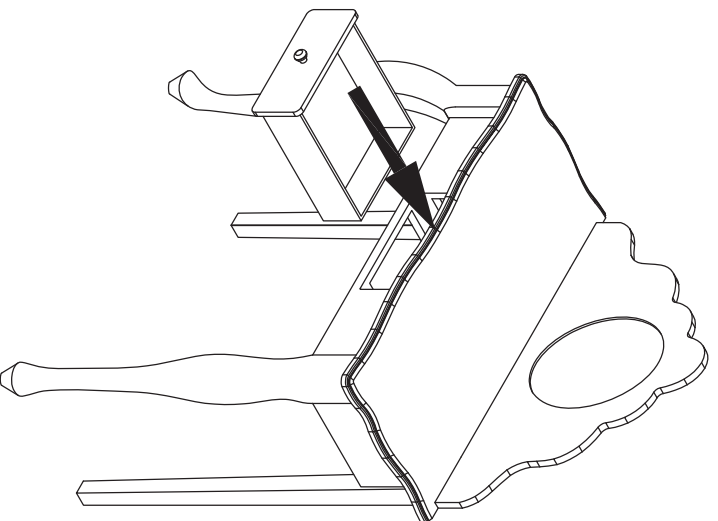


STEP 3

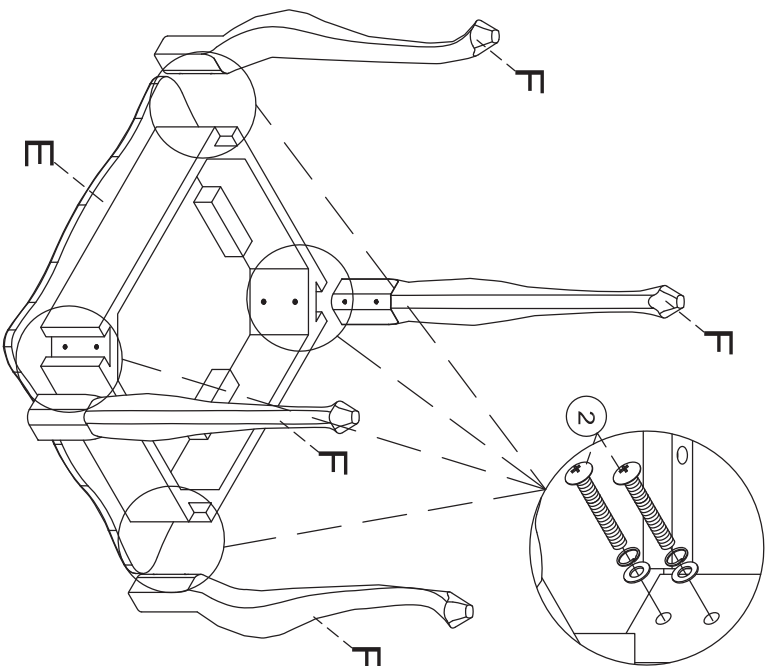
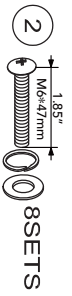
①  1.26"  2SETS



STEP 4



STEP 5



STEP 6

