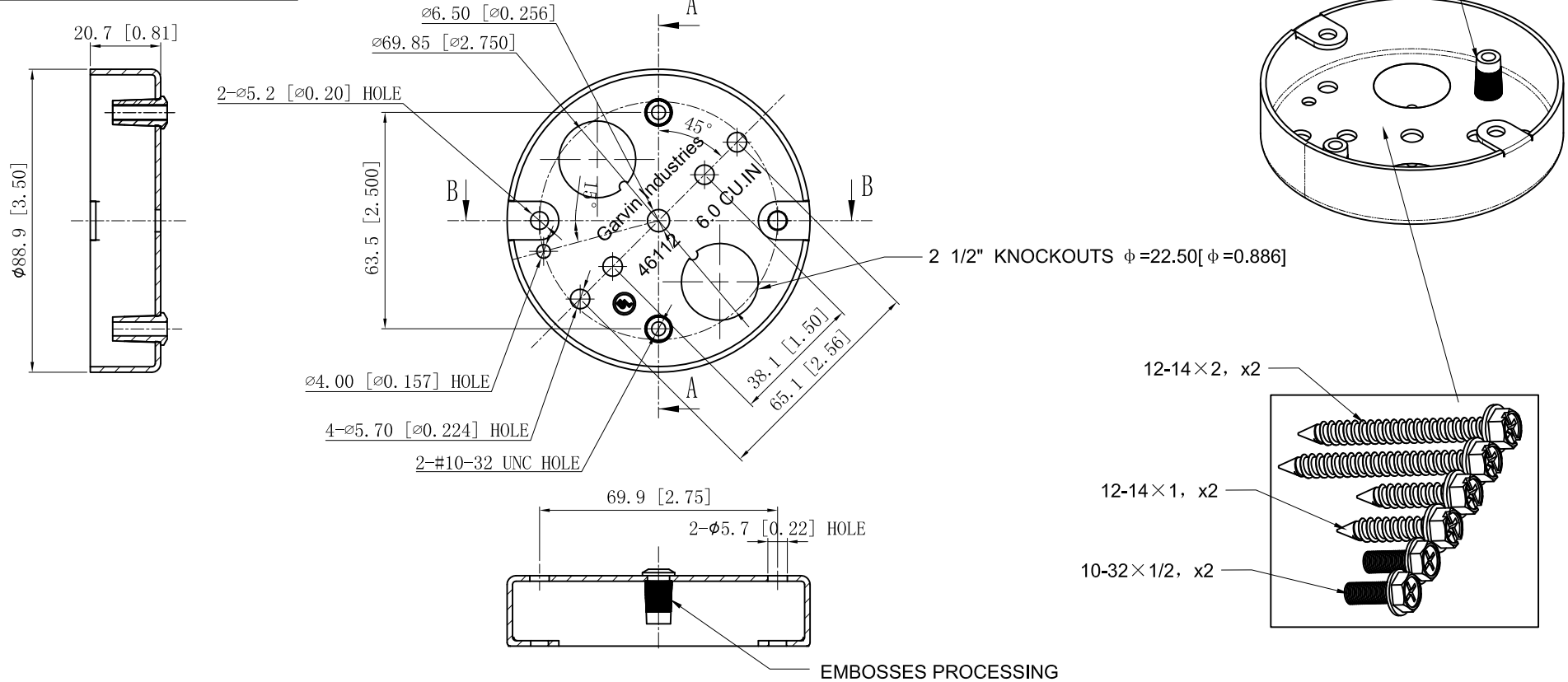


SIDES	BOTTOM
	5 1/2" KNOCKOUTS
2 PCS #12-14x2 Screws pack in poly separately	
2 PCS #12-14x1 Screws pack in poly separately	
2 PCS #10-32x1/2 Screws pack in poly separately	
Material:Steel-0.0625"-G60 Galvanized	



This data sheet is for reference only .GARVIN INDUSTRIES reserves the right to make changes to the design without prior notice.

DESCRIPTION
TRADE REFERENCE TERMS

STANDARD PACKING	<h1 style="text-align: center;">GARVIN INDUSTRIES</h1> <h2 style="text-align: center;">"3-1/2" ROUND CEILING PLATES&FAN BOX</h2>		
50 PCS			
SIZE	DWG NO.		REV
A4	46112		B
DATA SHEET			