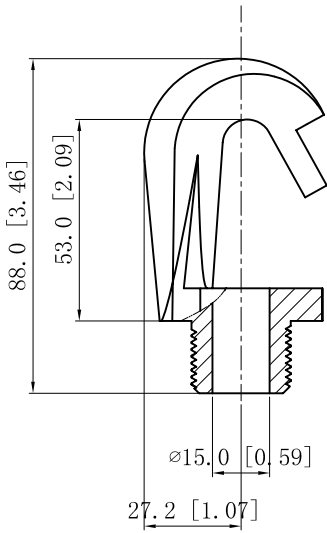
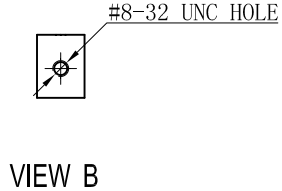
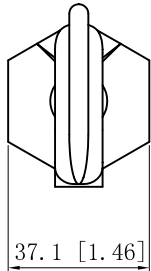
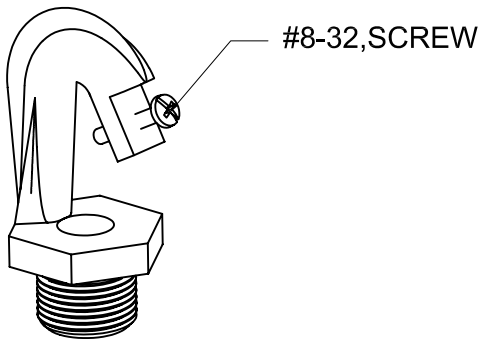
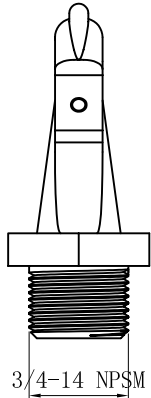


SIDES	BOTTOM
1 PCS #8-32×1 Screw install, stainless steel	
Material:Steel-ZAMAK 3	



B



DESCRIPTION
TRADE REFERENCE TERMS

This data sheet is for reference only .GARVIN INDUSTRIES reserves the right to make changes to the design without prior notice.

STANDARD PACKING	<h1>GARVIN INDUSTRIES</h1>		
25 PCS			
TITLE	HOOKS		
SIZE	DWG NO.	CPMH1	REV
A4		DATA SHEET	