


COZY FARMHOUSE PUMP AND BARRELS OUTDOOR FOUNTAIN WITH LED LIGHTS XSS-424

Read the assembly instructions carefully and follow the care instructions. Save these instructions for future reference.

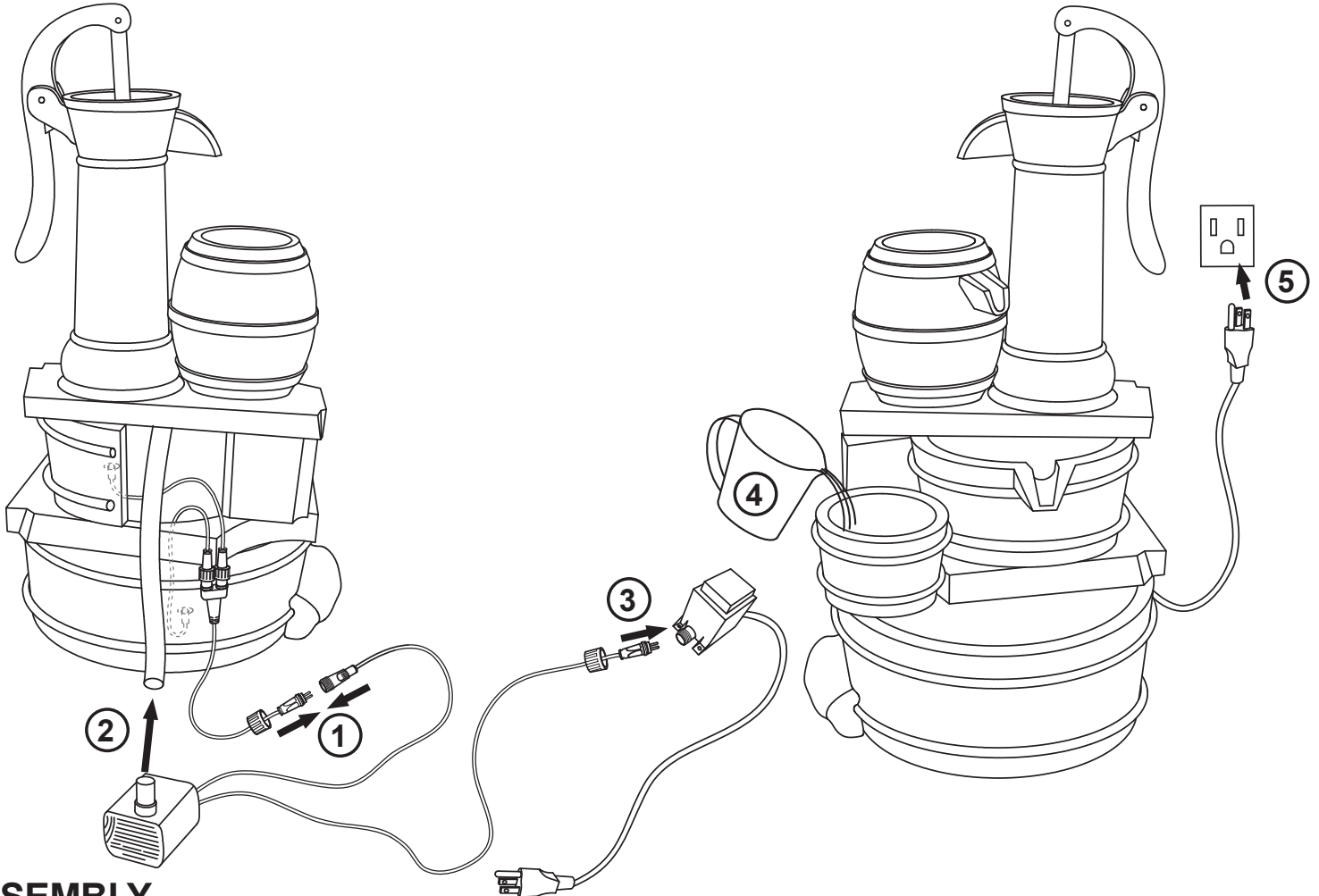
Assemble on a soft, clean surface to avoid scratching or damaging the finish. Select a smooth, level surface to place the fountain.

PARTS	QTY.
Fountain	1
Electric Submersible Pump	1
AC Adapter	1



Ensure all parts are accounted for before disposing of packaging.

NOTE: The water tubing is built into the fountain. Take care when handling the water tube; detaching the water tube from the fountain will damage the fountain and may void the product warranty.



ASSEMBLY

1. Locate the light cables inside the fountain and firmly connect them to the shorter cable on the pump.
2. Connect water tube (pre-assembled inside the fountain) to the pump and place the pump inside the fountain.
3. Run the pump power cable out through the back of the fountain and firmly connect it to the AC adapter.
4. Fill the fountain with enough water to keep the pump fully submerged during operation, approximately 4600 mL.
5. Plug the power cord into a properly grounded GFCI outlet.

Note: When first used, there may be air in the pump. It may take several minutes for trapped air to escape, allowing water to flow.

⚠ IMPORTANT INFORMATION ⚠

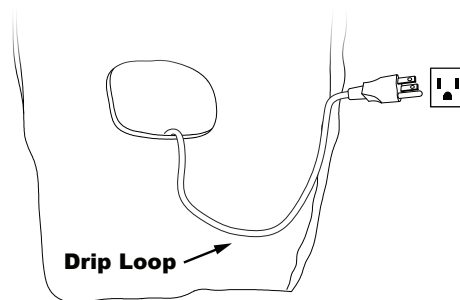
Over time, the paint finish may gradually mellow in color; this is part of the natural aging process.

USE & CARE

- For outdoor use only.
- Check the water level frequently to ensure the pump remains fully submerged; never allow the pump to run dry as it will burn out the motor.
- Only use water in this fountain. Distilled water will help prevent mineral buildup but is not required, avoid heavily chlorinated water as it may damage the fountain and pump.
- Periodically change the water to reduce scale and buildup — clean the fountain and pump regularly for optimal performance and appearance.
DO NOT use harmful additives such as bleach, chlorine, etc.
DO NOT use a pressure washer or abrasive materials to wash the fountain.
- Always shut off the power supply before cleaning and maintaining the fountain and the pump.
- Take care when handling the pump; only pick it up by the body, never by the power cord.
- During freezing temperatures, drain the fountain, disconnect the pump and store indoors; allowing ice to form may crack the fountain and will damage the pump.

TROUBLESHOOTING

- Ensure that the pump is fully submerged at all times; add water to the reservoir if necessary.
- If water is not flowing within several moments of the fountain being plugged in, the pump may have trapped air which can prevent water from circulating properly. Simply unplug the power supply for a few moments and plug it back in.
- Check the pump and tubing for obstructions.
- Some splashing is normal; adjust the flow rate on the body of the pump to achieve the desired flow rate.
- If lights are not working, ensure the cables are fully connected and the plastic collars are adequately tightened; do not over-tighten the collars.
- Check to make sure the power outlet is working; if in doubt about electrical connections, consult a certified electrician.
- Prevent water loss and damage to electrical sockets by creating a drip loop. Place the pump in the reservoir, then drape the cord over the edge where the cord exits the fountain, ensuring the power cord remains below the wall outlet. See diagram below for reference.



If you are still experiencing issues, please contact our customer service team through one of the methods mentioned at the top of page 1. To expedite response time, please have the item number and order information available.

Any modification or failure to follow the recommended care will void the product warranty.

⚠ WARNING!

Manufacturer and seller expressly disclaim any and all liability from personal injury, property damage or loss, whether direct or indirect, or incidental, resulting from the incorrect attachment, improper use, inadequate maintenance, or neglect of this product.